

## Installation Instructions for Quick Attach Firmer Tails – 140044, 140045 and 140100

Compatible with Quick Attach Brackets 150109, 150110, 150111, and 150120

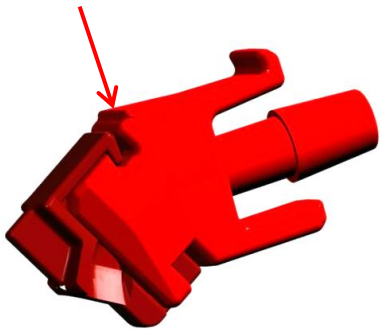
**Note:** All quick attach tails are capable of applying liquid, if liquid will not be applied through the tail skip to step 2.

### 1) Liquid Tubing Installation

- a) Locate the ¼" tubing, liquid insert, and splitter (if applicable).

**Note:** The classic insert has the splitter installed. It can be removed if a single stream is desired. The updated inserts are separate split and single stream. See Illustration 1.

Classic Liquid Insert (Splitter pre-installed)



Updated Split Stream and Single Stream Inserts

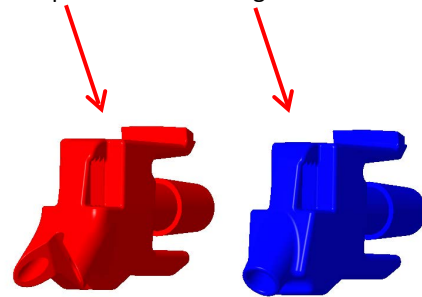


Illustration 1– Liquid Insert

- b) Install the liquid insert assembly into one end of the ¼" tubing. Refer to Illustration 2.

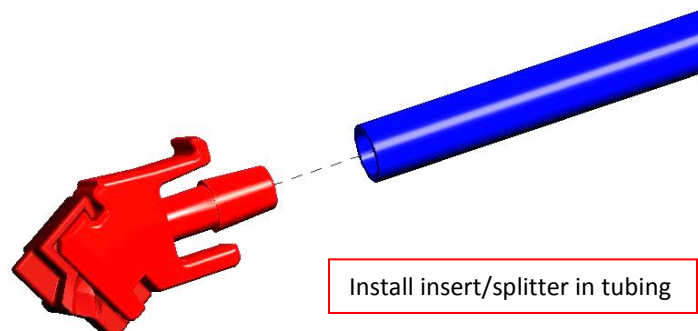


Illustration 2– Insert Assembly Installed in Tubing

- c) Slide the other end of the tubing through the bottom opening of the tail. Continue feeding the tubing up through the tail, securing it with the two sets of molded hooks. Finish by sliding through the open hole at the top of the tail. Refer to Illustration 3.

**Note: Do not install the insert into the tail first and then attach the liquid tubing to the insert. There will not be sufficient leverage to install the tubing over the barb on the insert and the tubing will bind.**

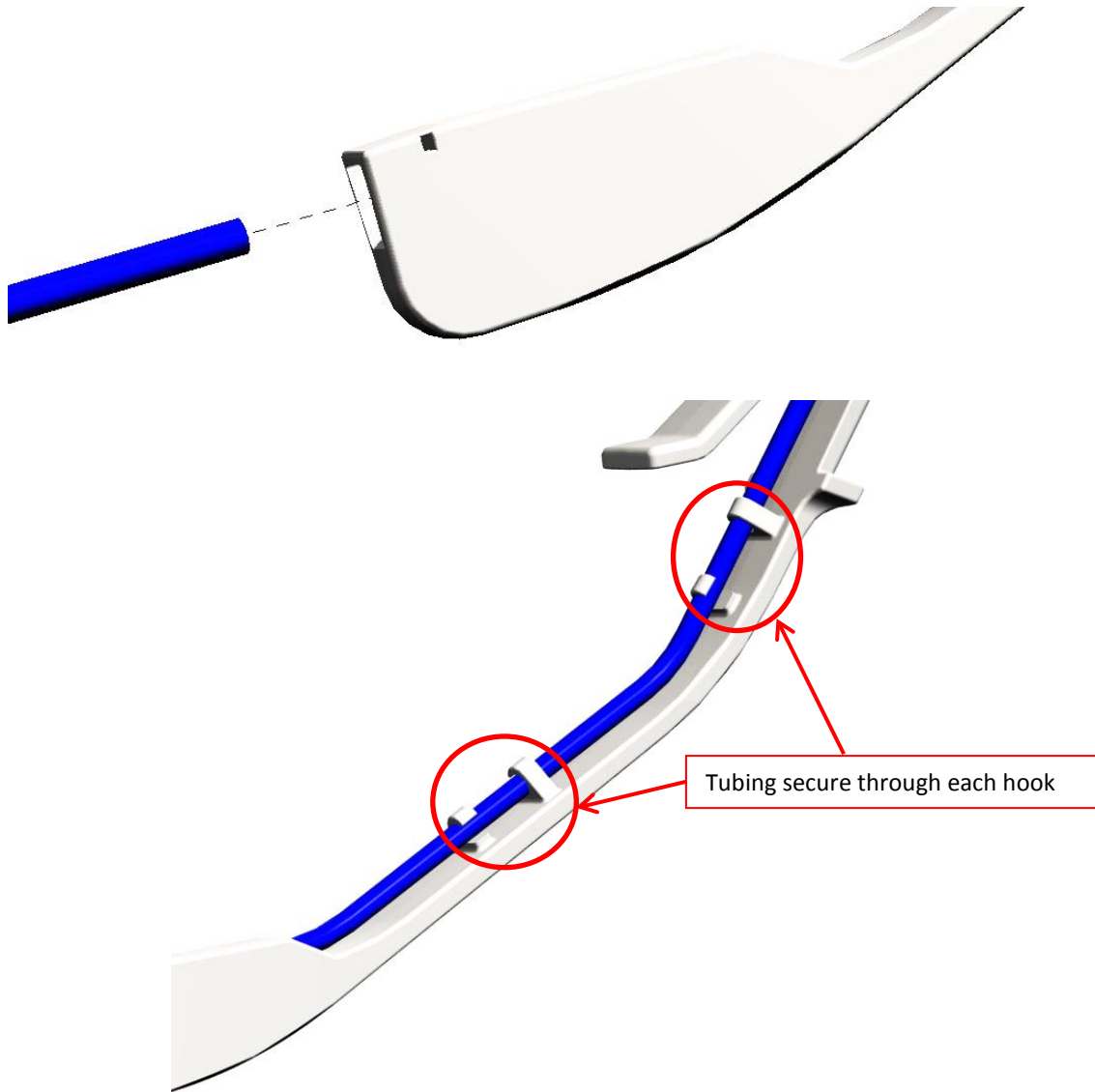


Illustration 3 – Liquid tube routing

- d) Snap the liquid insert into the open area at the bottom of the tail. Refer to Illustration 4. To remove the liquid insert, push a small flat head screw driver (or similar tool) into one of the openings on the side of the tail and pop the insert out.

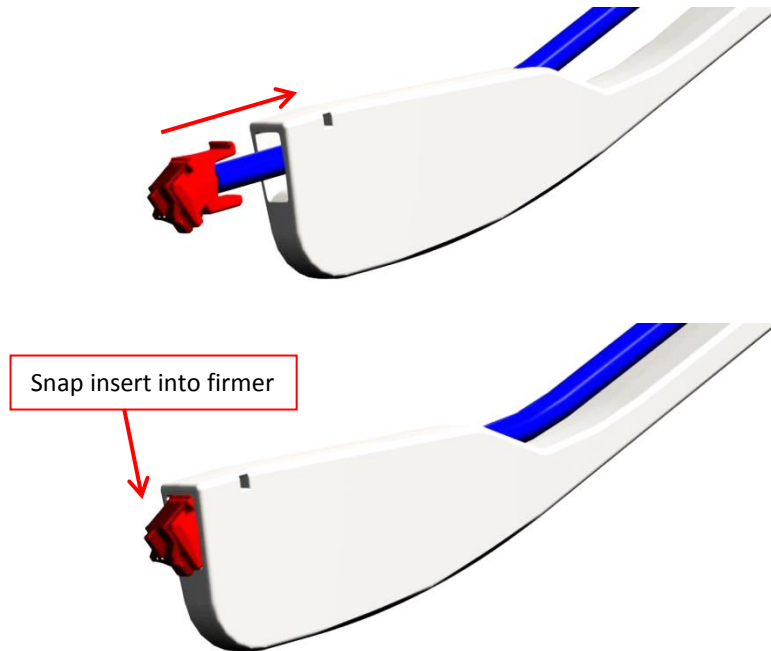


Illustration 4 – Insert installed in firmer

- e) Use the 2" long splice to connect the firmer liquid tubing to the liquid supply line from the manifold.

## 2) Tail Installation and Removal

- a) Insert the tail into the rear opening on the quick attach bracket. A snap should be heard when fully installed. Pull on the tail to make sure it is securely installed. Refer to Illustration 5 on following page.

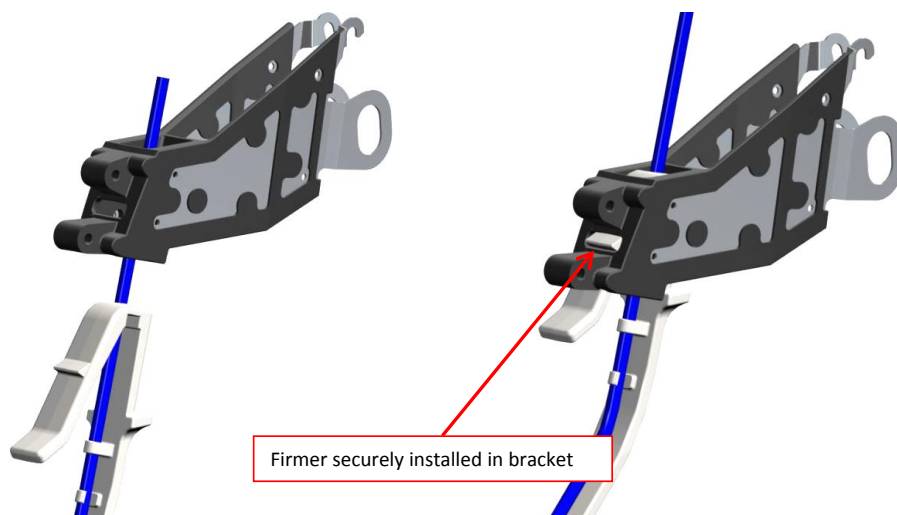


Illustration 5 – Firmer installed in bracket

- b) To remove the tail, simply depress the tab on the tail and pull down and out of the bracket. If dirt/debris has built up within the release mechanism, move back and forth while depressing the tab to release.

As noted above, all quick attach tails have the ability to apply liquid. The new splitter has a larger diameter and can apply much higher rates than the previous splitter model.

- **An in-line orifice must be installed on each row to regulate flow to each row**
- **Orifice sizes should be determined by calibrating the planter and utilizing manufacturer's charts and calculators for target application rate**

**Note:** Backing up without the planter fully lifted can result in damage to the firmer. To prolong tension, the firmers should be stored not touching the ground between planting seasons.

**Low Stick Wear Indicator:** When the sides and bottom of the tail have worn to the wear indicator shown below, the tail should be replaced.



Replace immediately when either side or the bottom of the tail has worn to the wear indicator.

