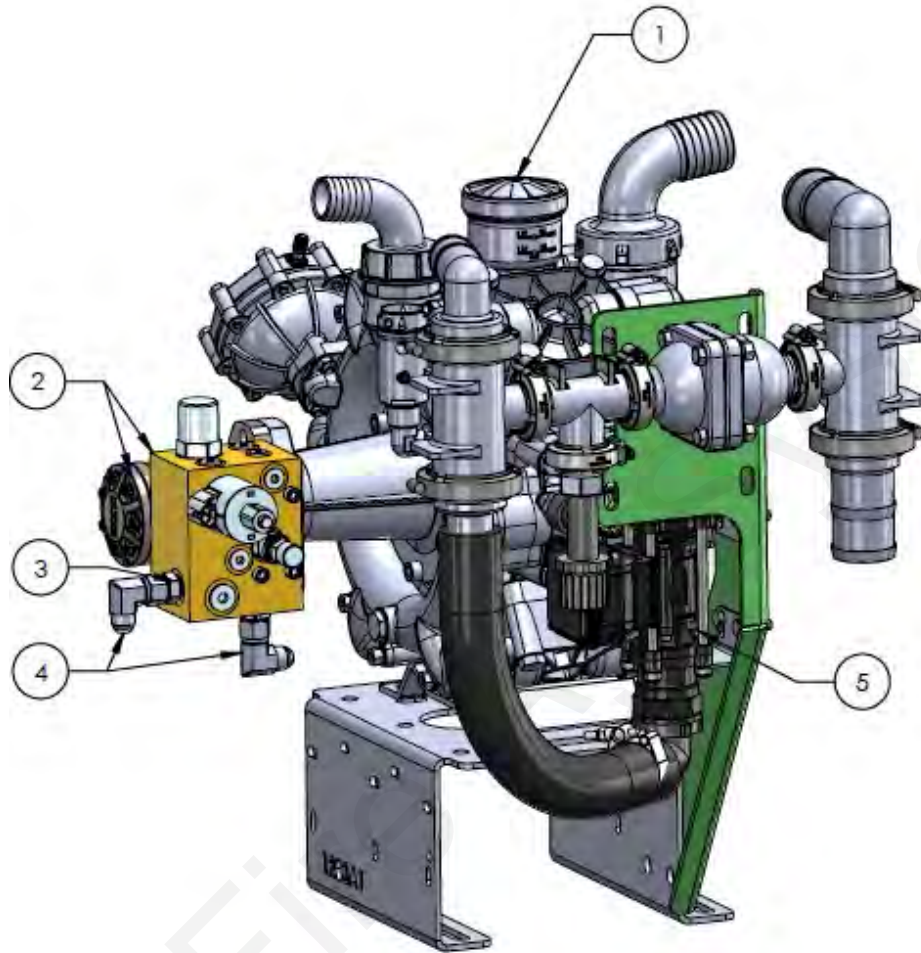


AR D250 Assembly and Part Breakdowns

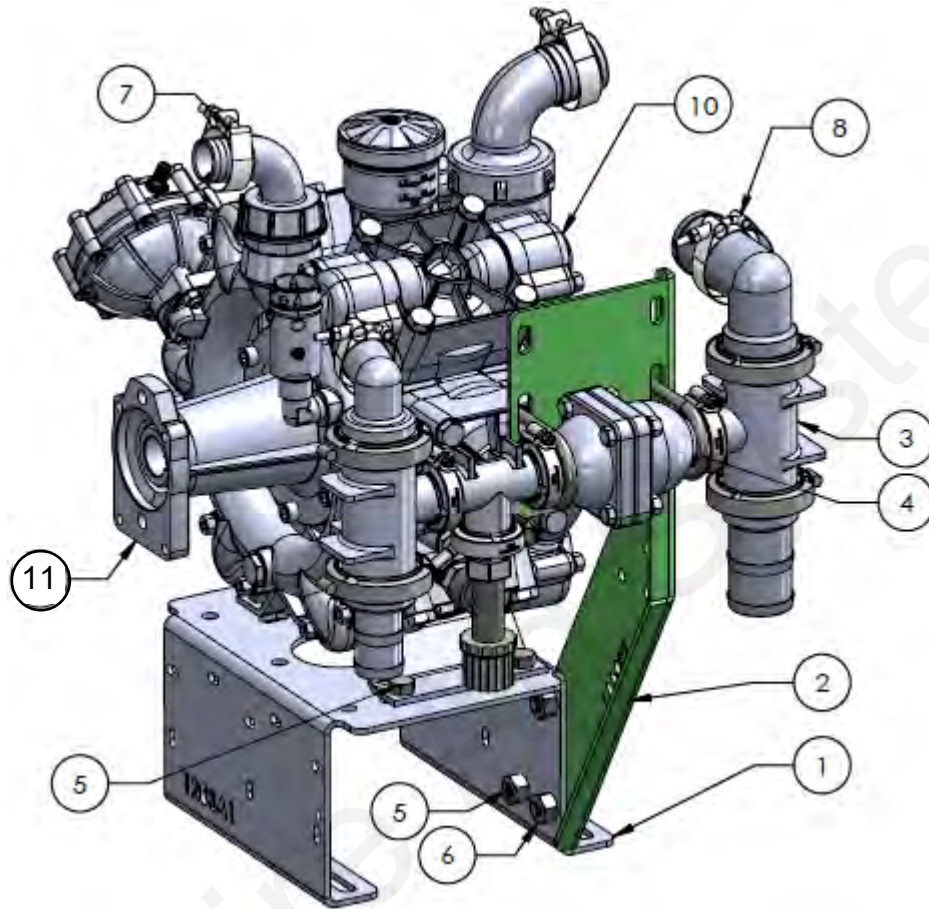
Complete D250 Pump Assembly w/ Hydraulic Motor and PWM Valve
Kit: 500-01-2700



ITEM NO.	PART NUMBER	DESCRIPTION	QTY.	
1	500-40-100250	D250 Pre-Build Assembly (minus flowmeter and hydraulics)	1	See Page 37
2	164-FTA1609	4.0 CID Hydraulic Motor with PWM Valve and Bypass Valve, SPEED Sens	1	See Page 42
	164-FTA0994	4.0 CID Hydraulic Motor with PWM Valve and Bypass Valve, CW Rotation		
3	161-01-8MB-8MJ	Adapter - #8 male O-Ring Boss to #8 male JIC	1	
4	161-02-8MJ-8FJX-90	Elbow - #8 female JIC to #8 male JIC - 90	2	
5	500-02-2080	Arag Ion Flowmeter Kit (2.6 - 53 GPM) with adapter cable - 1 1/2" HB	1	See Page 39
6	280-150-AG200	1 1/2" AG200 Hose	1	

AR D250 Assembly and Part Breakdowns

**D250 Pump Pre-Build Assembly
(Minus Flowmeter and Hydraulics)
Kit: 500-40-100250**



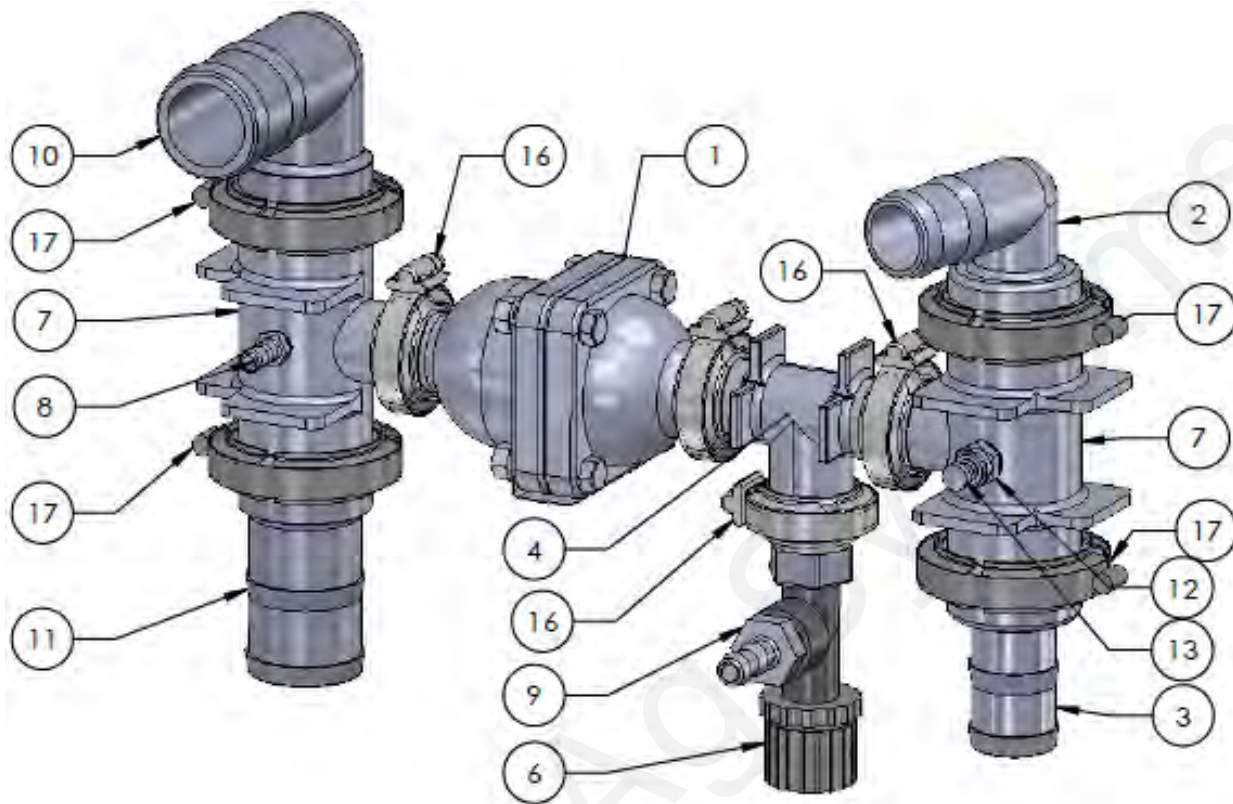
ITEM NO.	PART NUMBER	DESCRIPTION	QTY.
1	400-1203A1	D160 - D250 Diaphragm Pump Bracket	1
2	400-1204A1	D160 - D250 MPRV Support	1
3	520-00-3015	Plumbing Assembly - D160 & D250 Hydraulic Diaphragm Pump	1
4	302-UB101	M100 U-Bolt Assembly - 1 SS Ubolt, 2 SS lock washers, 2 SS nuts	2
5	300-080100-5	1/2" x 1" HCS G5	7
6	323-08	1/2" Flange Nut	7
7	350-TC181	T-Bolt Hose Clamp - 1.81 - 2.06" Diameter (fits 1 1/2" Enforcer or AG200)	2
8	350-TC231	T-Bolt Hose Clamp - 2.31 - 2.62" Diameter (fits 2" Enforcer)	2
9	350-0605	SS Hose Clamp - Size 6 - 7/8" Diameter	2
10	290-02-9910-D250	D250-6 Chamber Diaphragm Pump 55 GPM-Pump Only	1
11	291-02-9910-HYD1570	Hydraulic Flange Kit - D160, D250, PR40 & AR330	1

See Page 38

See Page 40

D250 Assembly and Part Breakdowns

D250 & PR40 Pump Plumbing Assembly
Kit: 520-00-3015

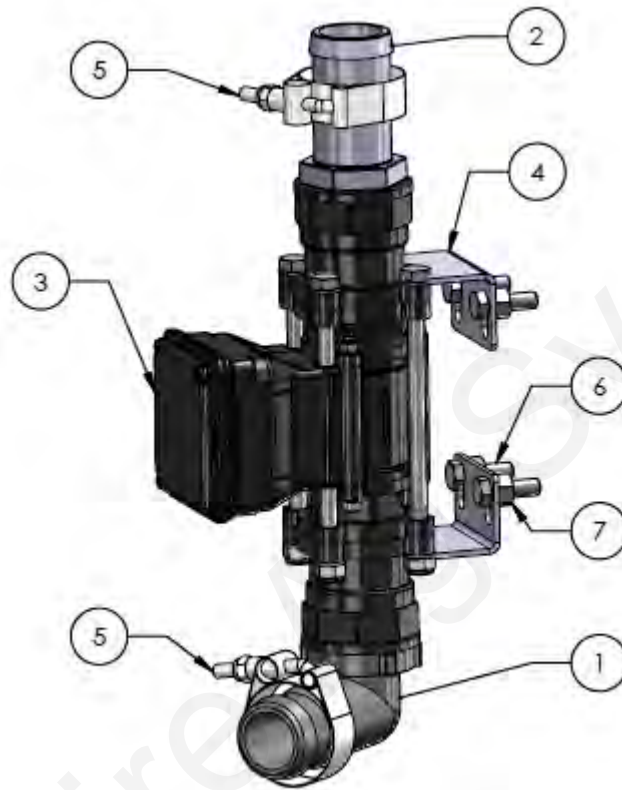


ITEM NO.	PART NUMBER	DESCRIPTION	QTY.
1	102-MPRV100-100	Pressure Relief Valve - 100 PSI	1
2	105-200150BRB90	2" Manifold Flng 1-1/2 Barb 90	1
3	105-200150BRB	2" Manifold X 1-1/2" Barb	1
4	105-100TEE	1" Manifold Tee	1
5	105-100075FPT	1" Manifold x 3/4" FPT	1
6	102-23520-3-4	3/4" Throttling Valve with out spring - 150 PSI	1
7	105-200100TEE038	2"Std Port x 1" Flanged Tee	2
8	101-038050	3/8" MPT x 1/2" HB	1
9	101-075050	3/4" MPT x 1/2" HB	1
10	105-200BRB90	2" Manifold x 2" HB - 90 Degree	1
11	105-200BRB	2" Manifold x 2" HB	1
12	113-06-025038	QC to MPT - 1/4" QC x 3/8" MPT	1
13	113-05-025	Plug - 1/4" QC	1
14	105-100G	1" EPDM Manifold Gasket	4
15	105-150G	1 1/2" EPDM Gasket	4
16	105-FC100	1" Manifold Clamp	4
17	105-FC200	2" Manifold Clamp	4

D250 Assembly and Part Breakdowns

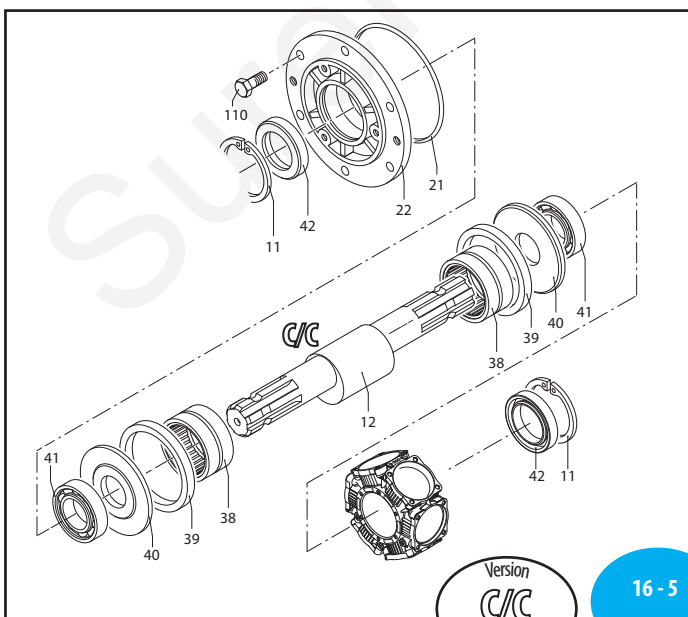
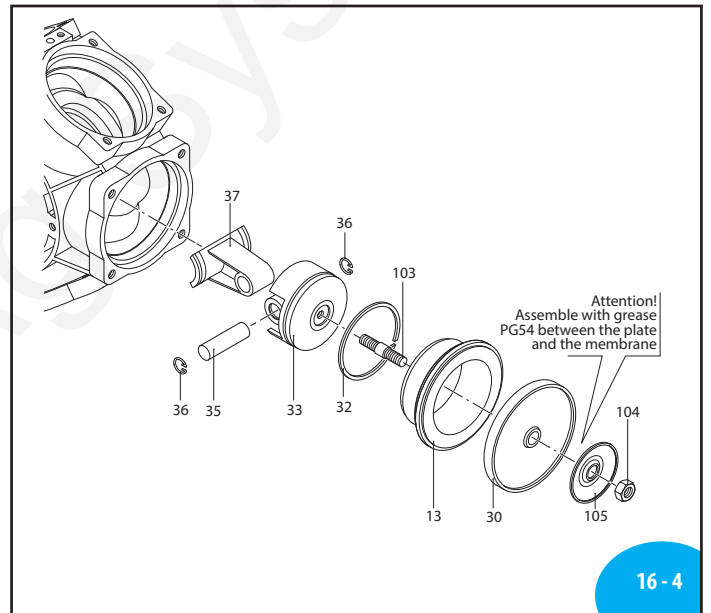
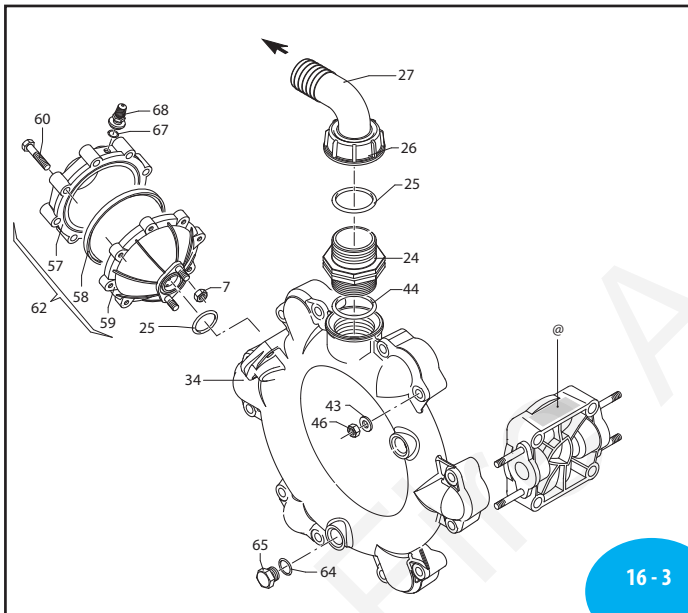
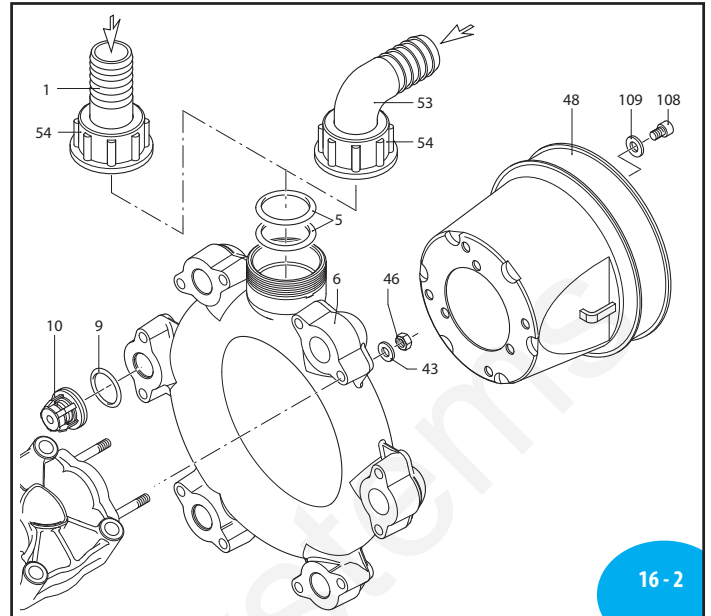
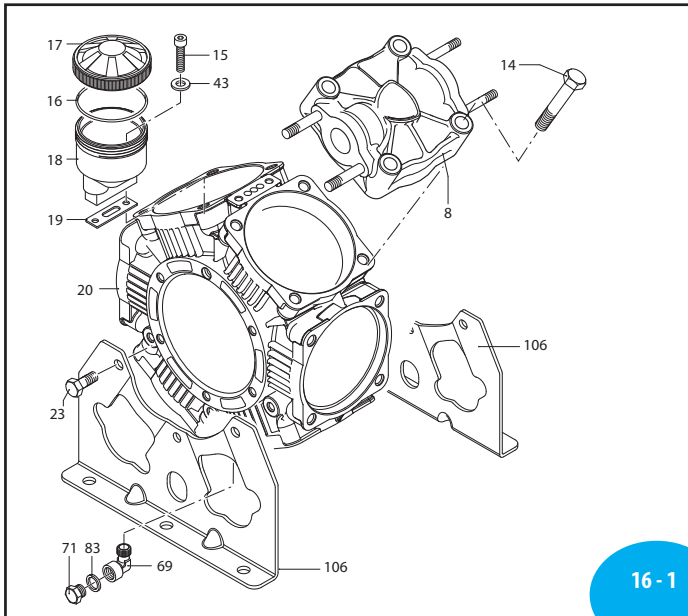
D250/PR40 EMag Flowmeter Kit (2.6-53 GPM)

Kit: 500-02-2080



ITEM NO.	PART NUMBER	DESCRIPTION	QTY.
1	101-125150-90	1-1/4"MPT X 1-1/2"Hse Shnk-90D	1
2	101-125150	1-1/4" MPT x 1-1/2" HB	1
3	204-01-46211CUF04	Electro Magnetic Flow meter 2.6 - 53 GPM Non-visual	1
4	400-3335Y1	SS Flowmeter Mounting Bracket	2
5	350-TC181	T-Bolt Hose Clamp - 1.81 - 2.06" Diameter	2
6	300-050100-SS	5/16" x 1" HCS SS	4
7	323-05-SS	5/16" Flange Nut SS	4
-	280-150-AG200	1 1/2" AG200 Hose - 2 feet	
-	201-17842	Adapter Cable - AMP Superseal to MT Controller	

AR D250 Parts Breakdown



AR-D250 Diaphragm Pump Parts

#	Item Number	Item Description	QTY
5	291-02-9910-750740	PR40 & AR&HD250 2" Inlet Ring Nut O-Ring	2
6	291-02-9910-751070	D250 Suction Manifold	1
8	291-02-9910-750100	D160 & D250 Pump Head	6
9	291-02-680070	D70, D115, D160, & AR&HD250 Pump Valve O-Ring (was 320030)	12
10	291-02-9910-759051	Pump Valve for D70, D115, D160, & AR&HD250	12
11	291-02-9910-200390	PR40, D160, & AR&HD250 Snap Ring	2
12	291-13-750170	D160 & AR&HD250 Pump Shaft	1
13	291-13-750110	PR30, D160, & D250 Diaphragm Sleeve	6
14	291-02-9910-750061	D160 & AR&HD250 Metric Bolt For Pump Head M12 x 65 T445*	24
15	291-13-680350	PR40, D160, & D250 Metric Bolt For Sight Glass M8 x 35 T90*	2
16	291-13-1980340	PR40 & ARD250 Sight Glass Cap O-Ring	1
17	291-13-751183	PR40 & ARD250 Sight Glass Cap	1
18	291-13-751170	Oil Sight Glass PR40 & ARD250	1
19	291-02-9910-750040	Oil Sight Glass Gasket for PR40, D160 & D250	1
20	291-13-751300	ARD250 Pump Housing	1
21	291-02-9910-851360	PR40, D160, & AR&HD250 Seal/Bearing Housing O-Ring	1
22	291-13-680020	PR40 & ARD250 Inspection Plate	1
23	291-13-160673	PR30 PR40, & ARD250 Metric Bolt for Mounting Foot to Housing and other things M10 x 25	6
24	291-02-9910-751130	AR&HD250 Outlet 1 1/2" Threaded Adapter T90*	1
25	291-13-1880460	O-Ring - 29 x 3 Viton - PR17, PR30, PR40, D250 Outlet	2
26	291-02-9910-750670	Ring Nut for 1-1/2" Outlet -PR40, D160 & D250 Pump	1
27	291-13-50267	Poly Elbow 1 1/2" - PR17, PR30, PR40, D250 Outlet	1
30	291-13-550081	BlueFlex Diaphragm for D70, D115, D160, & AR&HD250, PR30, PR40	6
32	291-02-9910-500260	PR30, PR40, D115, D160, & AR&HD250 Piston Ring	6
33	291-02-9910-750122	PR40, D160, & AR&HD250 Piston	6
34	291-02-9910-751080	AR&HD250 Outlet Manifold	1
35	291-13-160700	PR40 & ARD250 Piston Pin	6
36	291-02-9910-160691	PR40, D160, & AR&HD250 Piston Pin Snap Ring	12
37	291-02-9910-750140	AR&HD250 Piston Connecting Rod	6
38	291-02-9910-750090	PR40, D160, & AR&HD250 Needle Bearing	2
39	291-02-9910-750130	PR40, D160, & AR&HD250 Shaft Ring	2
40	291-02-9910-540040	PR40, D160, & AR&HD250 Shaft Spacer Plate	2
41	291-13-751280	ARD250 Roller Bearing	2
42	291-02-9910-160740	PR40, D160, & AR&HD250 Seal Ring	2
43	291-16-380243	PR40 & D250 SS Washer for M8 x 35 Bolt and D160 & D250 Bolt off of the Pump Head	26
44	291-02-9910-751140	AR&HD250 Threaded Adapter to Outlet Manifold O-Ring	1

#	Item Number	Item Description	QTY
46	291-13-3120260	PR40 & AR&HD250 Hex Nut M8	24
48	291-13-1500470	PR40 & ARD250 Red Shaft Protector	1
53	291-02-9910-750850	Inlet Elbow for D250 - 2"	1
54	291-02-9910-750710	AR&HD250 2" Inlet Ring Nut	1
57	291-13-620232	D160 & AR&HD250 Accumulator Head	1
58	291-13-550194	D70, D115, D160 & AR&HD250 Accumulator Diaphragm	1
59	291-13-680180	D160 & AR&HD250 Accumulator Manifold	1
60	291-13-621782	PR40, D160, & AR&HD250 Metric Bolt for Accumulator M8 x 40 T220*	8
64	291-02-9910-180101	D160 & AR&HD250 Outlet Manifold Plug O-Ring & D70 Sight Glass to Pump O-Ring	1
65	291-02-9910-330173	D160 & AR&HD250 Outlet Manifold Plug & D70 Accumulator Manifold Plug & D115 DX Rt. valv. ret. plug	1
67	291-02-9910-650542	PR40, D70, D115, D160, & AR&HD250 Accumulator Head Valve Stem Gasket	1
68	291-02-9910-180020	PR40, D160, & AR&HD250 Accumulator Head Valve Stem T25*	1
69	291-13-750370	AR&HD250 Oil Drain Elbow Fitting	1
71	291-13-880581	AR&HD250 Oil Drain Plug	1
83	291-13-880820	AR&HD 250 Oil Drain Plug Washer	1
103	291-02-2240100	D250 Hub Pin T265*	6
104	291-02-2240110	ARD250 Hub Pin Nut T220*	6
105	291-13-751250	ARD250 Diaphragm Plate	6
106	291-13-751291	ARD250 Black Metal Mounting Foot	2
108	305-10020	Socket Head Bolt—10 mm x 20 mm T90*	3
109	330-06-SS	3/8" Flat Washer - SS	3
110	291-13-160673	PR30, PR40, & ARD250 Metric Bolt for Mounting Foot to Housing and other things M10 x 25 T310*	6

* Torque: in-lbs +/- 10%

291-13-100200 D250 Diaphragm Service Kit

#	Description	QTY	#	Description	QTY
9	Valve Gasket	2	30	Diaphragm	1
10	Valve	2	(pump requires 6 kits)		

291-02-9910-KIT1904 D250 O-Ring Kit

