



# 396-6901Y1

## Row Control Master Valve Installation Guide & Parts Breakdown

### Sentinel Software 1.5.3 Required

#### For existing systems-

Step 1: Remove the 207-3462Y1 or Y2 harness and replace with the 207-3464Y1 that has the master valve connection that will then connect to the 2" master valve that is in these kits.

Step 2: Remove inlet plumbing fittings and add valve according to the pictures for your pump model.

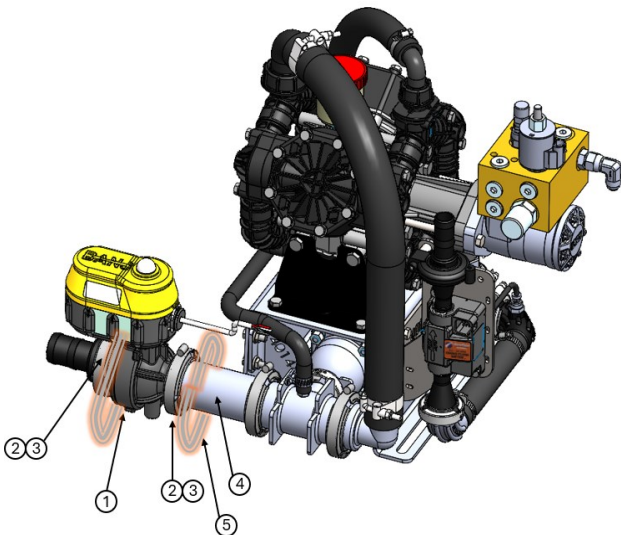
*Note: We recommended installing according to these pictures. If this isn't possible with existing pump mounting, it is recommended to install the valve on the inlet side of the pump.*

#### For new systems-

Step 1: Install the 207-3464Y1 harness to the proper connection points.

Step 2: Install the valve according to the images below for your pump model.

### Row Control 2" Master Valve Kit PR 17/PR 30 Pumps Kit #-522-04-100101



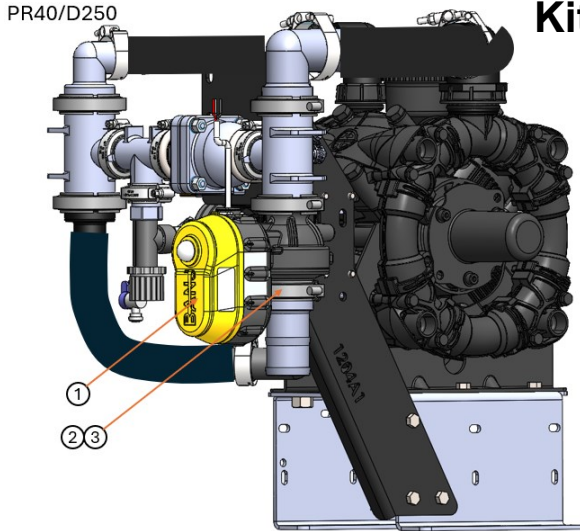
Item #	Part #	Description	Qty
1	103-MEVX200A	2" - 3 Wire - WP Connector - EVX Style	1
2	105-FC200	2" Manifold Clamp	2
3	105-150G-H	1-1/2" EPDM Manifold Gasket for 200 Series Manifold fittings	2
4	105-200CPG	2" Manifold Coupling	1
5	353-30WL	Size 30 Wraplock Band	2
6	207-3464Y1	Final Cable for SurePoint Row Control System (pwm, flow, pres., pump rpm, master)	1



# 396-6901Y1

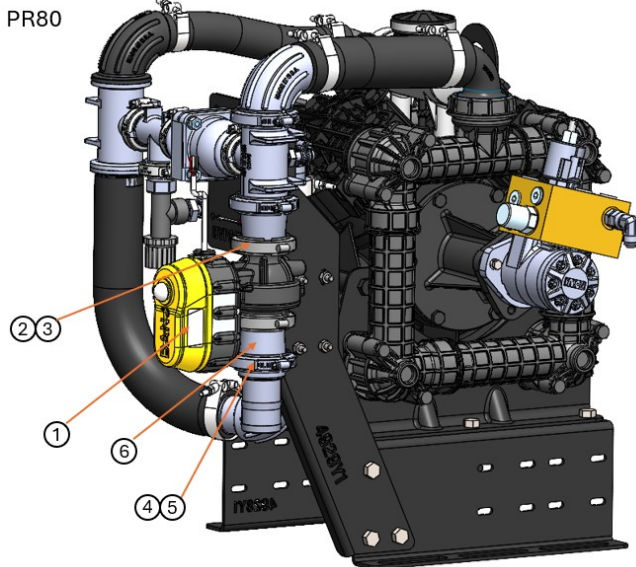
## Row Control Master Valve Installation Guide & Parts Breakdown

### Row Control 2" Master Valve Kit PR 40/D 250 Pumps Kit #-522-04-100102



Item #	Part #	Description	Qty
1	103-MEVX200A	2" - 3 Wire - WP Connector - EVX Style	1
2	105-FC200	2" Manifold Clamp	1
3	105-150G-H	1-1/2" EPDM Manifold Gasket for 200 Series Manifold fittings	1
4	207-3464Y1	Final Cable for SurePoint Row Control System (pwm, flow, pres., pump rpm, master)	1

### Row Control 2" Master Valve Kit PR 80 Pump Kit #-522-04-100103



Item #	Part #	Description	Qty
1	103-MEVX200A	2" - 3 Wire - WP Connector - EVX Style	1
2	105-FC200	2" Manifold Clamp	2
3	105-150G-H	1-1/2" EPDM Manifold Gasket for 200 Series Manifold fittings	2
4	105-FC220	2" Full Port Manifold Clamp	1
5	105-200G-H	(FOR FC220s) 2" EPDM Manifold Gasket for 220 Series Manifold Fittings	1
6	105-220200CPG	2" Full Port Manifold x 2" Manifold Coupler	2
7	207-3464Y1	Final Cable for SurePoint Row Control System (pwm, flow, pres., pump rpm, master)	1