

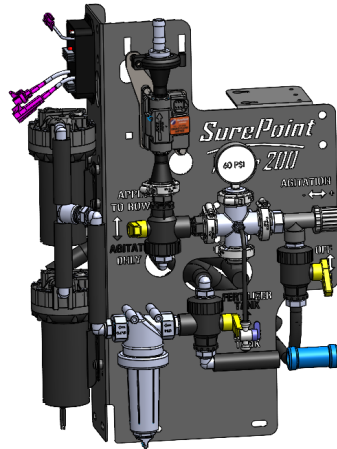
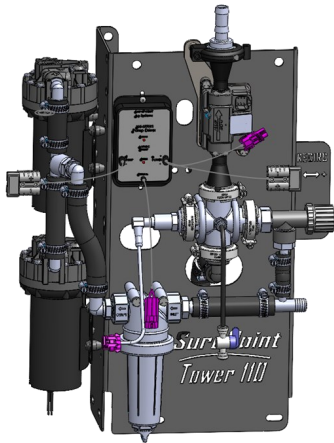
396-6697Y1 Tower 110 & 200 Emag Flowmeter Update

Part Info Sheet



0.2 - 24 GPM Orion 3 DN10 Emag Flowmeter P/N 204-01-462032A-DN10

0.08-1.6 GPM Orion 3 DN4 Emag Flowmeter P/N 204-01-46203GA-DN4



6-Pin Deutsch connector

Use adapter 201-5954Y1 to connect to 3-pin AMP Superseal harness.

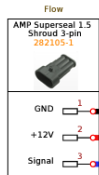
OR Alternate adapter 201-6647Y1 to connect to 3-pin MP Shroud

For 0.08-1.6 (DN4) flowmeter you may also need one of these two divide-by-8 cables for controllers that CANNOT handle a 5-digit calibration number.:

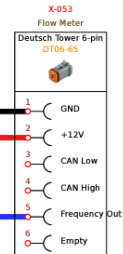
201-14266 (for Commander II setups)

201-19849 (for non-Commander II setups)

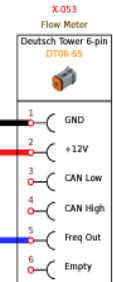
Flowmeter Model	Pulses per gallon	Alternate Calibration Number-Pulses per Gallon	FPT Size	Hose Barb In kit
0.08 - 1.6 GPM (DN4)	37854	9464 w/ divide-by-8	3/4"	3/4"
0.2 - 24 GPM (DN10)	4542	N/A	3/4"	1"
Commander II & Other Rate Controllers w/ Cal Number Limitations Sentinel, John Deere, Ag Leader & Trimble Rate Controller Setups				



Adapter 201-5954Y1 to connect to 3-pin AMP Superseal harness.



Alternate adapter 201-6647Y1 to connect to 3-pin MP Shroud for use with Commander II controllers and E-Mag Flowmeters with Blue Sticker and White Lettering



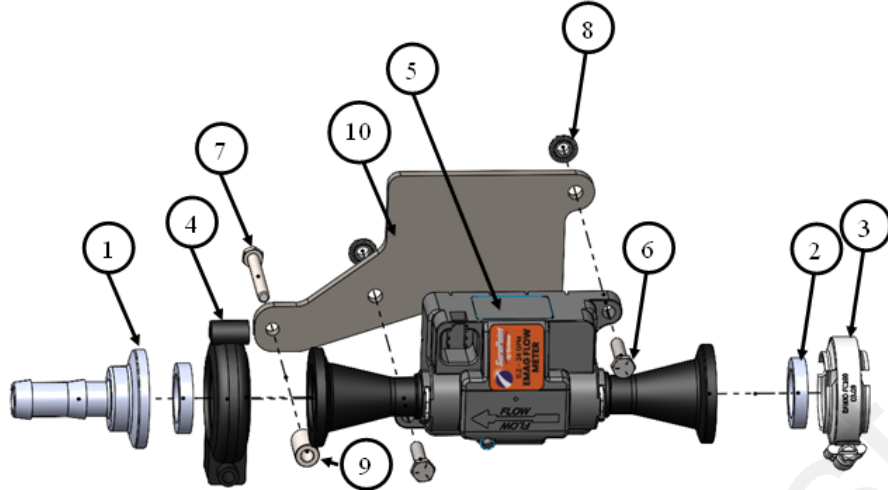
SurePoint recommends you perform a catch test to verify the system is properly installed and configured. Adjust the flow cal as needed based on accurate catch tests with the actual product or observation of gallons applied and acres worked.

-Before doing any arc welding on the implement, unplug the cable to the flowmeter, or damage to the flowmeter may result.

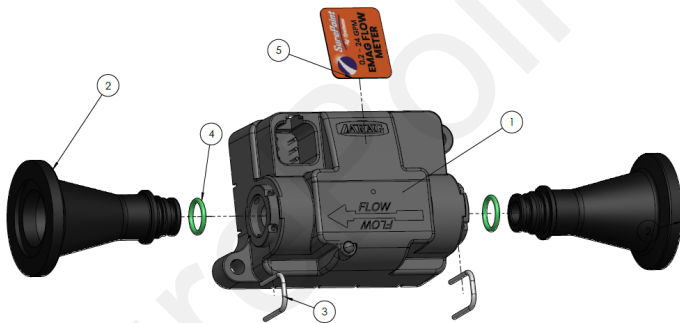
***-Do not power wash the flowmeter.** High pressure spray directed at the back edge of the face plate or at the wire connector may allow water into the flowmeter electronics.*



Parts List and Exploded View



ITEM #	Part Number	Description	QTY
1	105-100075BRB	1" Manifold x 3/4" HB	1
2	105-100G-H	1" EPDM Manifold Gasket	2
3	105-FC100	1" Manifold Clamp	1
4	105-UFC100	1" UF Clamp	1
5	204-01-462032A-DN10	Flowmeter Assembly, Orion3 Emag, 0.2 - 24 GPM, M100 Flange	1
or	204-01-46203GA-DN04	Flowmeter Assembly, Orion 3 Emag, 0.08-1.6 GPM, M100 Flange	
6	300-040108-SS	1/4" x 1-1/2" Hex Head Bolt - SS	2
7	300-M655MM-10.9	M6 x 55mm, Hex Flange Head Bolt - Grade 10.9	1
8	323-04-SS	1/4" Flange Nut -SS	2
9	400-6633Y1	Spacer Bushing, Steel 1/2"OD x 1/4" ID x 7/8" Long	1
10	410-6613Y1-BK	Spacer, Orion 3 Flowmeter With Tab for Tower	1



ITEM #	Part Number	Description	QTY
1	204-01-462032A-DN10	Flowmeter, Orion3 Emag, 0.2 - 24 GPM, T1F Connection	1
or	204-01-46203GA-DN04	Flowmeter, Orion 3 Emag, 0.08 -1.6GPM, TIF Connection	
2	120-M100T1M	Flange Fitting, M100 x T1M Fork Fitting	2
3	124-02-010001	T1 Fork	2
4	124-01-G11056-V	Viton O-Ring for T1 Fittings	2
5	398-20-6313Y1	Decal, EMAG (Orion 3) Flowmeter 0.2—24 GPM	1
or	398-20-6312Y1	Decal, EMAG (Orion 3) Flowmeter 0.08-1.6 GPM	