



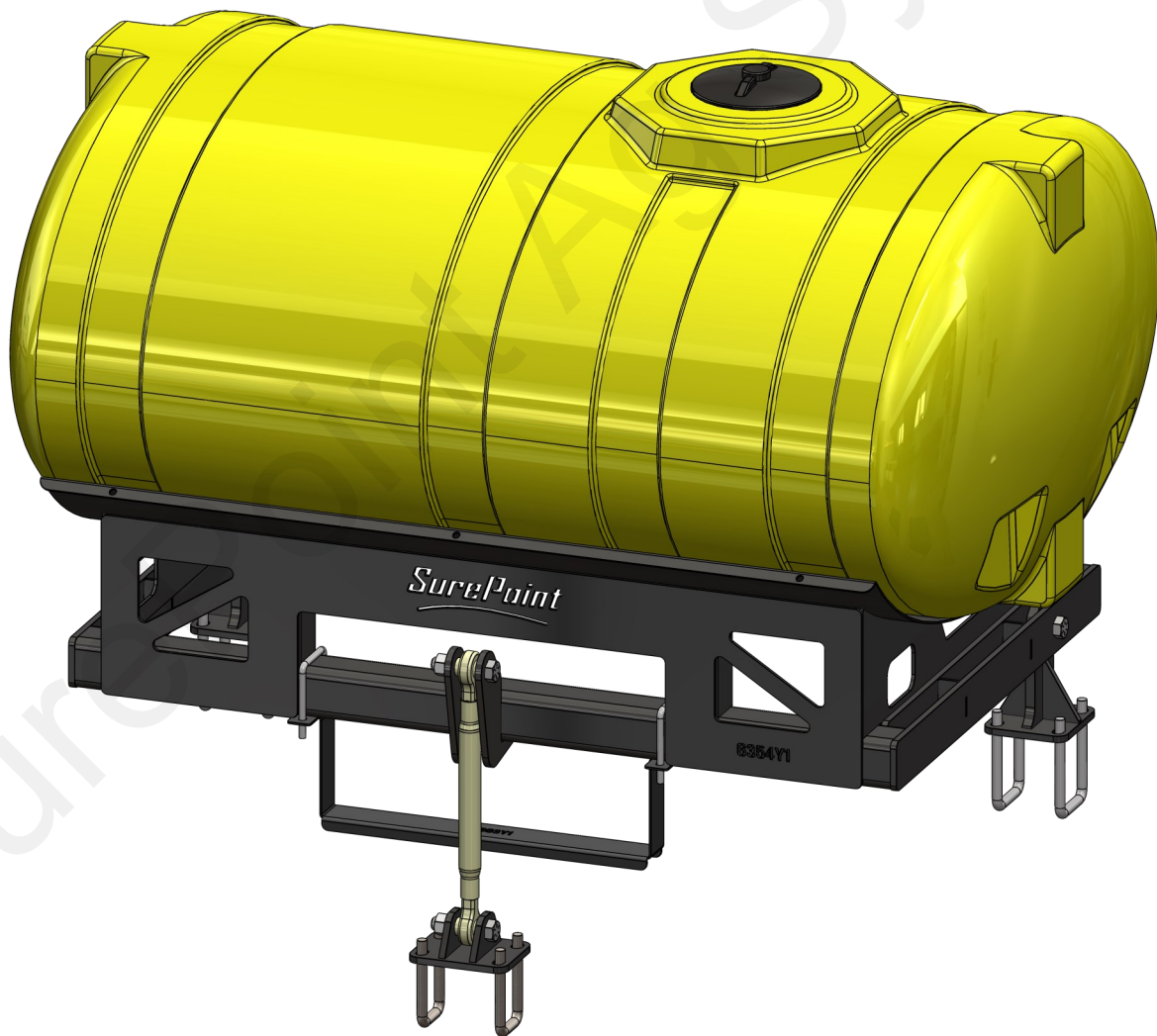
396-6362Y1

John Deere N543F 500 Gallon Hitch Mounted Tank Kit Installation Instructions

Air Seeder Manufacturer: **JOHN DEERE**

Kit Number: 551-03-200200

Kit Description: John Deere N543F 500 Gallon Hitch Mount Tank Kit





SurePoint Ag Systems Fertilizer Tank Safety and Warnings



SurePoint Ag Systems does not recommend transporting your implement with full fertilizer tanks. Doing so can result in damage to brackets and implement.



Remember to wear proper PPE (*Personal Protective Equipment*) when installing SurePoint Ag Systems fertilizer tank kits. Proper PPE includes gloves, foot and eye protection, and hearing protection.



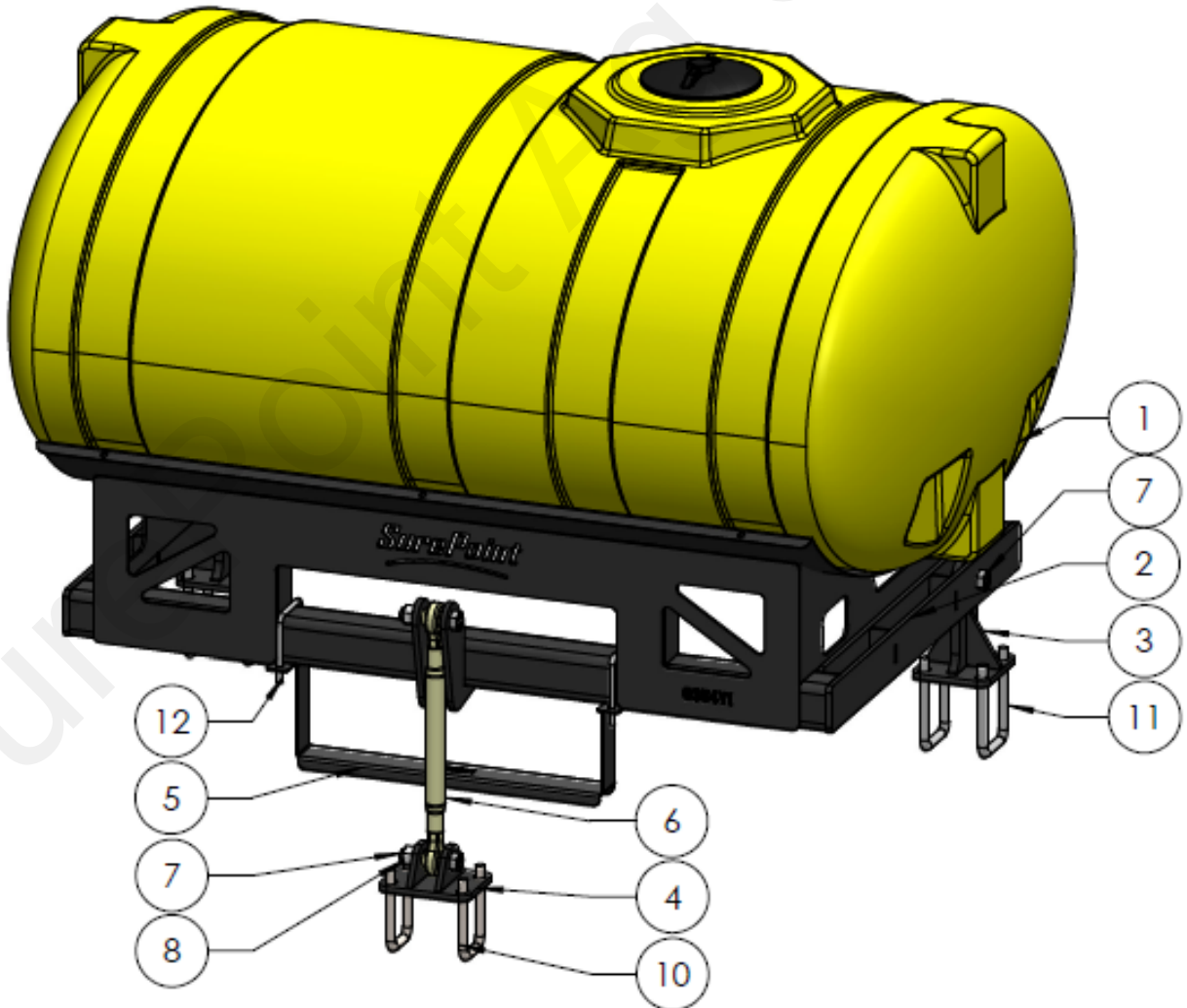
SurePoint Ag Systems fertilizer application systems require winterization when not in use. Refer to your product manual for winterization procedures.

Failure to follow the above warnings can result in personal injury, damage to your SurePoint Ag Systems products, and damage to your implement.



Parts List and Exploded View

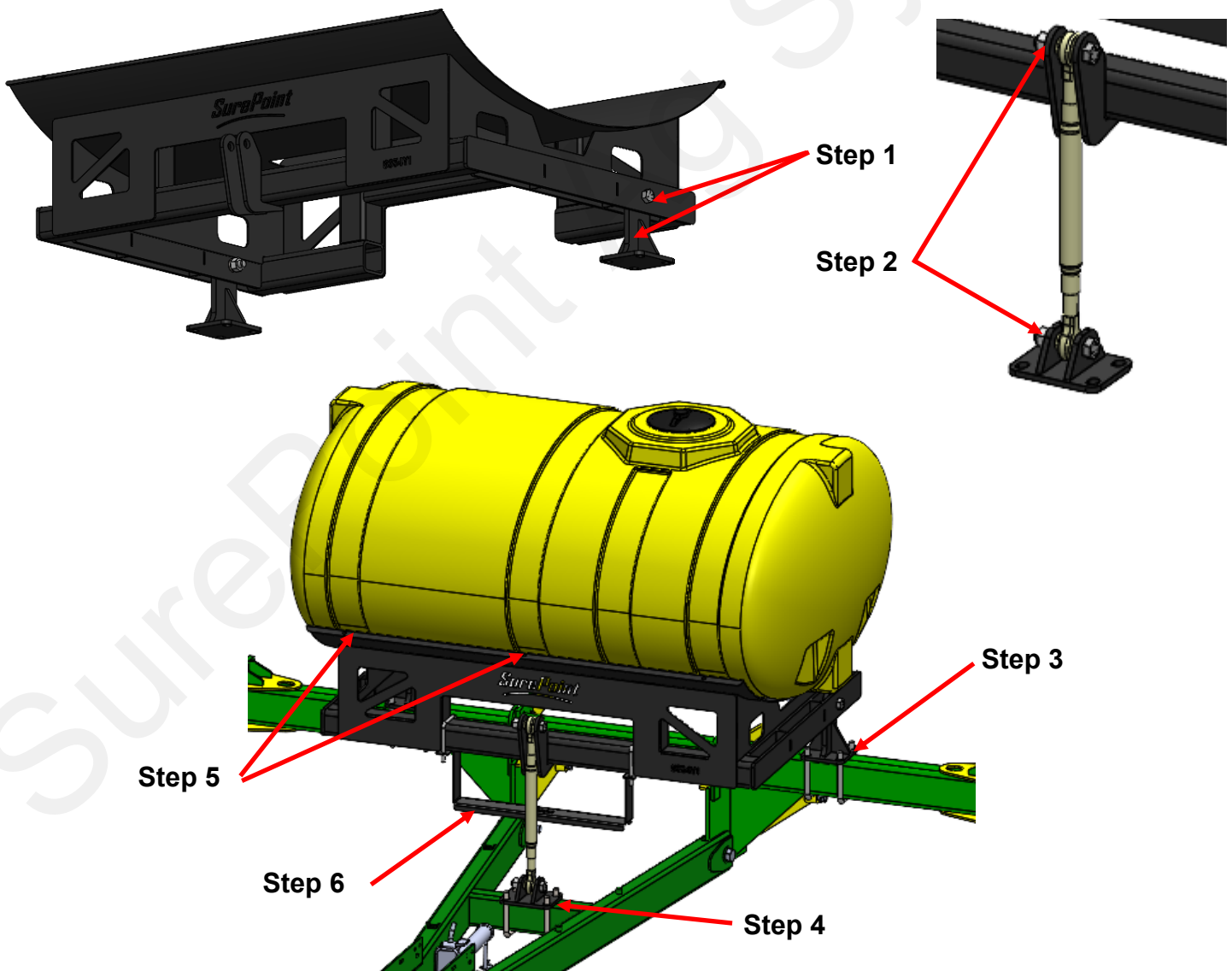
ITEM NO.	PART NUMBER	DESCRIPTION	QTY.
1	727-01-HE0500-57-OS-Y	500 Gallon Elliptical Tank—Yellow	1
2	455-6354Y1-BK	John Deere N543F 500 Gal Tank Cradle	1
3	455-6359Y1-BK	John Deere N543F 500 Gal Cradle Pivot	2
4	455-1309A1-BK	John Deere Air Seeder Front Tank Mount Support	1
5	455-6363Y1-BK	John Deere N543F 500 Gal Cradle Seed Hose Support	1
6	399-TL173	Cat 2, 1" Bore Swivel Ball	1
7	300-160408-8	1" x 4-1/2" HCS G8	4
8	320-16-8	1" Hex Nut—G8	4
9	331-16	1" Lock Washer	4
10	380-1061	3/4" U-Bolt Kit - Fits 3" x 5" Tube	2
11	380-1062	3/4" U-Bolt Kit - Fits 4" x 6" Tube	4
12	380-1023	1/2" U-Bolt Kit - Fits 4" x 4" Tube	2
13	525-3000	Tank Straps, 3" Kit, 400-750 Gallon	3





Step by Step Instructions

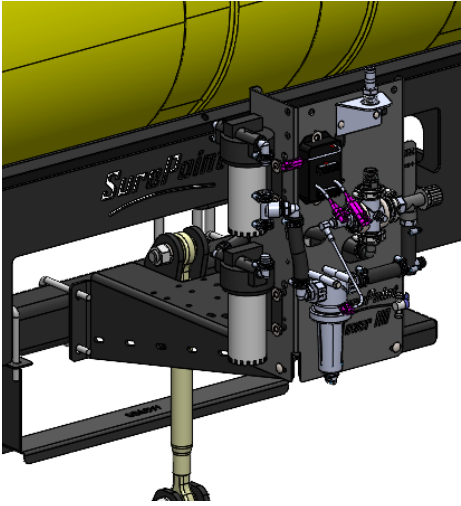
1. Bolt the Tank Pivot brackets to the Cradle using the provided 1" bolts, nuts, and lock washers. Tighten the 1" hardware.
2. Bolt the Top Link to the cradle using the provided 1" bolts, nuts and lock washers. Bolt the Front Tank Support to the Top Link using the remaining 1" hardware. Tighten the 1" hardware.
3. Place the Cradle on to the top hitch crossbar. Loosely bolt the Tank Pivots to the crossbar using the 380-1062 U-Bolts.
4. Loosely bolt the Front Tank Support to the main hitch crossbar using the 380-1061.
5. Place the tank in the cradle and fasten using the provided 3" tank strap kits.
6. Mount the Seed Hose Support bracket to the Cradle using the 380-1023 U-Bolts, making sure to route all seed hoses through the bracket under the Cradle. Tighten the U-Bolts.
7. Adjust top link to proper length and tighten all U-Bolts. Make final adjustment to top link when the seeder is attached to the tractor. Level out the tank and cradle.



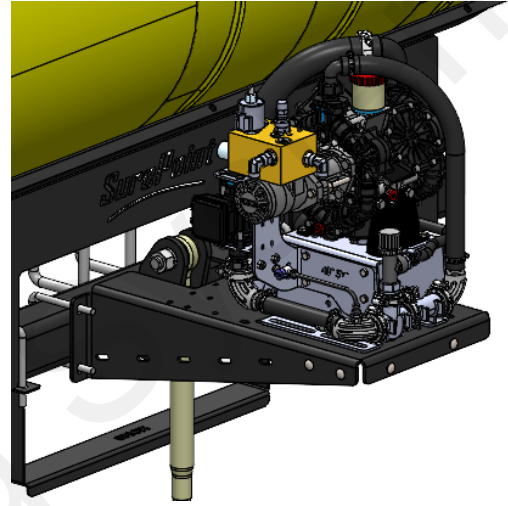


Optional/Related Items

Tower and PumpRight Mount Kit: 515-03-201050
Instruction Sheet for this Kit: 396-2647Y1

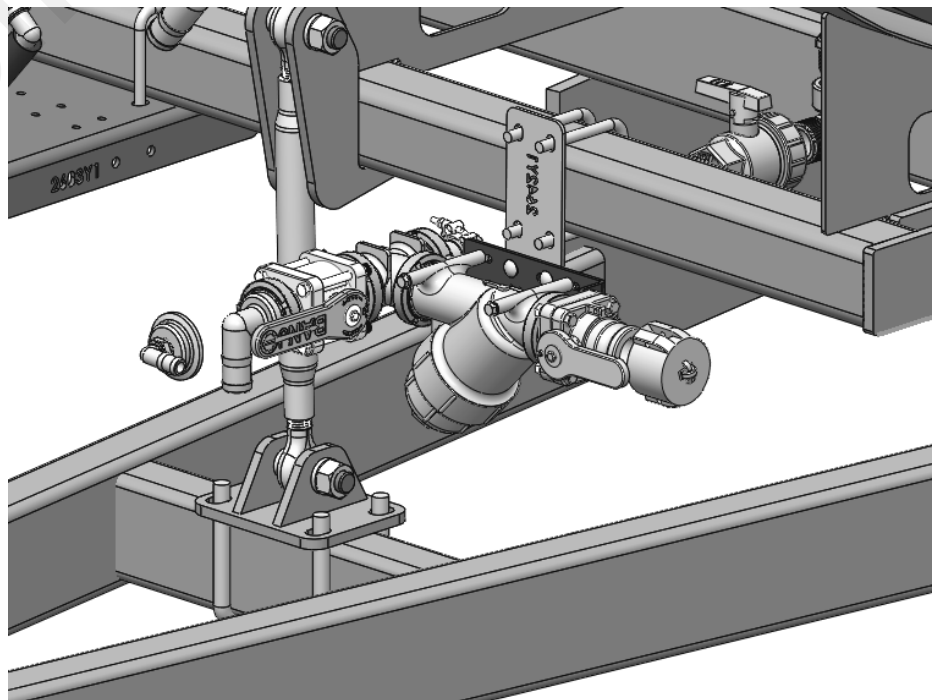


Tower pumps are fed with 3/4" hose from the valve in the plumbing kit below.



PumpRight pumps are fed with 1-1/2" hose from the valve in the plumbing kit below

Tank Fill and Discharge Kit
Kit Number: 555-101250
Instruction sheet for this kit: 396-2623Y1



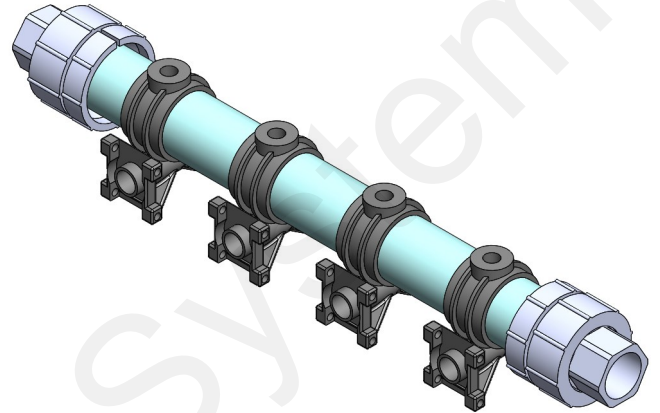


Optional/Related Items

Manifold Kits:

Instruction sheet for these kits: 396-2620Y1

553-03-30000:	30' 7.5" spacing
553-03-30500:	30' 10" spacing
553-03-36000:	36' 7.5" spacing
553-03-36500:	36' 10" spacing
553-03-40000:	40' 7.5" spacing
553-03-40500:	40' 10" spacing
553-03-42000:	42.5' 7.5" spacing
553-03-42500:	42.5' 10" spacing



The Fin:

Instruction Sheet 396-2624Y1

272-01-FIN60/90-L
272-01-FIN60/90-R

