



396-5691Y1

SurePoint M220 SS Mixing Chamber Kit Instructions

Kit Number: 520-00-105075

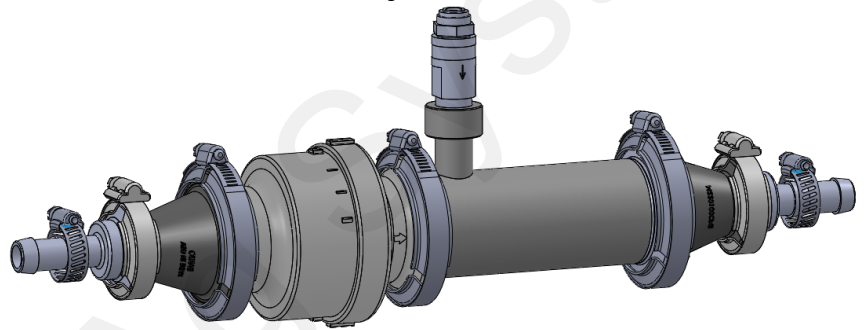
M220 SS Mixing Chamber Kit - 3/4" HB Inlet/Outlet, 3/8" QC Injection

Kit Number: 520-00-105100

M220 SS Mixing Chamber Kit - 1" HB Inlet/Outlet, 3/8" QC Injection

Kit Number: 520-00-105150

M220 SS Mixing Chamber Kit - 1-1/2" HB Inlet/Outlet, 3/8" QC Injection

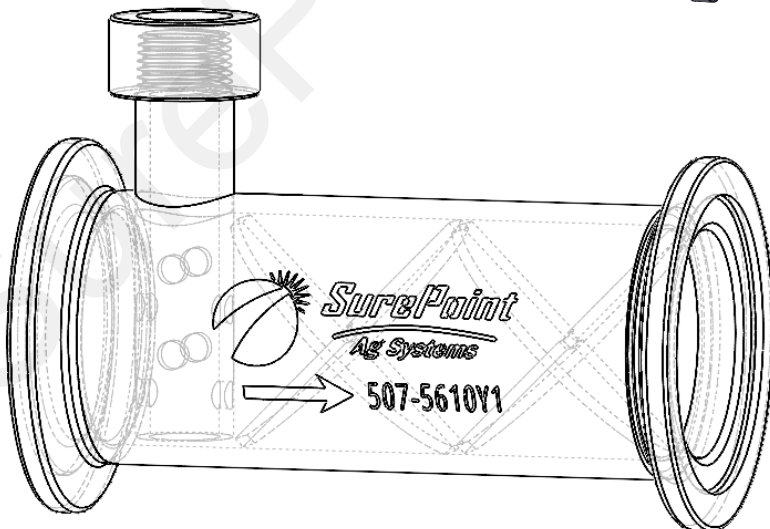
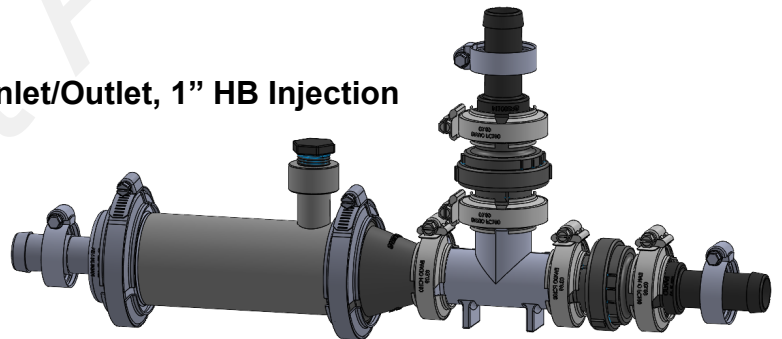


Kit Number: 520-00-105200

M220 SS Mixing Chamber Kit - 1" HB

Kit Number: 520-00-105250

M220 SS Mixing Chamber Kit - 1-1/2" HB Inlet/Outlet, 1" HB Injection



| Water Flow Rate (GPM) | Pressure Drop (PSI) |
|-----------------------|---------------------|
| 25 | 1 |
| 50 | 2 |
| 75 | 5 |
| 100 | 10 |
| 125 | 15 |

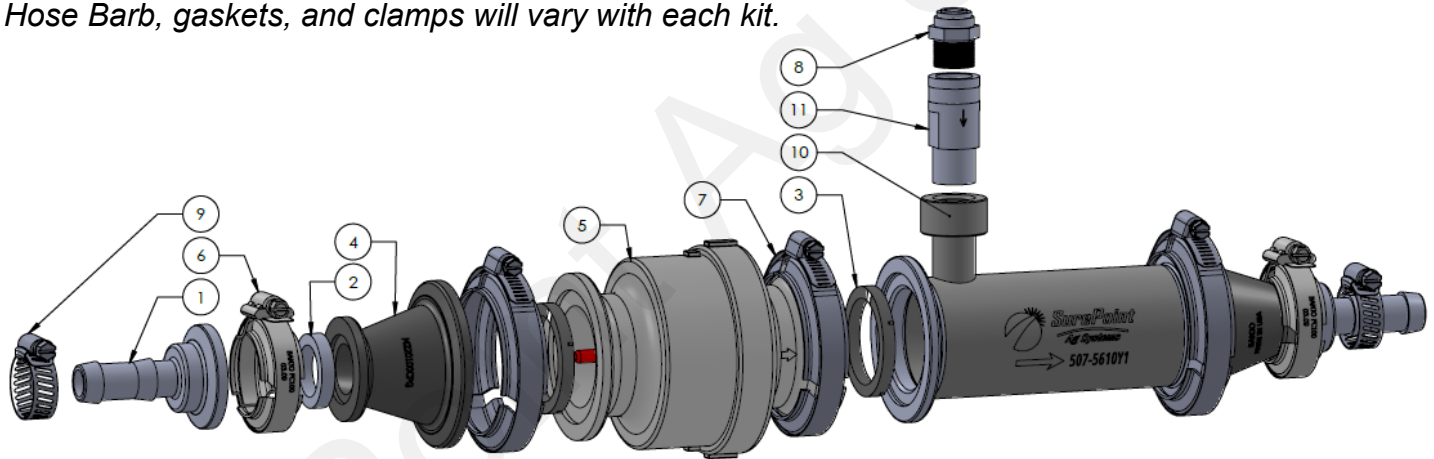


Parts List

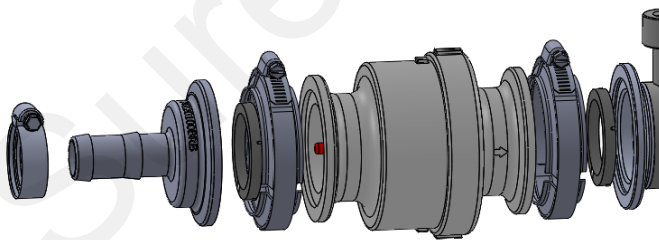
For 3/8" QC Injection Kits

| ITEM NO. | PART NUMBER | DESCRIPTION | QTY. |
|----------|------------------|---|------|
| 1 | 105-100075BRB | 1" Manifold x 3/4" HB | 2 |
| 2 | 105-100G-H | 1" EPDM Manifold Gasket | 2 |
| 3 | 105-200G-H | (FOR FC220s) 2" EPDM Manifold Gasket for 220 Series Manifold Fittings | 3 |
| 4 | 105-220100CPG | 2" Full Port Manifold x 1" Manifold - Reducer Coupling | 2 |
| 5 | 105-220CV | 2" Full Port Manifold Check Valve | 1 |
| 6 | 105-FC100 | 1" Manifold Clamp | 2 |
| 7 | 105-FC220 | 2" Full Port Manifold Clamp | 3 |
| 8 | 113-06-038050-P | QC to MPT - 3/8" QC x 1/2" MPT - polypropylene | 1 |
| 9 | 350-1208 | SS Hose Clamp - Size 12 - 1-1/4" Diameter (fits 3/4" AG200) | 2 |
| 10 | 507-5610Y1 | SurePoint SS Mixing Chamber - M220 Flanges, 1/2" Injection Port | 1 |
| 11 | 716-333-0011-102 | 1/2" SS N-Serve Checkvalve - 12 PSI w/ Extreme Viton | 1 |

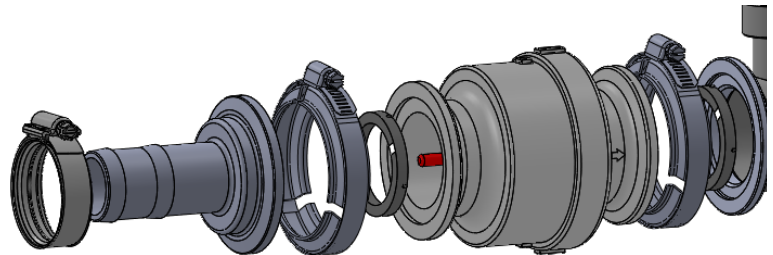
Hose Barb, gaskets, and clamps will vary with each kit.



Kit shown: 520-00-105075



Kit shown: 520-00-105100



Kit shown: 520-00-105150

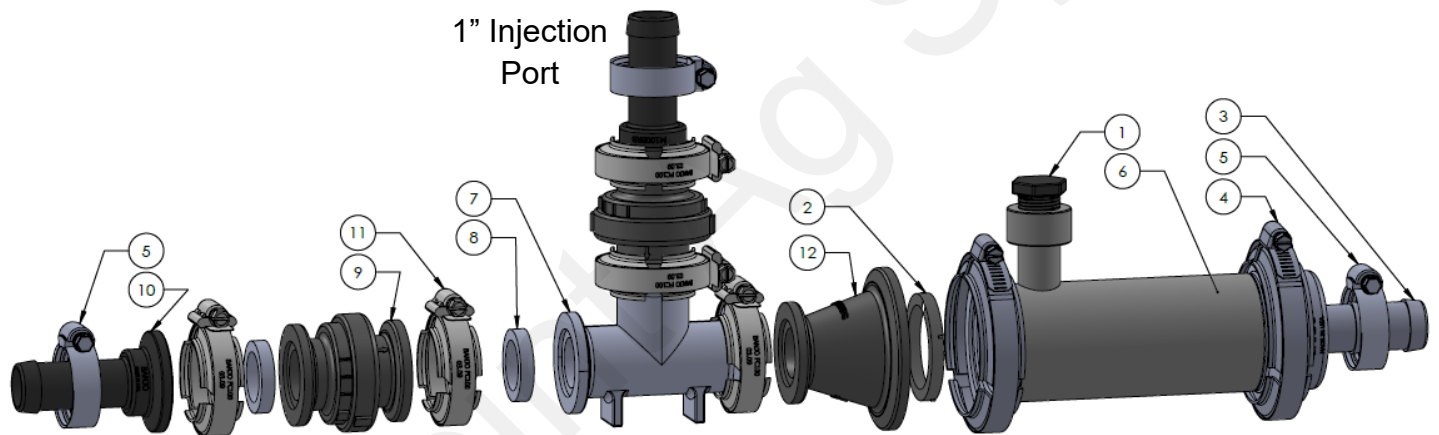


Parts List

For 1" HB Injection Kits

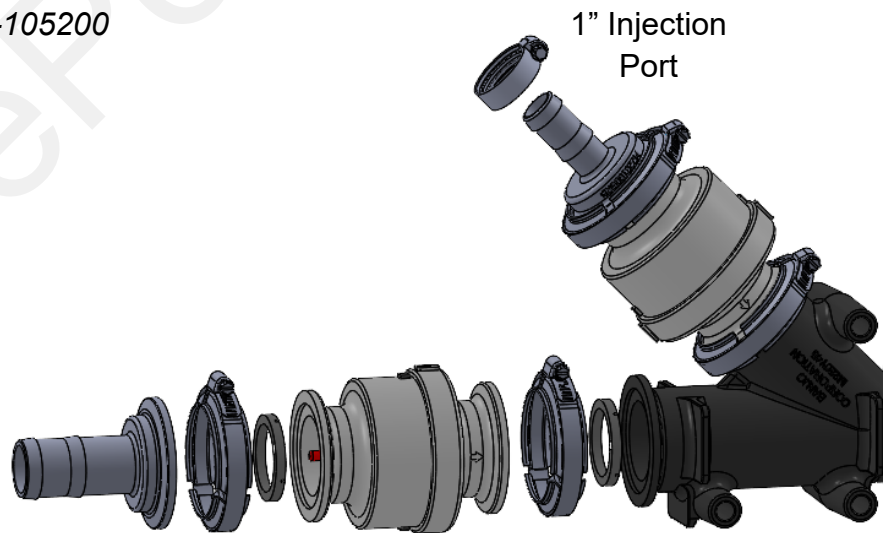
| ITEM NO. | PART NUMBER | DESCRIPTION | QTY. |
|----------|---------------|--|------|
| 1 | 100-050PLUG | 1/2" Pipe Plug | 1 |
| 2 | 105-200G | (FOR FC220s) 2" EPDM Manifold Gasket for 220 Series Manifold Fittings | 2 |
| 3 | 105-220100BRB | 2" Full Port Manifold x 1" HB | 1 |
| 4 | 105-FC220 | 2" Full Port Manifold Clamp | 2 |
| 5 | 350-PS020 | Pressure Seal - HD Clamp, Size 20 - 1.125" - 1.5625" (1" AG200 or WBS) | 3 |
| 6 | 507-5610Y1 | M220 Stainless Steel Mixing Chamber | 1 |
| 7 | 105-100TEE | 1" Manifold Tee | 1 |
| 8 | 105-100G | 1" EPDM Manifold Gasket | 5 |
| 9 | 136-MCV100 | 1" Flanged Poly Check Valve | 2 |
| 10 | 105-100BRB | 1" Manifold x 1" HB | 2 |
| 11 | 105-FC100 | 1" Manifold Clamp | 5 |
| 12 | 105-220100CPG | 2" Full Port Manifold x 1" Manifold - Reducer Coupling | 1 |

Hose Barb, fittings, gaskets, and clamps will vary with each kit.



1" Inlet/Outlet

Kit shown: 520-00-105200



1-1/2" Inlet/Outlet

Kit shown: 520-00-105250



Step by Step Instructions

1. Assemble Mixing Chamber fittings as shown.
2. Connect hose coming from each pump (after the flowmeter) to inlet hose barbs or quick connect fittings.
3. Connect hose from system (Section Valves, LiquiShift, Flow Indicators, etc.) to outlet hose barb.

