

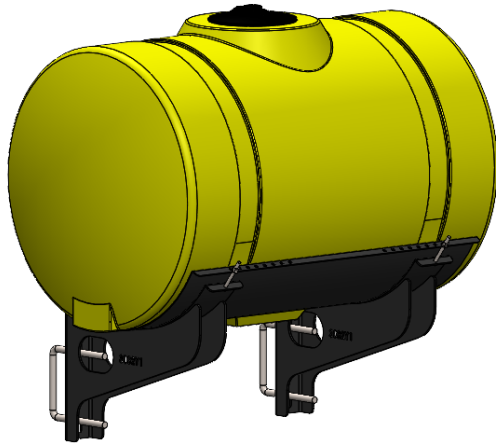


# 396-5617Y1

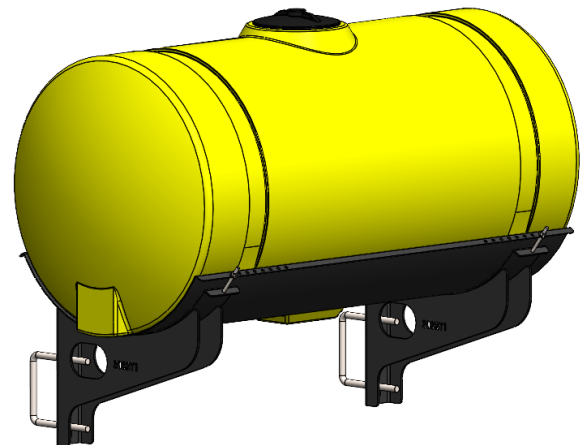
## Tank Kits for

### John Deere Applications

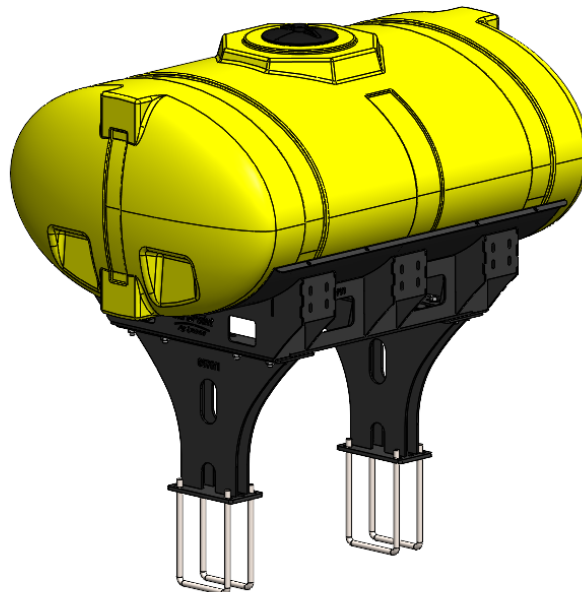
**Kit Number: 530-01-025150**



**Kit Number: 530-01-025200**



**Kit Number: 530-01-025305**





# SurePoint Ag Systems

## Fertilizer Tank Safety and Warnings



SurePoint Ag Systems does not recommend transporting your implement with full fertilizer tanks. Doing so can result in damage to brackets and



Remember to wear proper PPE (*Personal Protective Equipment*) when installing SurePoint Ag Systems fertilizer tank kits. Proper PPE includes gloves, foot and



SurePoint Ag Systems fertilizer application systems require winterization when not in use. Refer to your product manual for winterization procedures.

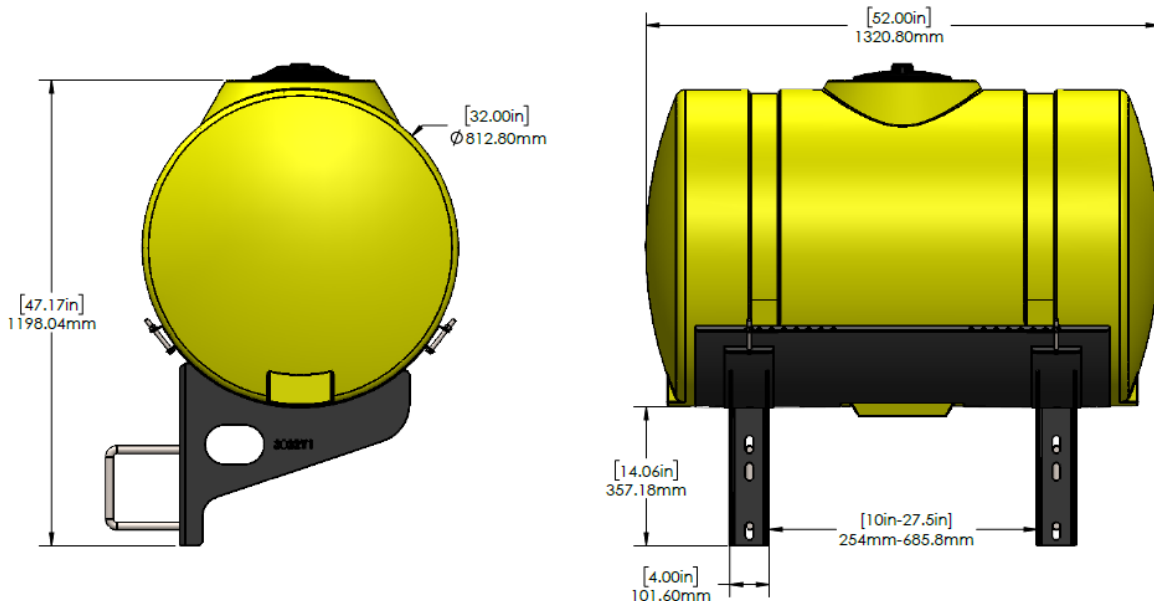
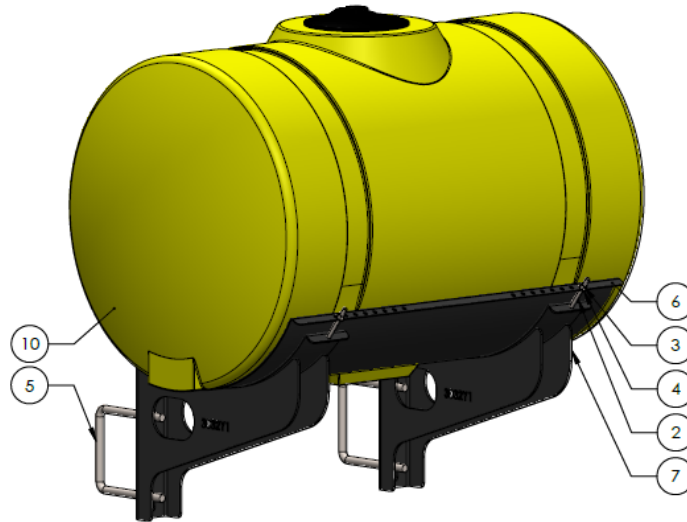
**Failure to follow the above warnings can result in personal injury, damage to your SurePoint Ag Systems products, and damage to your implement.**



# Parts List and Install Dimensions

## 530-01-025150

ITEM NO.	PART NUMBER	DESCRIPTION	QTY.
1	280-075-AG200	3/4" AG200 Bulk	20
2	300-060400-5	3/8" x 4" Hex Head Bolt - G5	8
3	321-06	3/8" Nylock Nut	8
4	330-06	3/8" Flat Washer	8
5	380-1060	3/4" U-Bolt Kit - fits 7" x 7" tube (7" opening) includes Flat & Lock Washers, Nuts	4
6	420-3003Y1-BK	150 Gallon Round - 32"Ø - Tank Support Sheet	2
7	420-3032Y1-BK	Offset Bar Mount Saddle for 32"Ø Tank	4
8	521-00-100290	Tank Overflow Assembly Bag for Two Tanks (Wing Tanks)	1
9	525-2055	2" Tank Strap Kit for Tanks under 300 Gallon	4
10	727-02-HZ0150-32-Y	Horizontal Tank - 150 Gal - Yellow - 32" x 52"	2

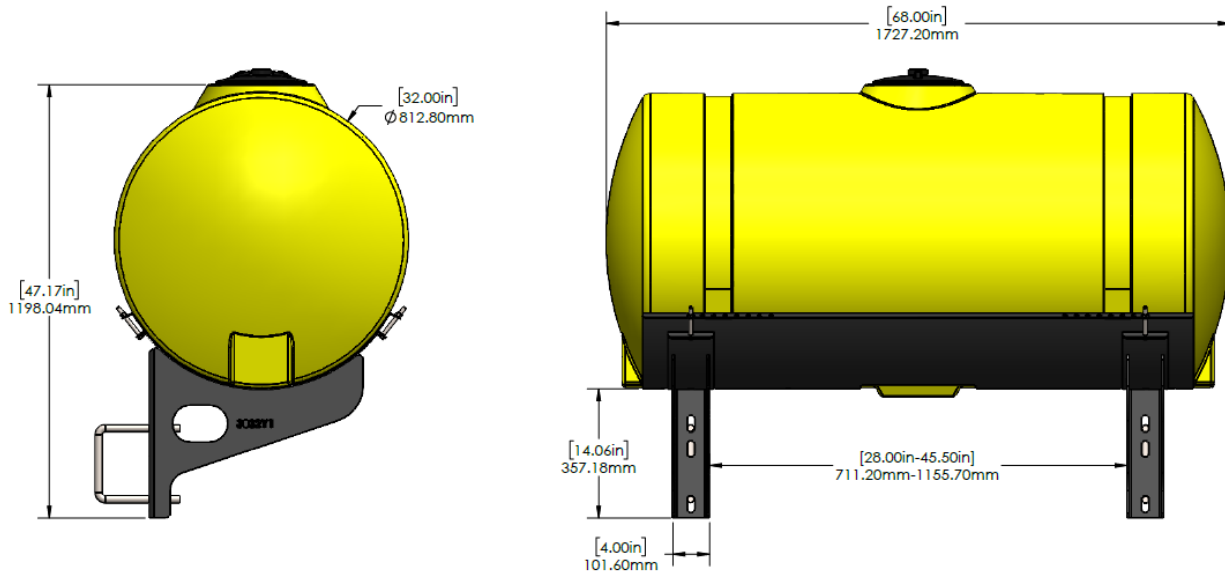
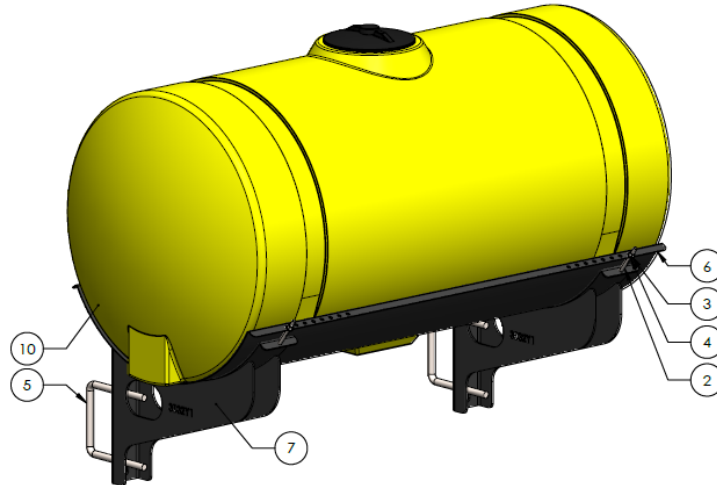




# Parts List and Install Dimensions

## 530-01-025200

ITEM NO.	PART NUMBER	DESCRIPTION	QTY.
1	280-075-AG200	3/4" AG200 Bulk	20
2	300-060400-5	3/8" x 4" Hex Head Bolt - G5	8
3	321-06	3/8" Nylock Nut	8
4	330-06	3/8" Flat Washer	8
5	380-1060	3/4" U-Bolt Kit - fits 7" x 7" tube (7" opening) includes Flat & Lock Washers, Nuts	4
6	420-3002Y1-BK	200 Gallon Round Tank Support Sheet	2
7	420-3032Y1-BK	Offset Bar Mount Saddle for 32"Ø Tank	4
8	521-00-100290	Tank Overflow Assembly Bag for Two Tanks (Wing Tanks)	1
9	525-2055	2" Strap Kit for Tanks under 300 Gallons	4
10	727-02-HZ0200-32-Y	Horizontal Tank - 200 Gal - Yellow - 32" x 68"	2

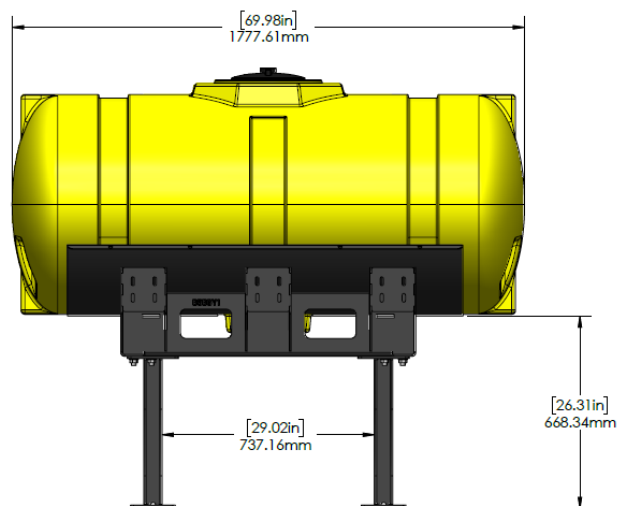
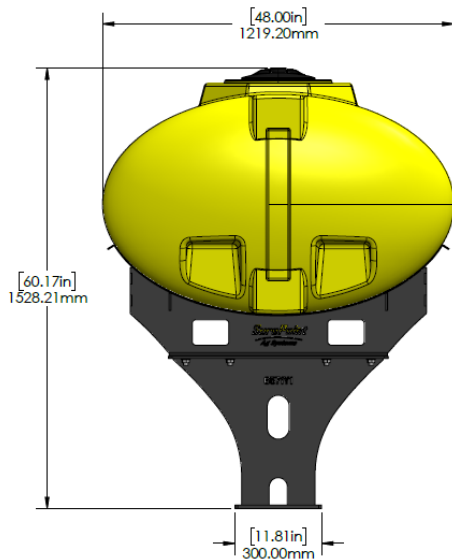
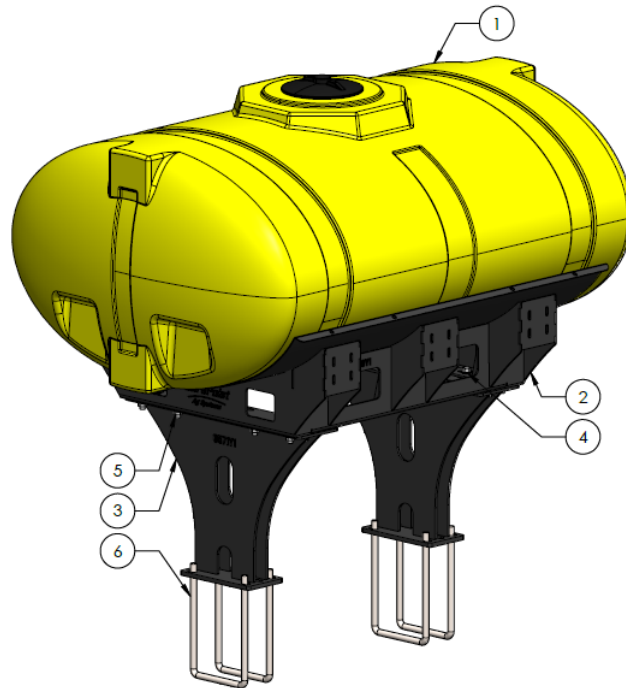




# Parts List and Install Dimensions

## 530-01-025305

ITEM NO.	PART NUMBER	DESCRIPTION	QTY.
1	727-01-HE0300-48-Y	300 Gallon Elliptical Tank—Yellow	1
2	421-6566Y1	300 Gallon Elliptical Tank Cradle (New Design)	1
3	421-6571Y1	20" Light Duty Tank Pedestal	2
4	307-100108-5	Flange Head Bolt, 5/8" x 1-1/2" - G5	12
5	325-10	5/8" Top Lock Hex Flange Nut	12
6	380-1066	3/4" U-bolt Kit - fits 8" x 12" tube (8" opening)	4
7	525-2055	Tank Strap Kit, 2" Wide, 300 Gal & Under	2
8	521-00-100280	Tank Overflow Assembly Bag for 150 - 300 Gallon Tanks	1
9	280-075-AG200	3/4" AG200 Bulk	10'





# Step by Step Instructions

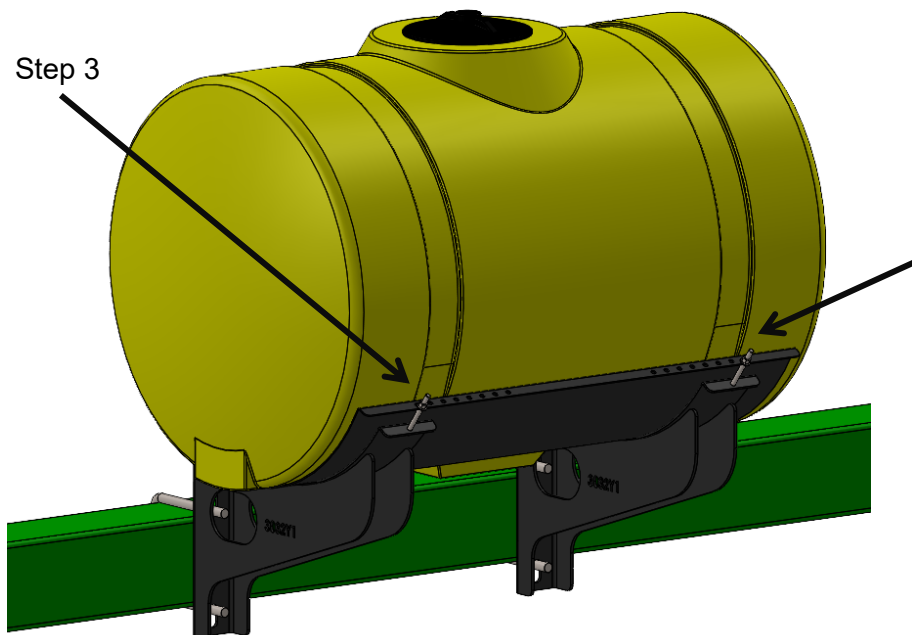
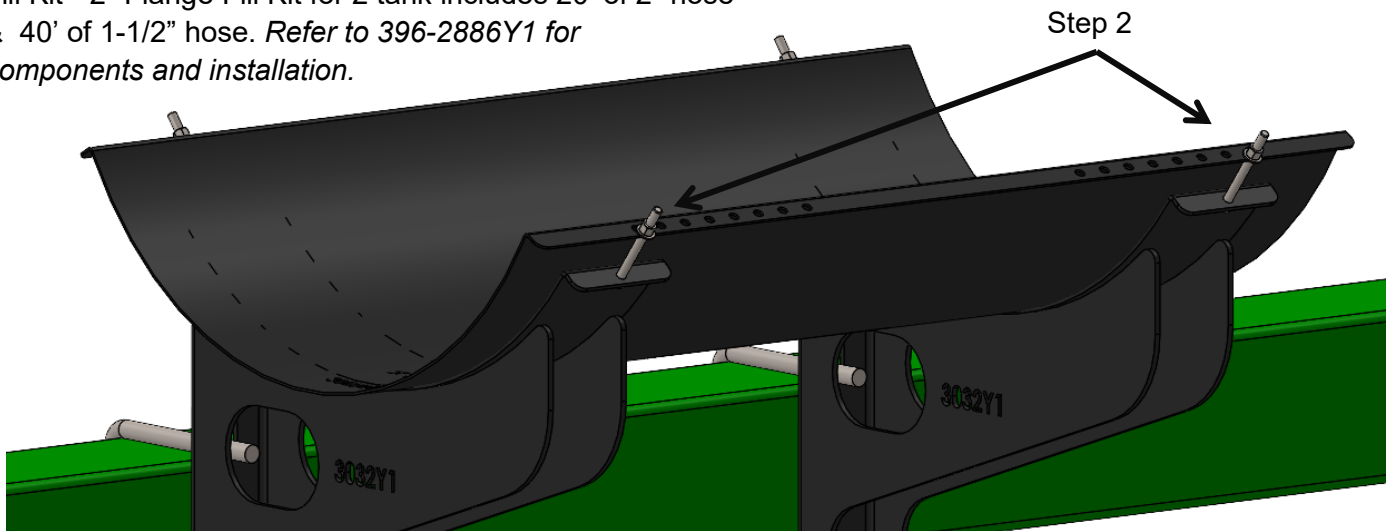
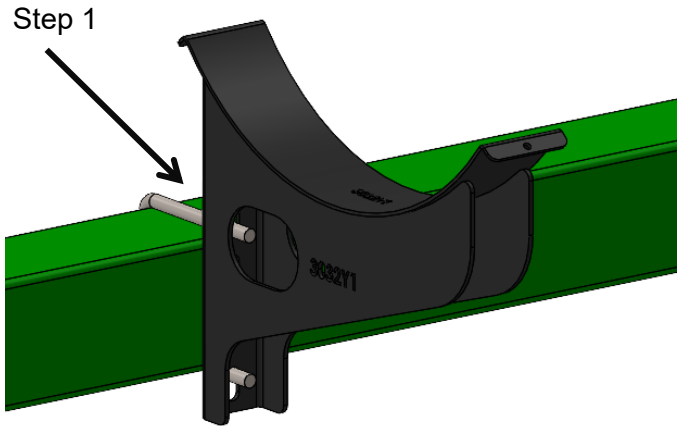
## Offset Bar Mounted Tanks

1. Loosely mount 420-3032Y1 to bar using the provided u-bolt kits. *Repeat for second saddle.*
2. Secure support sheet (150 / 200 Gal) to both saddles using four (4) 3/8" x 4" hex head bolts, washer, and nuts.
3. Install and secure tank (150 / 200 Gal) using provided tank straps. *Repeat steps 1-3 for second tank.*
4. Tighten all bolts after checking for clearance and obstructions.

*Tighten tank straps once again after filling tank.*

Suggested Kit: 520-00-102100

Fill Kit - 2" Flange Fill Kit for 2 tank includes 20' of 2" hose & 40' of 1-1/2" hose. *Refer to 396-2886Y1 for components and installation.*





# Step by Step Instructions

## Hitch Mounted Tanks - 530-01-025305

1. Loosely mount 421-6571Y1 to hitch using the provided u-bolt kits. Repeat for second pedestal.
2. Loosely mount 421-6566Y1 to both pedestals using twelve (12) 5/8" x 1-1/2" flange head bolts and top lock nuts.
3. Install and secure tank using provided tank straps.
4. Tighten all bolts down after checking for clearance and obstructions.

*Tighten tank straps once again after filling tank.*

