



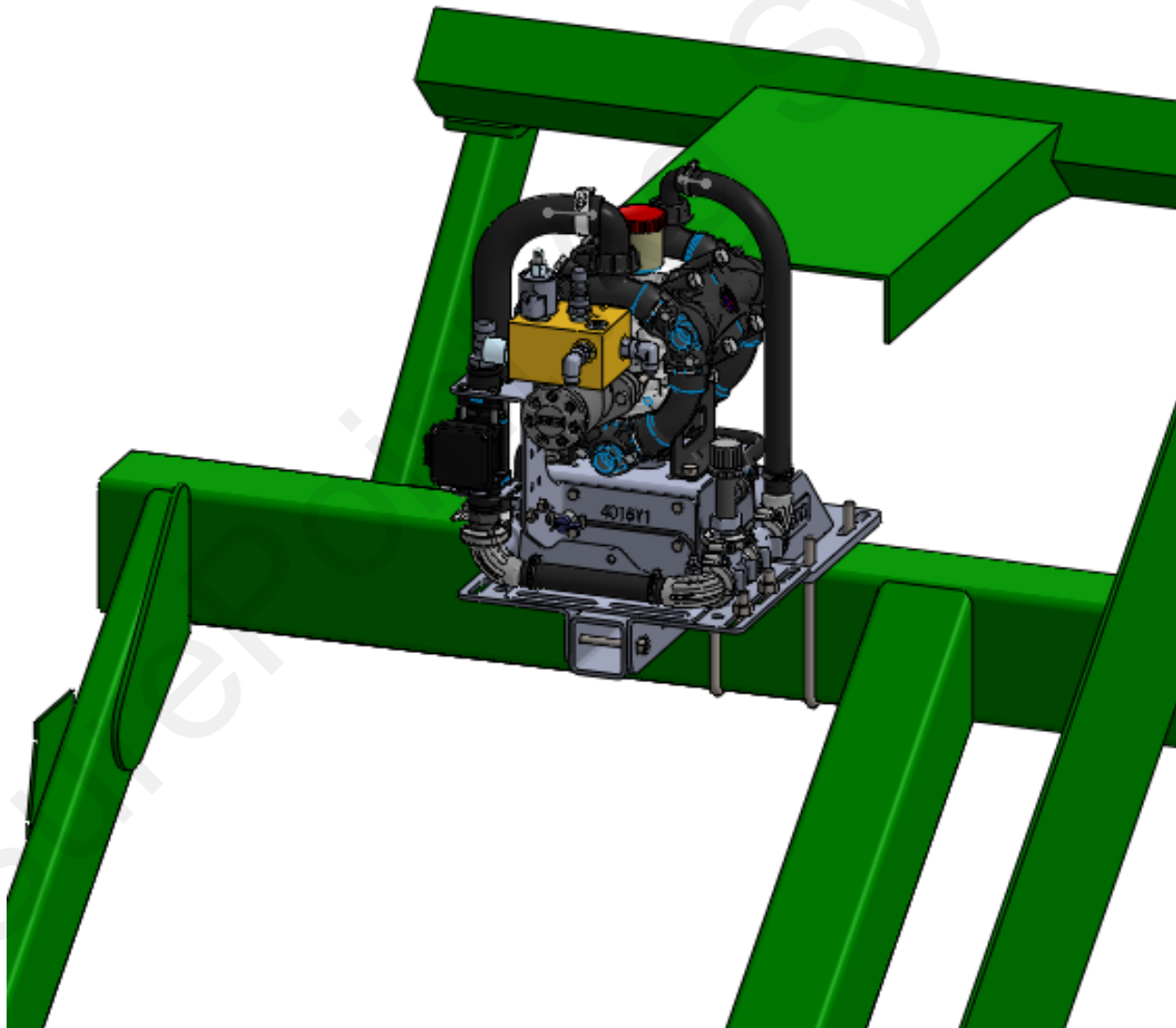
396-5611Y1

John Deere 1790/1795 24R20 Pump Mounting Instructions

Planter Manufacturer: **JOHN DEERE**

Kit Number: 515-03-200750

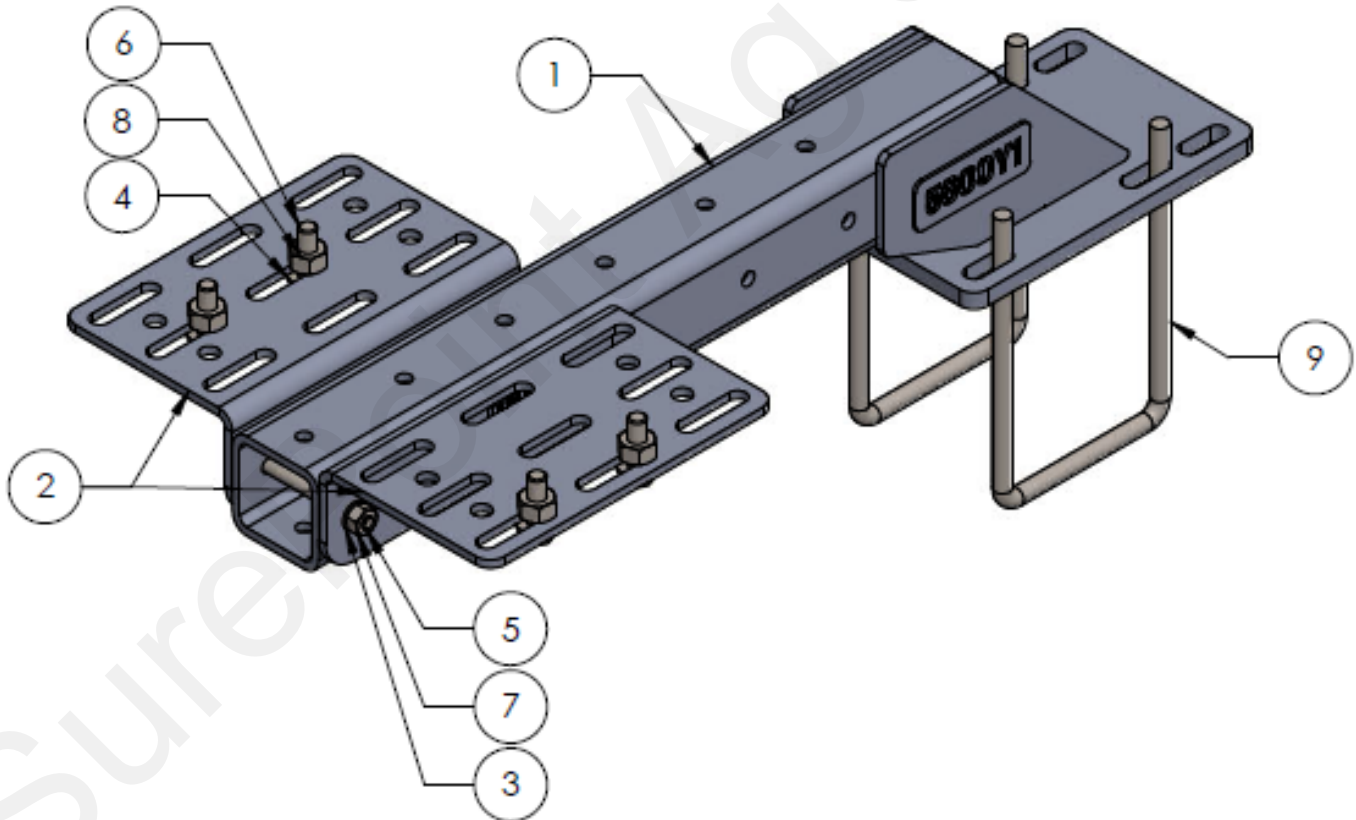
Kit Description: John Deere 1790/1795 24R20 Pump Mounting Kit





Parts List and Exploded View

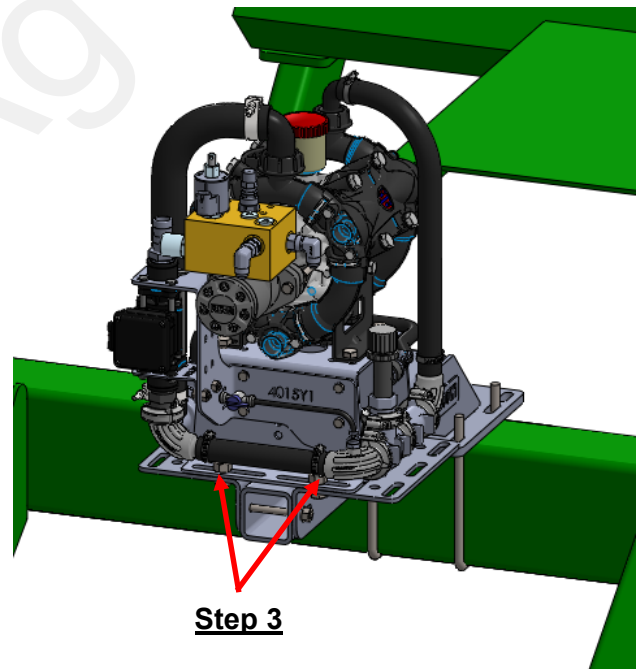
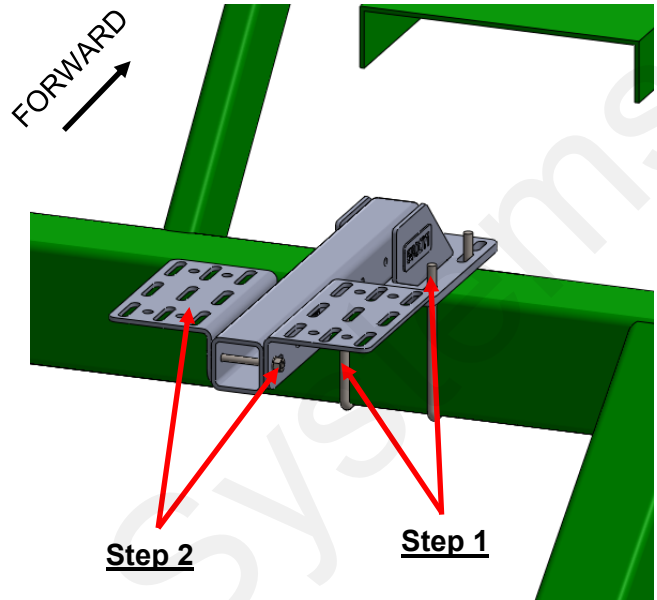
ITEM NO.	PART NUMBER	DESCRIPTION	QTY.
1	400-5600Y1	Reversible Pump Mounting Bracket - Bar Mount Weldment	1
2	400-5605Y1	Reversible Pump Mounting Bracket - Bent Mount Plate	2
3	330-06	3/8" Flat Washer	2
4	330-08	1/2" Flat Washer	4
5	300-060400-5	3/8" x 4" Hex Head Bolt - G5	2
6	300-080108-5	1/2" x 1-1/2" Hex Head Bolt - G5	4
7	323-06	3/8" Flange Nut	2
8	323-08	1/2" Flange Nut	4
9	380-1014	1/2" U-bolt Kit - fits 5" x 7" tube - (5" opening)	2





Step by Step Instructions

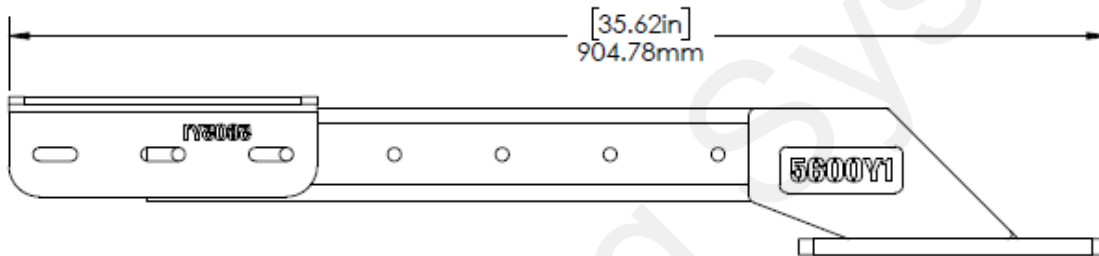
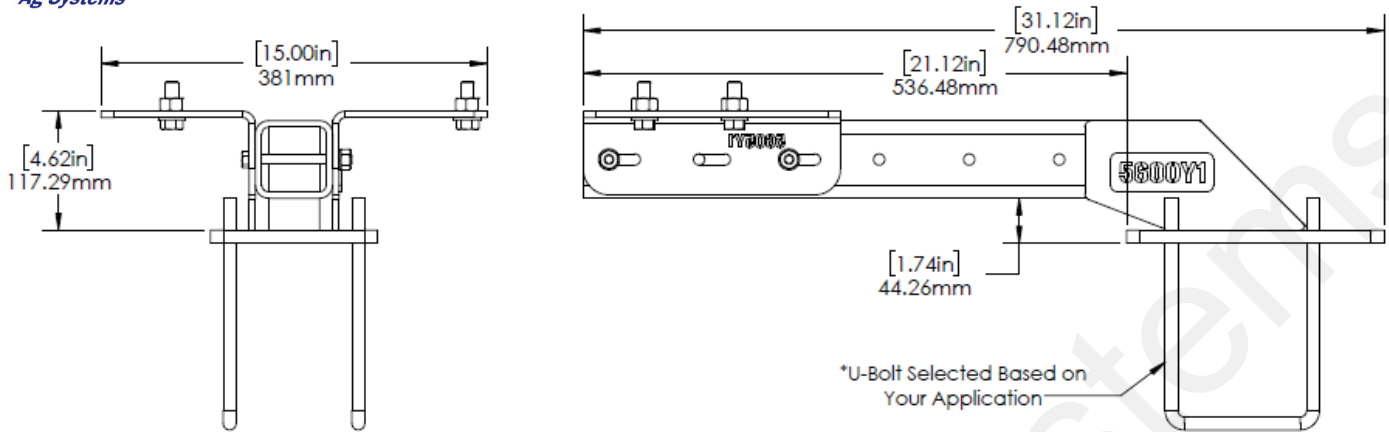
1. Mount 400-5600Y1 bracket to rear bar in the location shown below using the provided U-Bolts. This bracket can be mounted above or below the bar to fit your application. You can also mount the bracket on either side of the planter, it is your choice based on your application.
2. Mount the 400-5605Y1 brackets to the pump using the provided 3/8" hardware. You can mount the 5605Y1 brackets in any of the mounting holes provided. Be sure to use 2 mounting holes so the bracket will have intended effect. Tighten 3/8" hardware to secure the brackets.
3. Mount pump to the 5605Y1 brackets using the provided 1/2" hardware. The pump can be mounted in any configuration to fit your application.
4. Once pump is in place and clear of all obstructions, tighten U-Bolts and 1/2" pump hardware.
5. If you have a second pump, mount bracket on the opposite side of the planter and repeat the steps above.



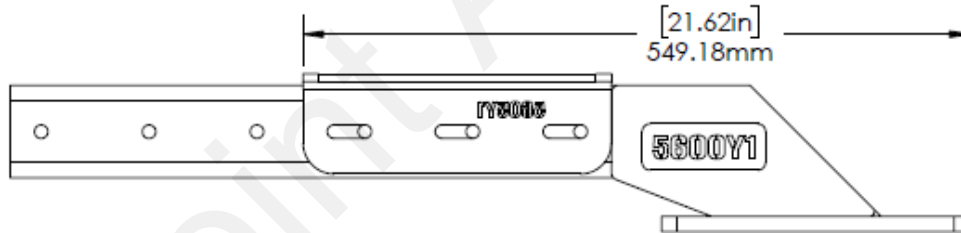
Pump Mount Location



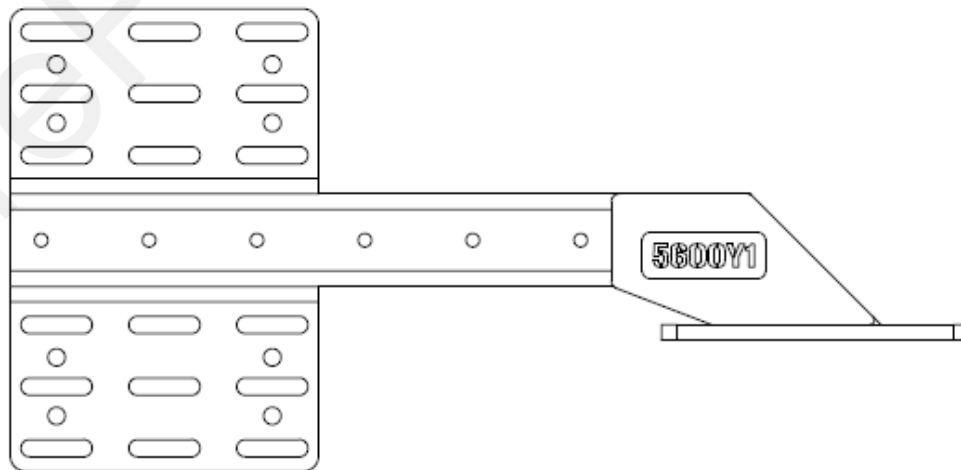
Kit Dimensions and Configurations



Longest Possible Configuration



Shortest Possible Configuration



90-Degree Configuration
(Used for mounting on Vertical Bars)