



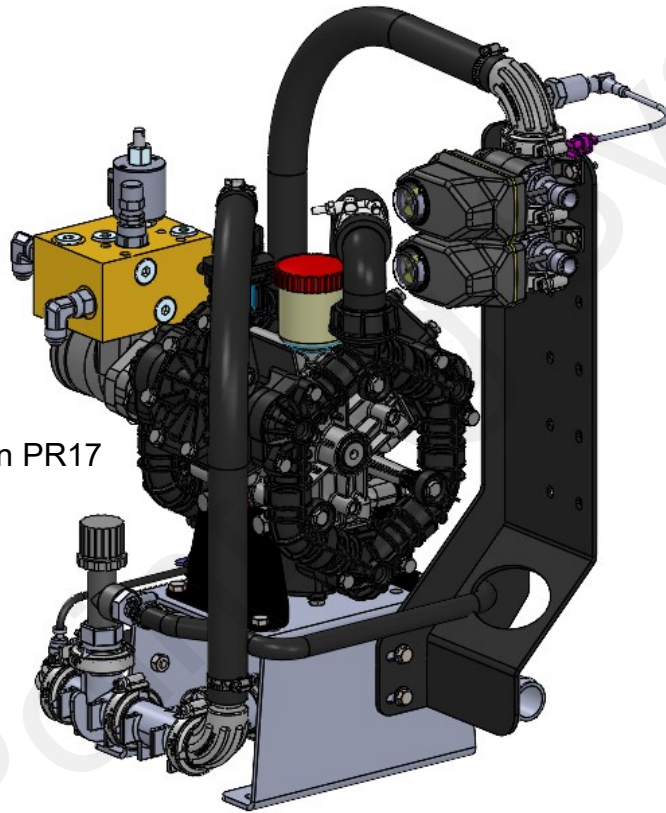
# 396-5594Y1

## PR17/PR30 Section Valve

### Mounting Bracket Instruction Manual

Kit Number: 520-00-035200

Kit Description: PR17/PR30 Pump Mounted Section Valve Kit w/ 2 KZ TX2 Series Electric Ball Valves with Fittings



520-00-035200 shown on PR17

**520-00-035300 (3 KZ TX2 Series Electric Ball Valves)**

**520-00-035400 (4 KZ TX2 Series Electric Ball Valves)**

**520-00-035500 (5 KZ TX2 Series Electric Ball Valves)**

**520-00-035600 (6 KZ TX2 Series Electric Ball Valves)**

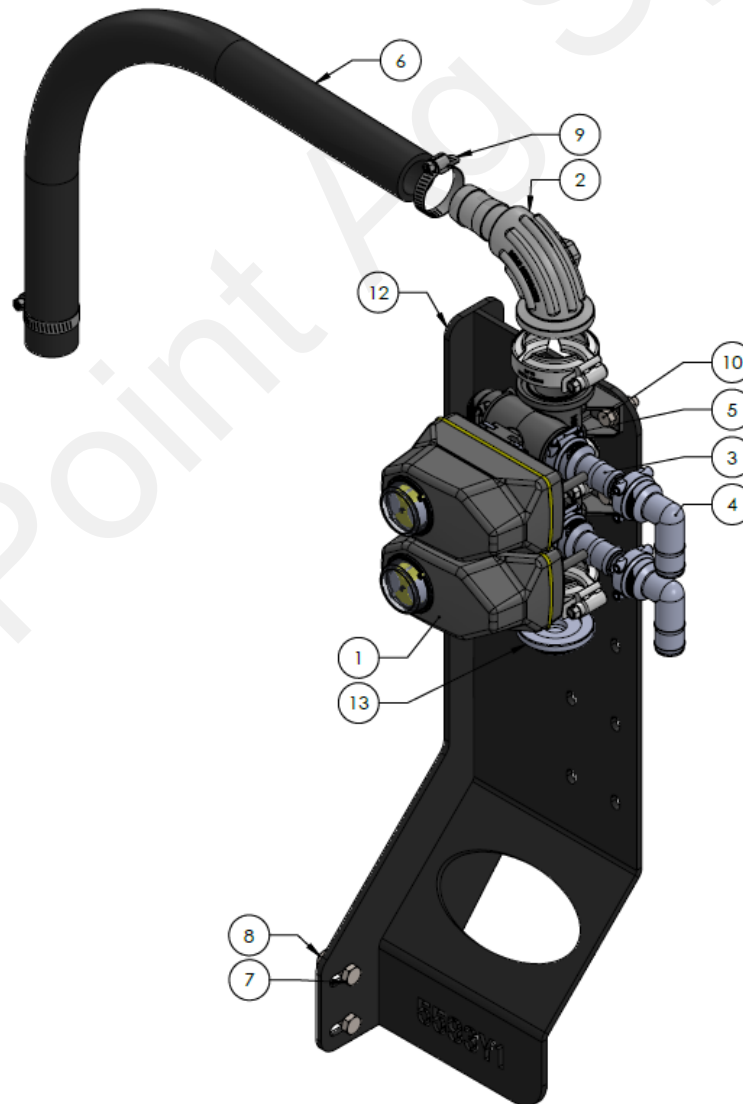


# Parts List

## PR17/PR30 Pump Mounted Section Valve Kits

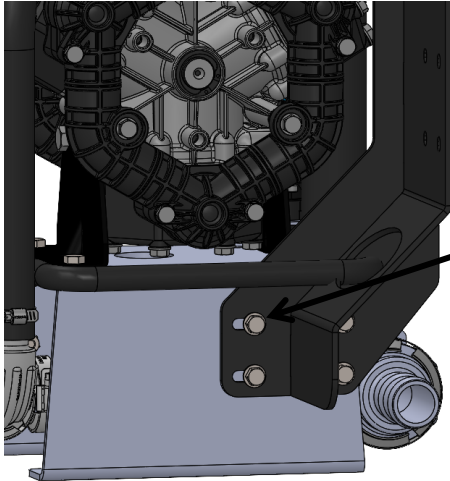
ITEM NO.	PART NUMBER	DESCRIPTION	QTY.
*1	103-5023Y1	KZ Electric TX2 Series 2 Ball Valve Assembly	1
2	105-100BRBSWPG90	1" Manifold x 1" HB - 90 degree Sweep with 1/4" Gauge Port	1
*3	117-QD075	TX2 Series 3/4" HB x female QD fitting	2
*4	117-QD075-90	TX2 Series 3/4" HB x female QD fitting - 90 degree	2
*5	117-QDCLIP	TX2 Valve QD quick connect pin - Stainless	3
6	280-100-AG200	1" AG200 Bulk	24
7	300-050100-SS	5/16" x 1" HCS - SS	2
8	323-05	5/16" Flange Nut	2
9	350-1608	1" Hose Clamp	2
*10	384-1100	KZ TX Series Valve Mounting Hardware Bag	1
*11	399-EH-116	Silicon Grease Packet for TX2 Electric Valves	1
12	400-5593Y1	PR17/PR30 Section Valve Mounting Bracket - Weldment	1
13	521-08-SV	KZ Section Valve Pre-assembly Bag	1

\* Qty will vary for each kit. (Come in assemblies of 2, 3, or 4 valves / 1 fitting per valve / contain 1 extra pin)

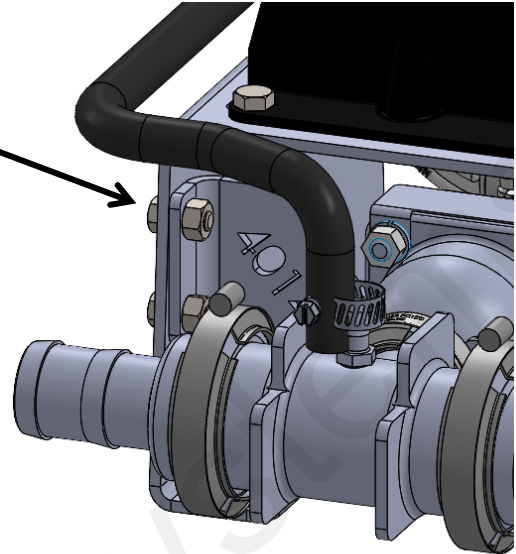


# Step by Step Instructions

1. Remove hardware and support bracket mounted on pump base. *Keep hardware to reuse.*
2. Mount 400-5593Y1 and support bracket back to pump base using two (2) 5/16" x 1" SS bolts and nuts.

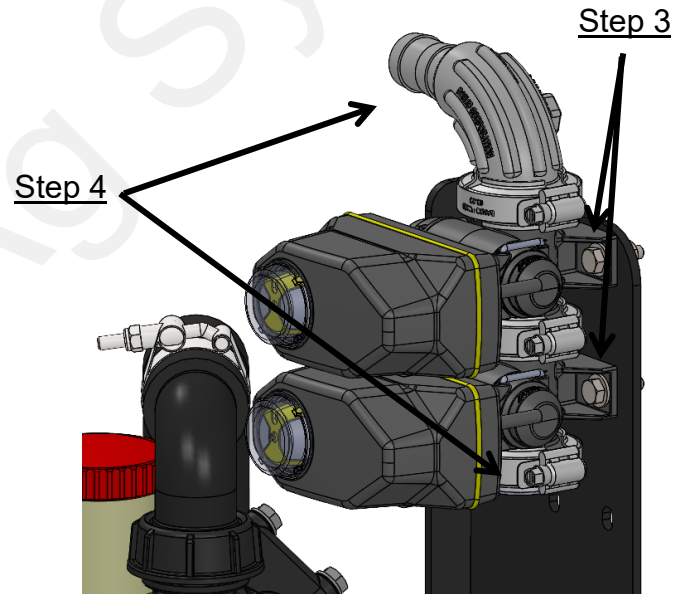


Step 1



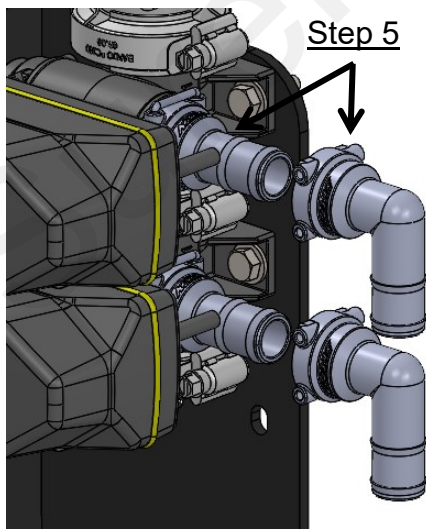
Step 2

3. Mount Section Valve assemblies using hardware provided in 384-1100 hardware bag.
4. Install 105-BRBSWPG90 or fittings of choice from 521-08-SV pre-assembly bag, as shown.
5. Replace valve end caps with 177-QD fitting of choice, using the 117-QDCLIP provided.
6. Route 1" hose from flowmeter to top of section valve stack and secure using two (2) 1" hose clamps.

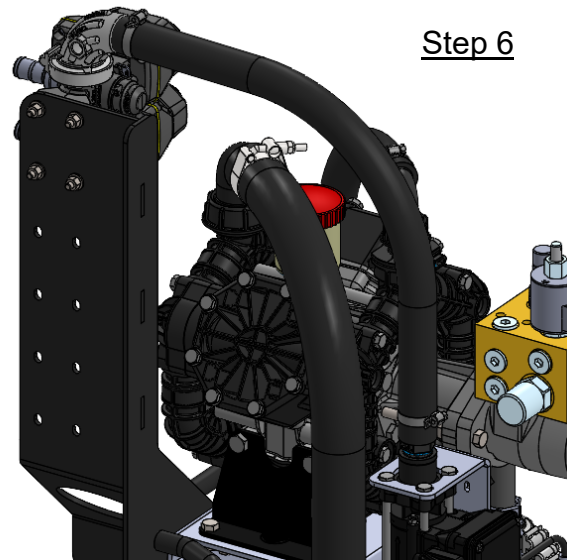


Step 4

Step 3



Step 5



Step 6



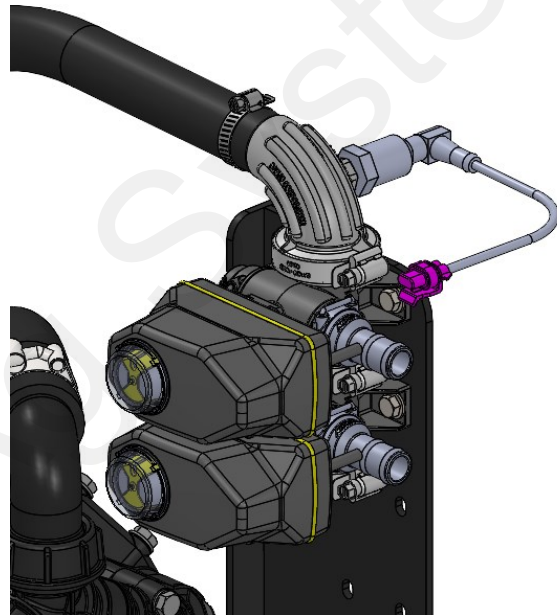
# Suggested Items

Part Number	Description
521-05-050100	2 Wire Pressure Sensor (4 - 20 mA out) with 2 pin 150 MP Tower Connector

Part Number	Description
521-05-050150	3 Wire Pressure Sensor (0 - 5 V DC) with 3 pin 150 MP Tower Connector

## Recommended Location

1. Using thread sealant, thread in pressure sensor into 105-100BRBSWPG90, as shown.
2. Plug pressure sensor connector into the pump harness connector labeled "Pressure".



## Second Install Location

1. Replace 105-100BRBSWPG90 with fitting of choice provided in section valve pre-assembly bag. Reroute hose to flowmeter.
2. Install 105-100PLG025 using manifold clamps and gaskets, all provided in pre-assembly bag.
3. Using thread sealant, thread in pressure sensor into 105-100PLG025, as shown.
4. Plug pressure sensor connector into the pump harness connector labeled "Pressure".

*This install location works best with up to five (5) valves.*

