



396-5578Y1

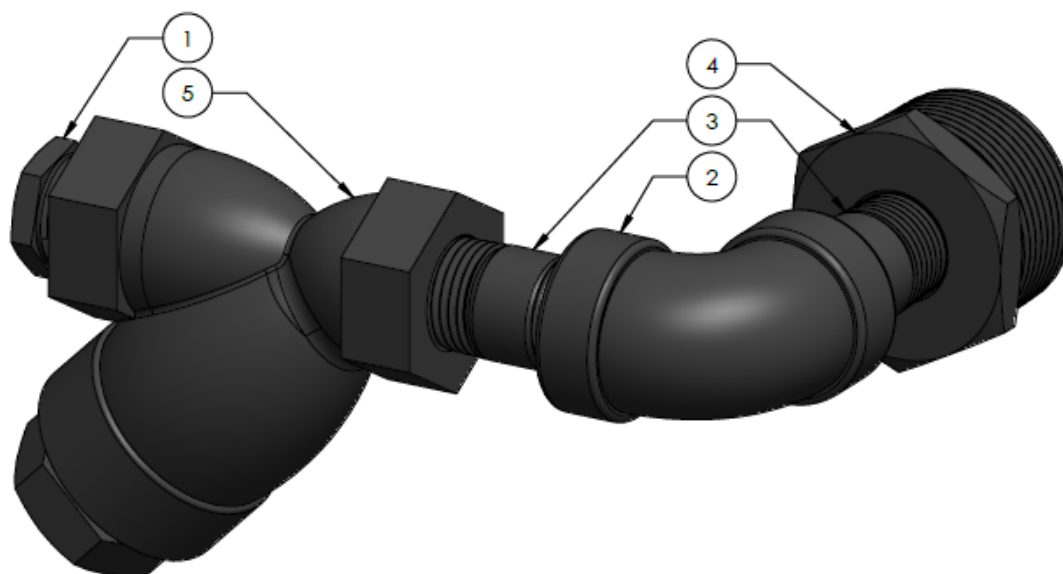
NH3 Adjustable Orifice Valve

Strainer Kit Instructions

Kit Number: 159-01-050100

Kit Description: NH3 Adjustable Orifice Valve Strainer Kit

ITEM NO.	PART NUMBER	DESCRIPTION	QTY.
1	150-050025RB-S80	Forged Steel - 1/2" MPT x 1/4" FPT Reducer Bushing	1
2	150-050EL-90-S80	Forged Steel - 1/2" Elbow 90 Degree	1
3	150-050NIP-2-S80	Seamless Sch 80 Black Iron - 1/2" x 2" Nipple	2
4	150-125050RB-S80	Forged Steel - 1 1/4" MPT x 1/2" FPT Reducer Bushing	1
5	153-02-A1SD-1/2D	A1SD-1/2D - 1/2" FPT Y Straner for NH3	1

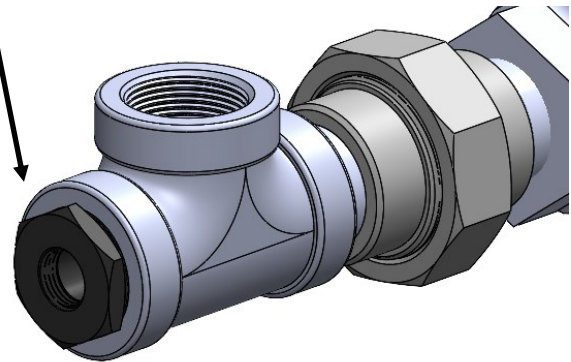
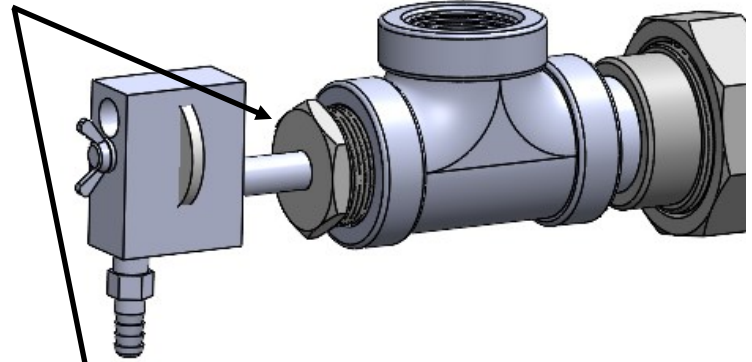




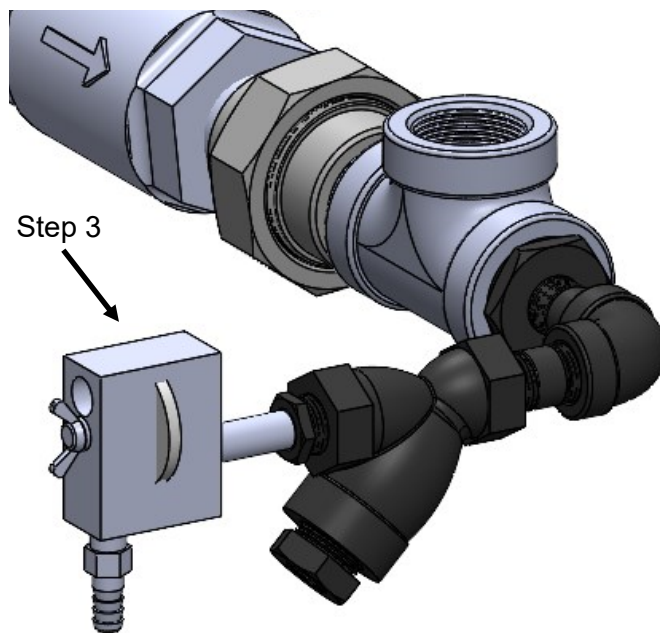
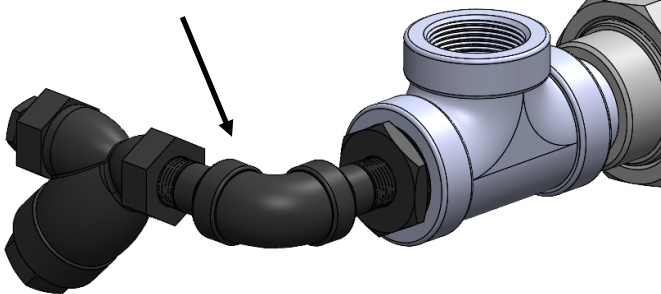
Step by Step Instructions

1. Replace the 1-1/4" MPT x 1/4" FPT reducer bushing that comes with the cooler, with the 150-125050RB-S80 provided in this kit.
2. Assemble the rest of the fittings as shown, one by one, making sure to use enough NH3 rated pipe dope. *Tighten each fitting individually to ensure tight connections.*
3. Thread the Orifice Valve back in after the last reducer bushing.

Step 1



Step 2



Step 3