



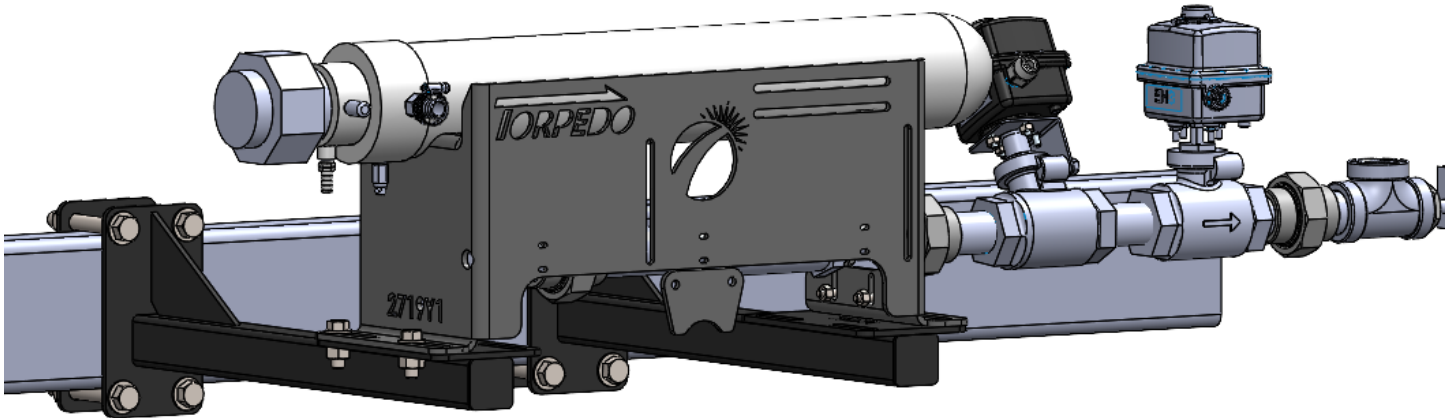
# 396-5565Y1

## Torpedo Mounting Bracket

### For Orthman Dry Cart Instructions

**Kit Number: 516-05-100100**

**Kit Description: Torpedo Mounting Kit for Orthman Dry Cart**

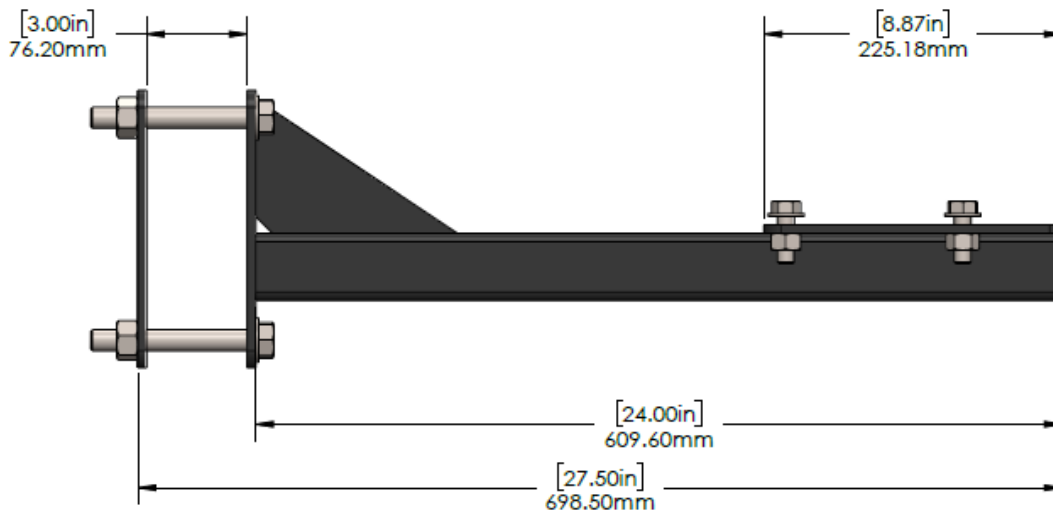
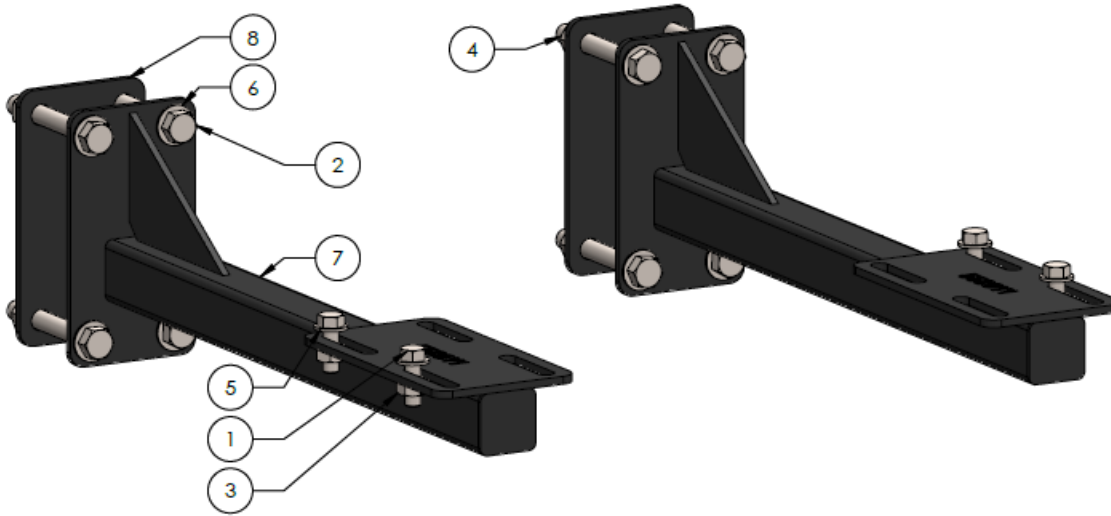




# Parts List and Installation Dimensions

## 516-05-100100

ITEM NO.	PART NUMBER	DESCRIPTION	QTY.
1	300-080108-5	1/2" x 1-1/2" Hex Head Bolt - G5	4
2	300-100500-5	5/8" x 5" Hex Head Bolt - G5	8
3	323-08	1/2" Flange Nut	4
4	323-10	5/8" Flange Nut	8
5	330-08	1/2" Flat Washer	4
6	330-10	5/8" Flat Washer	8
7	400-5560Y1-BK	Torpedo Mounting Bracket for Orthman Dry Cart - Weldment	2
8	400-5561Y1-BK	Torpedo Mounting Bracket for Orthman Dry Cart - Mounting Plate	2





# Step by Step Instructions

1. Loosely mount 400-5560Y1 to the bar using a backer plate and four (4) 5/8" x 5" hex head bolts, washers, and nuts. *Repeat for second bracket.*
2. Mount Torpedo on both brackets and secure using four (4) 1/2" x 1-1/2" hex head bolt, washers, and nuts.
3. Adjust brackets and position as needed and tighten everything down once in desired position.

