



396-5559Y1

John Deere Air Seeder Liquid Fertilizer Kit Instructions

Kit Number: 272-01-FIN60/90-L

Kit Description: Fin Fertilizer and Seed Placer for JD 60/90 Series - Left

Kit Number: 272-01-FIN60/90-R

Kit Description: Fin Fertilizer and Seed Placer for JD 60/90 Series - Right



Kit Number: 272-01-FIN500C-L

Kit Description: Fin Fertilizer and Seed Placer for JD N500 Series Drill
(Includes Spacer) - Left

Kit Number: 272-01-FIN500C-R

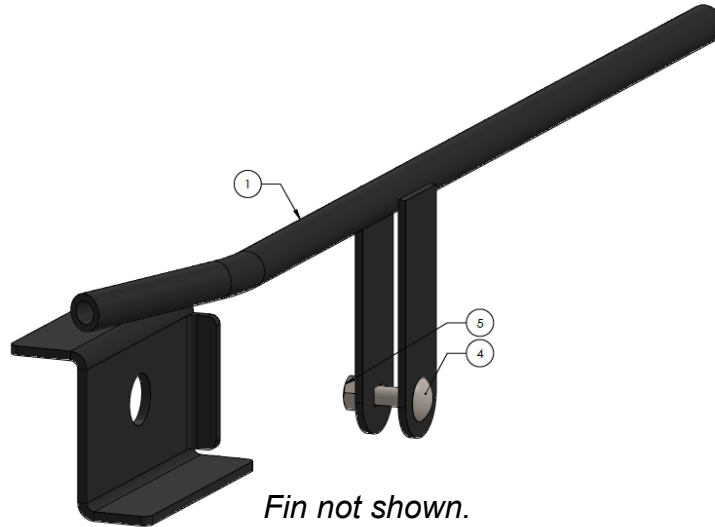
Kit Description: Fin Fertilizer and Seed Placer for JD N500 Series Drill
(Includes Spacer) - Right



Parts List

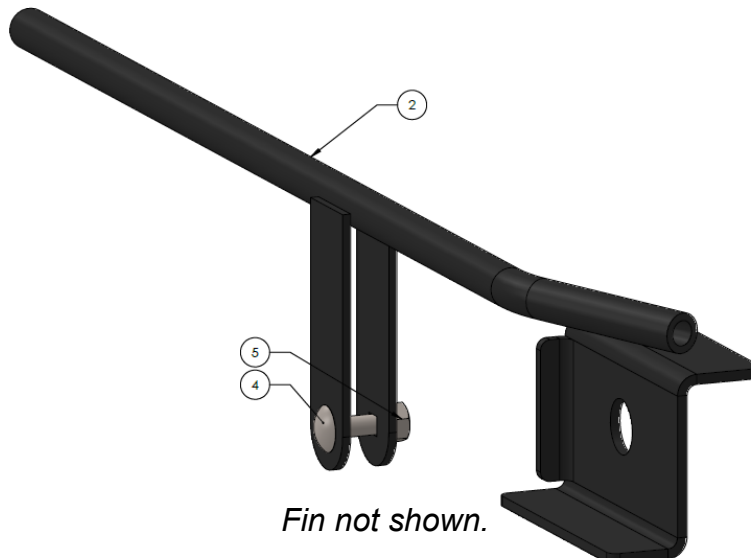
272-01-FIN60/90-L

ITEM NO.	PART NUMBER	DESCRIPTION	QTY.
1	272-02-B-FIN60/90-L	Bracket Only - Left - Fin for JD 60/90 Series Opener	1
2	272-02-P-FIN60/90	Plastic Only - Fin for JD 60/90 Series Opener	1
3	280-050-AG200-1.5	1/2" AG200 Bulk 18" Length for Fins	1
4	304-040100-5	Carriage Bolt - 1/4" x 1" G5	1
5	321-04	1/4" Nylock Nut	1



272-01-FIN60/90-R

ITEM NO.	PART NUMBER	DESCRIPTION	QTY.
1	272-02-B-FIN60/90-R	Bracket Only - Right - Fin for JD 60/90 Series Opener	1
2	272-02-P-FIN60/90	Plastic Only - Fin for JD 60/90 Series Opener	1
3	280-050-AG200-1.5	1/2" AG200 Bulk 18" Length for Fins	1
4	304-040100-5	Carriage Bolt - 1/4" x 1" G5	1
5	321-04	1/4" Nylock Nut	1

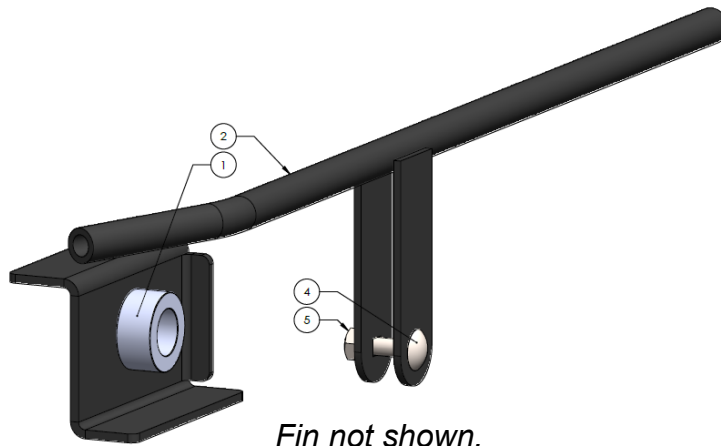




Parts List

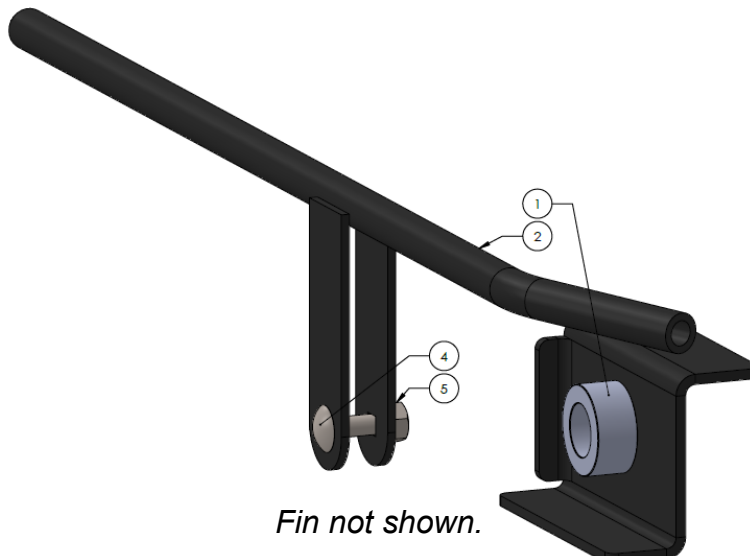
272-01-FIN500C-L

ITEM NO.	PART NUMBER	DESCRIPTION	QTY.
1	272-02-5538Y1	Fin Spacer for N500 Series Drill	1
2	272-02-B-FIN60/90-L	Bracket Only - Left - Fin for JD 60/90 Series Opener	1
3	272-02-P-FIN60/90	Plastic Only - Fin for JD 60/90 Series Opener	1
4	280-050-AG200-1.5	1/2" AG200 Bulk 18" Length for Fins	1
5	304-040100-5	Carriage Bolt - 1/4" x 1" G5	1
6	321-04	1/4" Nylock Nut	1



272-01-FIN500C-R

ITEM NO.	PART NUMBER	DESCRIPTION	QTY.
1	272-02-5538Y1	Fin Spacer for N500 Series Drill	1
2	272-02-B-FIN60/90-R	Bracket Only - Right - Fin for JD 60/90 Series Opener	1
3	272-02-P-FIN60/90	Plastic Only - Fin for JD 60/90 Series Opener	1
4	280-050-AG200-1.5	1/2" AG200 Bulk 18" Length for Fins	1
5	304-040100-5	Carriage Bolt - 1/4" x 1" G5	1
6	321-04	1/4" Nylock Nut	1





Step by Step Instructions

1. Cut one 44" long piece of black 1/4" tubing for each fin to be installed.
2. Press one piece of tubing into the three holes and track cut on the back side of each fin.
3. Remove the in furrow seed firming wheel. The bolt, nut, and large spacer will be reused for fin attachment.
4. Slide the fin with tubing into the steel tube of the fin bracket.
5. Insert same bolt and spacer from step 1 or use the spacer provided in the kit, if applicable.
6. Insert the 1/4" carriage bolt through the tabs on the fin bracket to hold the upper part of the bracket to the arm.



Step 2



Step 6



Step 4

Step 5



Step by Step Instructions

6. Push the tubing protection hose on top of the fin bracket steel tube 1/2" to 3/4".
7. Install the check valve by pushing it into the tubing from the fin.
8. Install fertilizer manifold system and proceed with step 9.
9. Tie the 1/4" tubing and check valve to seed delivery hose. We recommend a minimum of 6 zip ties to prevent crop residue damaging the fertilizer tubes.

