



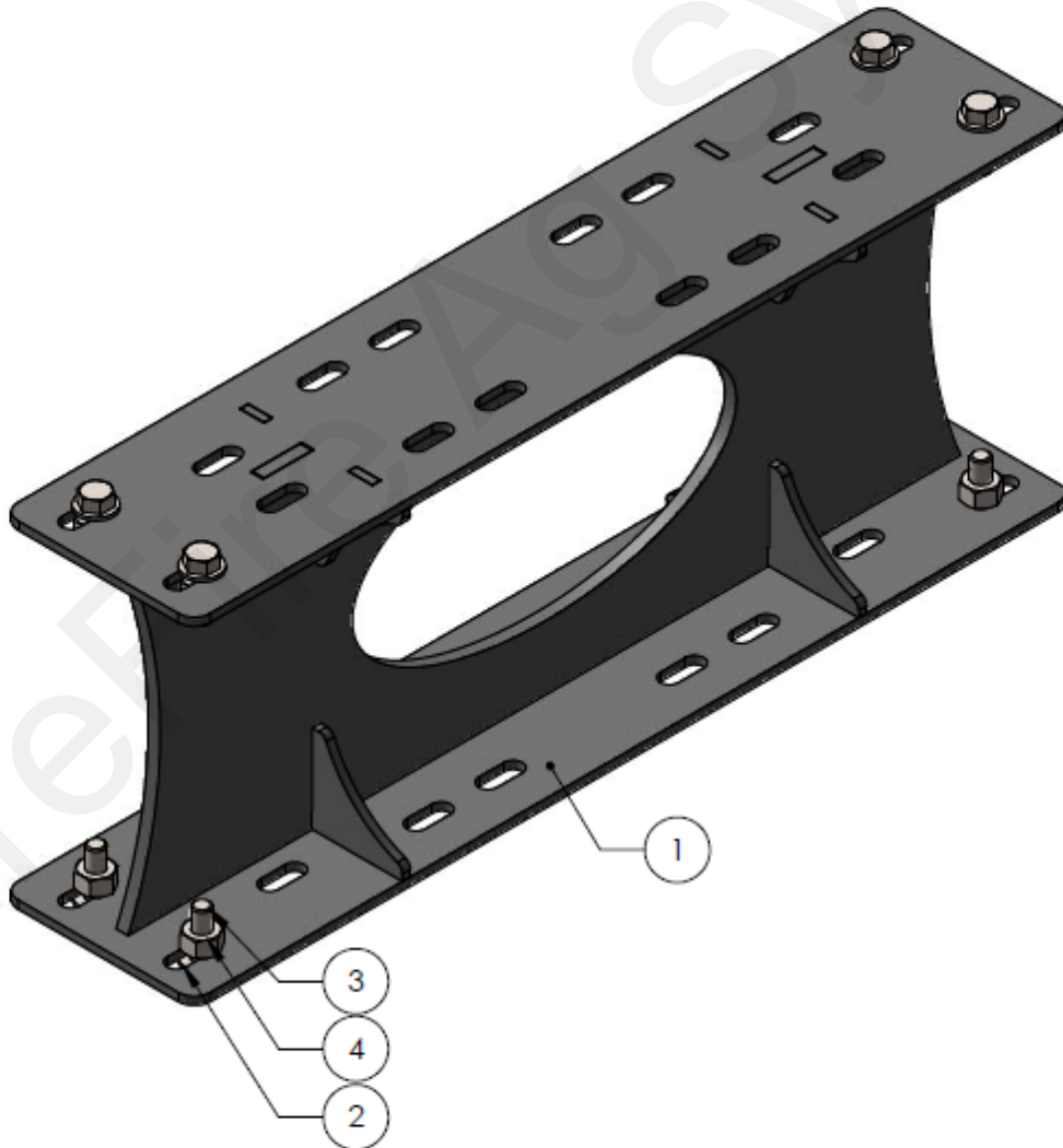
396-5469Y1

Wing Tank Row Box Lift Kit

Mounting Instructions

Kit Number: 530-00-800100

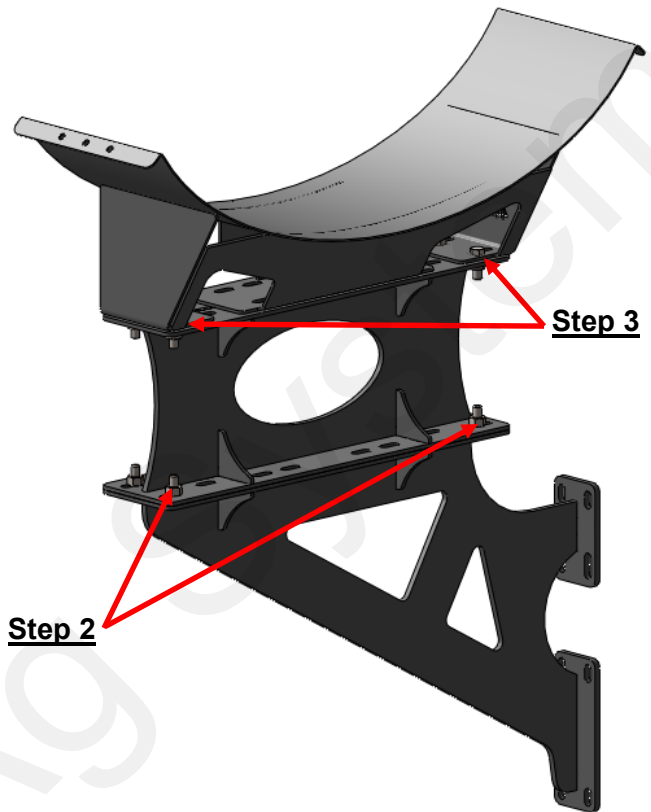
ITEM NO.	PART NUMBER	DESCRIPTION	QTY.
1	420-4598Y1-BK	SureFire Ag Wing Tank Row Box Riser Bracket	4
2	330-08	1/2" Flat Washer	32
3	300-080108-5	1/2" x 1-1/2" Hex Head Bolt - G5	32
4	323-08	1/2" Flange Nut	32



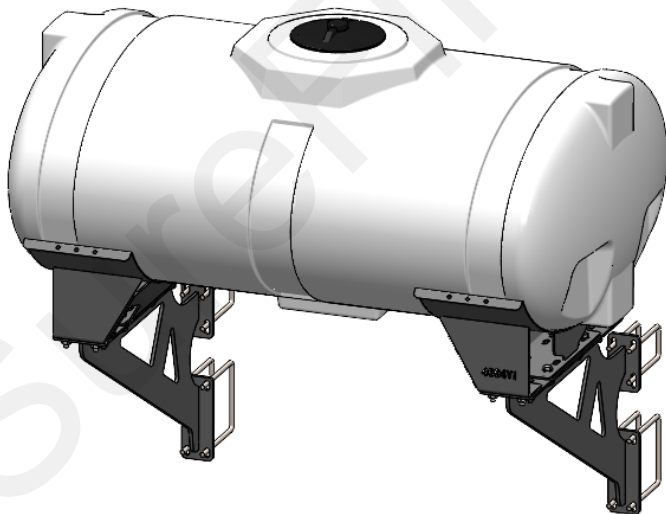


Step by Step Instructions

1. If you have a row box planter, you will receive this kit with your regular tank mounting brackets. Follow the instructions for your specific planter, and stop after you mount the wing tank brackets to the wings of your planter.
2. Place the 4598Y1 bracket on top of your wing tank bracket. Using the provided hardware, loosely bolt the riser bracket to your wing tank bracket.
3. Place the tank saddle on top of the riser bracket and loosely bolt them together. Follow the remaining instructions on your specific tank kit.



Wing Tank Kit Without Row Box Lift Kit



Wing Tank Kit With Row Box Lift Kit

