



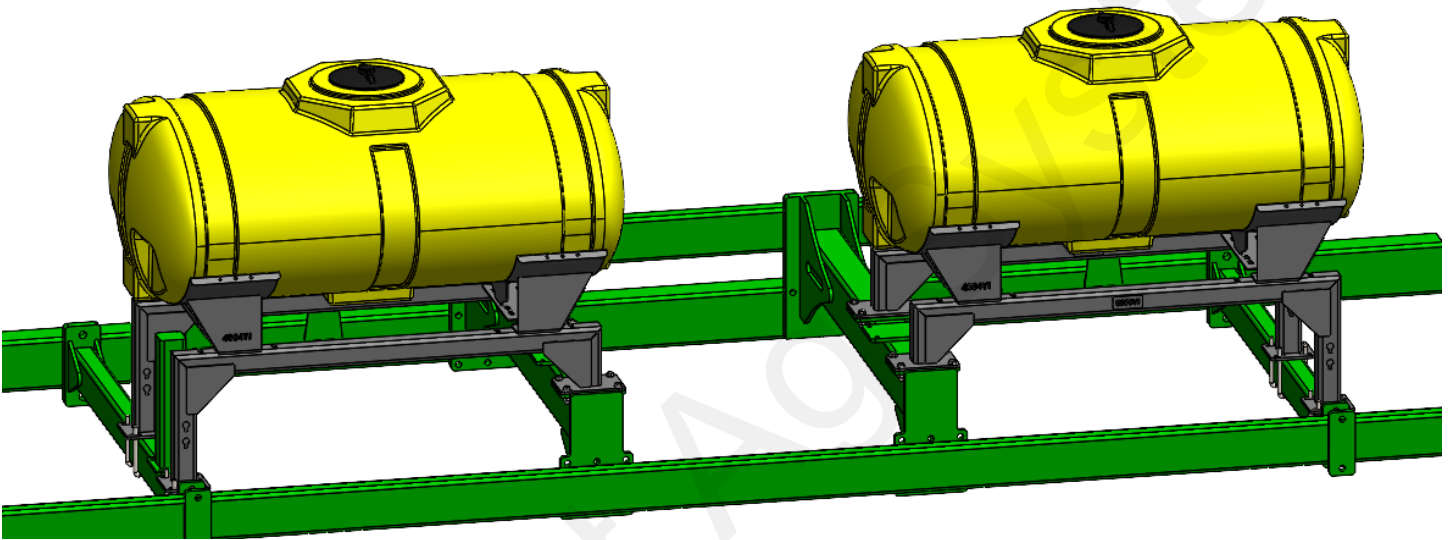
396-5435Y1

John Deere 1745 Tank

Mounting Instructions

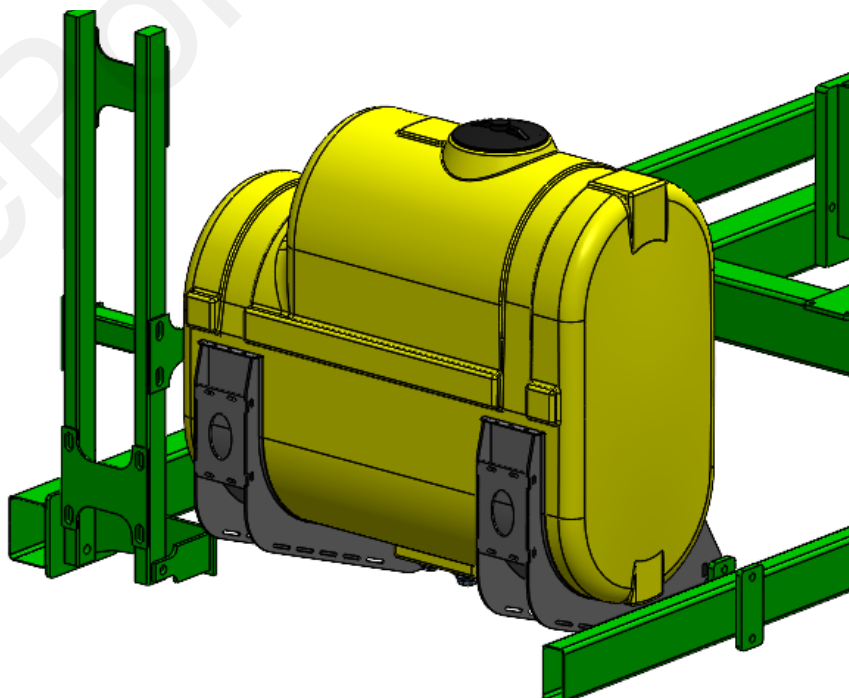
Kit Number: 530-01-475050

Kit Description: John Deere 1745 Row Box Planter Dual 200 Gallon Tank Kit



Kit Number: 530-01-475075

Kit Description: John Deere 1745 CCS Planter Dual 200 Gallon Tank Kit





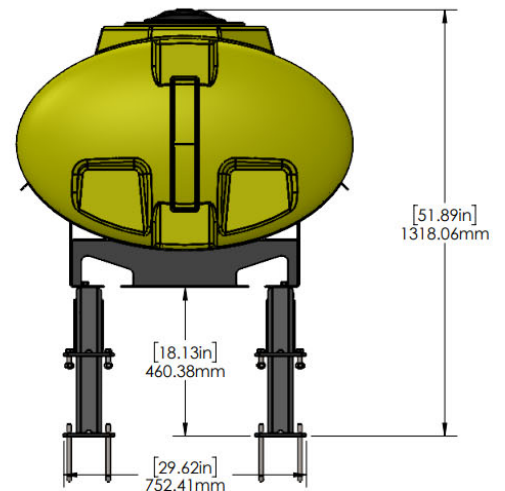
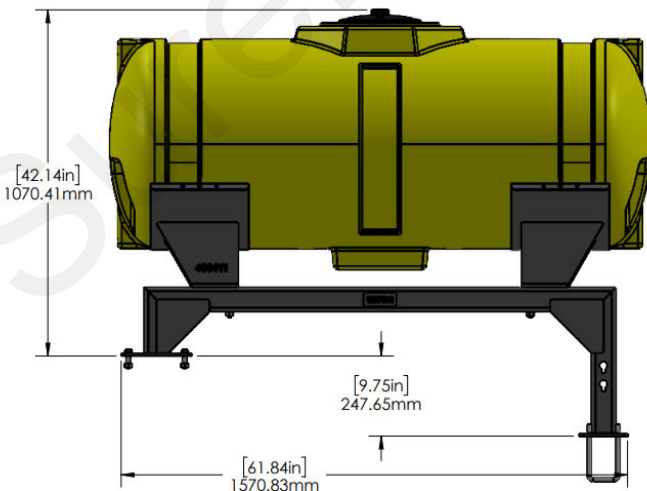
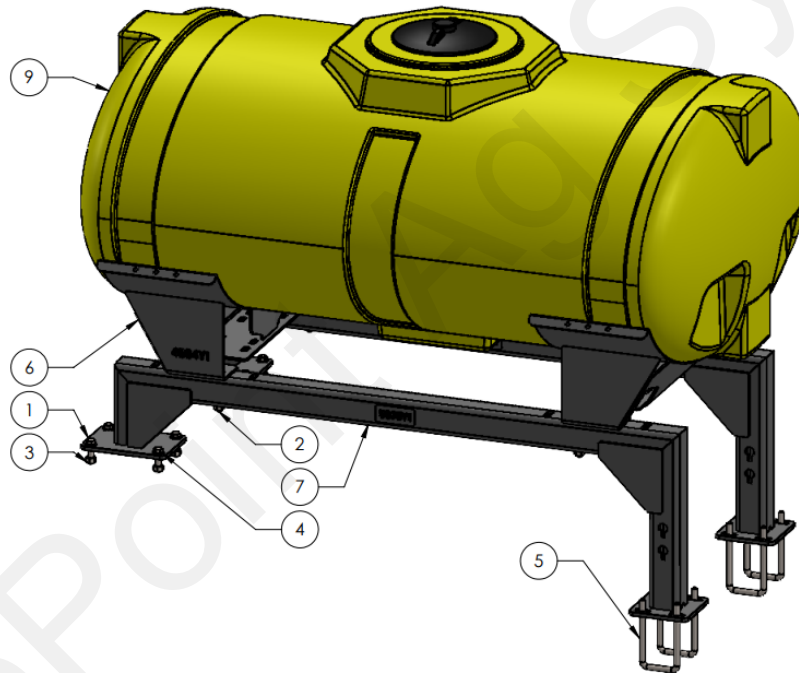
Parts List and Installation Dimensions

530-01-475050

Row Box Planter Dual 200 Gallon Tank Kit

ITEM NO.	PART NUMBER	DESCRIPTION	QTY.
1	300-080200-5	1/2" x 2" Hex Head Bolt - G5	8
2	300-080408-5	1/2" x 4-1/2" Hex Head Bolt - G5	8
3	323-08	1/2" Flange Nut	16
4	330-08	1/2" Flat Washer	16
5	380-1009	1/2" U-bolt Kit - fits 3" x 5" tube - (3" opening) includes flange nuts	4
6	420-4694Y1-BK	Tank Saddle Weld Assembly for 200 Gal Elliptical Tank	2
7	421-5075Y1-BK	JD 1745 Row Box Tank Mount Bracket	2
8	525-2055	2" Strap Kit for Tanks under 300 Gal	2
9	727-01-HE0200-41-Y	Elliptical Tank - 200 Gal - Yellow	1

Quantities shown are for 1 tank.



Step by Step Instructions

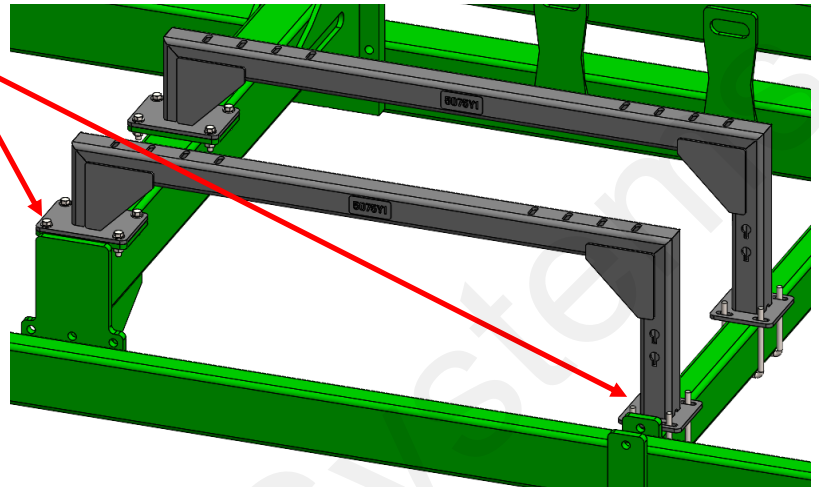
1. Loosely mount 421-5075Y1-BK to the frame, using four (4) 1/2" x 2" hex head bolts, washers, and nuts. Use the provided u-bolts, on opposite end.

(Repeat for second 421-5075Y1)

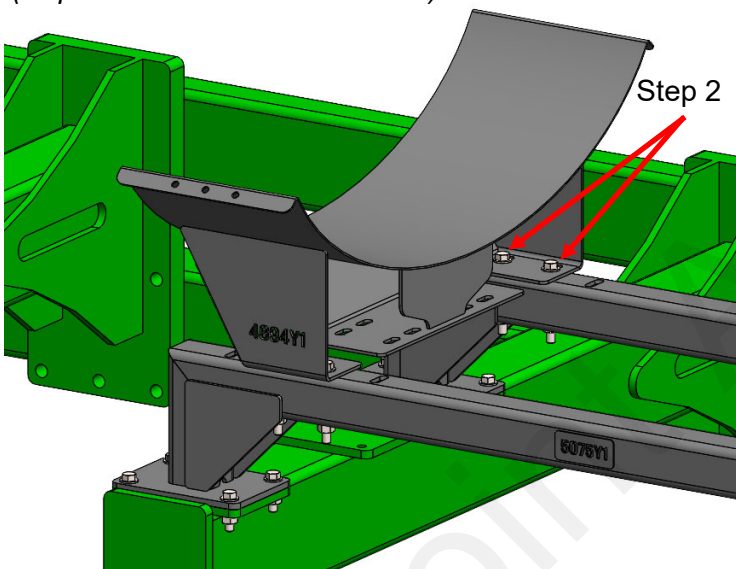
2. Using middle slots, loosely mount 420-4694Y1 to 421-5075Y1 using four (4) 1/2" x 4-1/2" hex head bolts, washers, and nuts.

(Repeat for second 420-4694Y1)

Step 1



Step 2

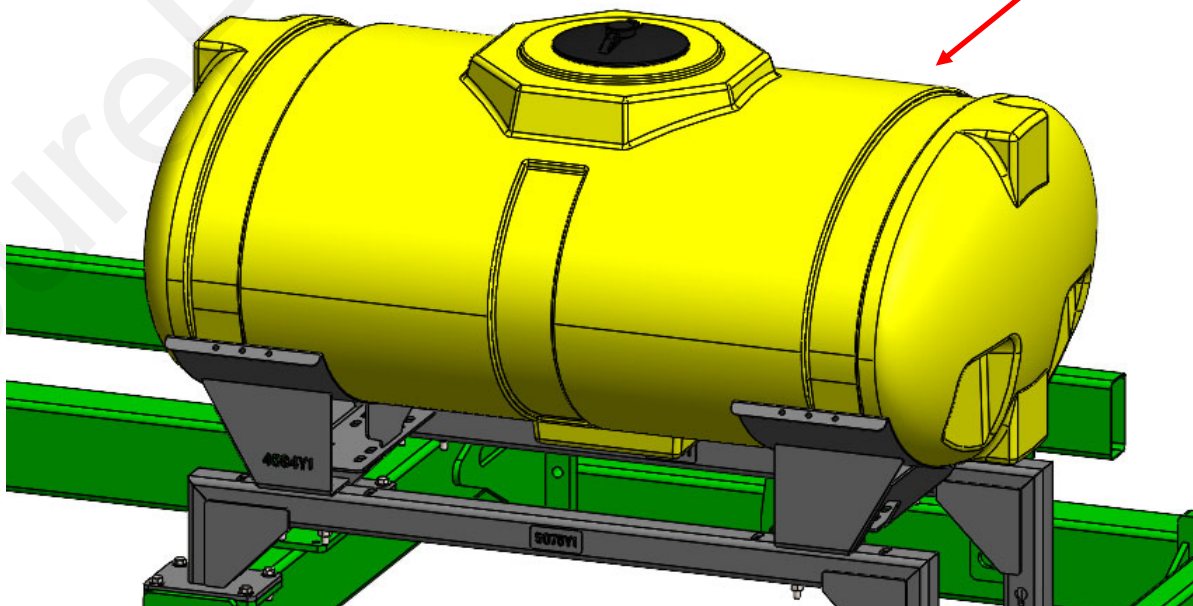


3. Finally, install tank in the saddles and fasten the tank strap mounting brackets, and tank straps. Check for clearance.

Note: Tighten straps again once the tanks have been filled.

4. Repeat steps 1-3 on opposite side of the implement for the 2nd tank.

Step 3





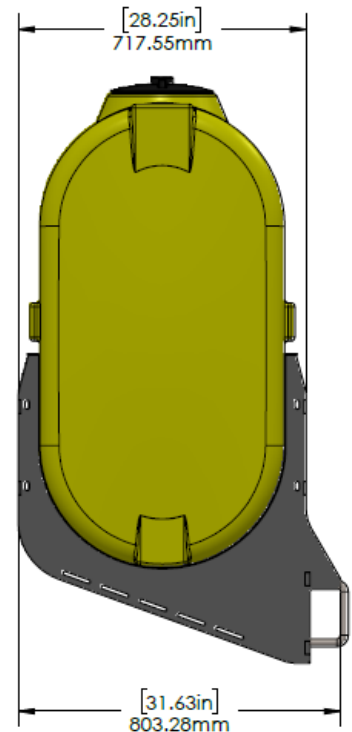
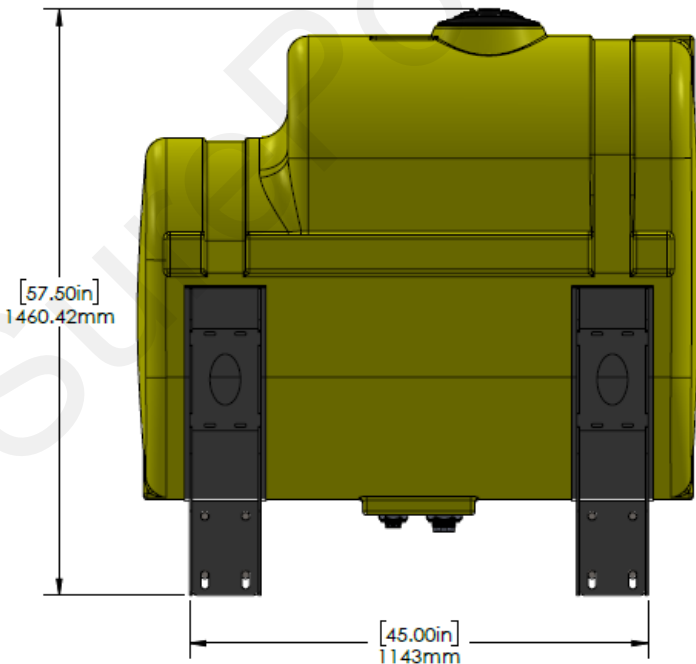
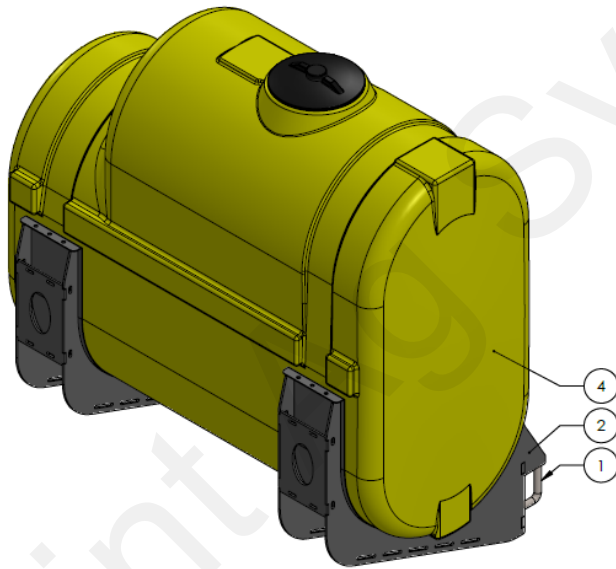
Parts List and Installation Dimensions

530-01-475075

CCS Planter Dual 200 Gallon Tank Kit

ITEM NO.	PART NUMBER	DESCRIPTION	QTY.
1	380-1082	3/4" U-bolt Kit - fits 5" x3" tube- (5" opening) includes flat & lock washer, nut	4
2	400-5080Y1-BK	Cutaway Tank Mount Bracket - Weldment	2
3	525-2055	2" Strap Kit for Tanks 300 Gal & under	2
4	727-08-CAW0200-24-Y	Sidemount Cutaway Tank - 200 Gal Yellow	1

Quantities shown are for 1 tank.





Step by Step Instructions

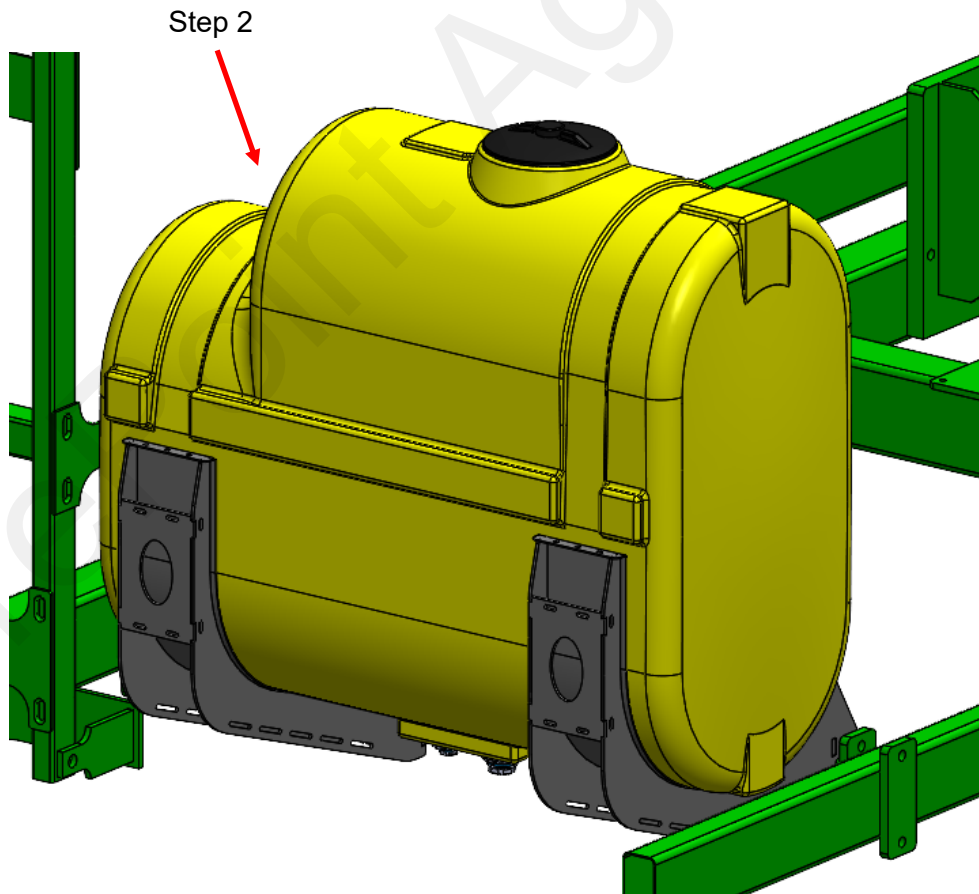
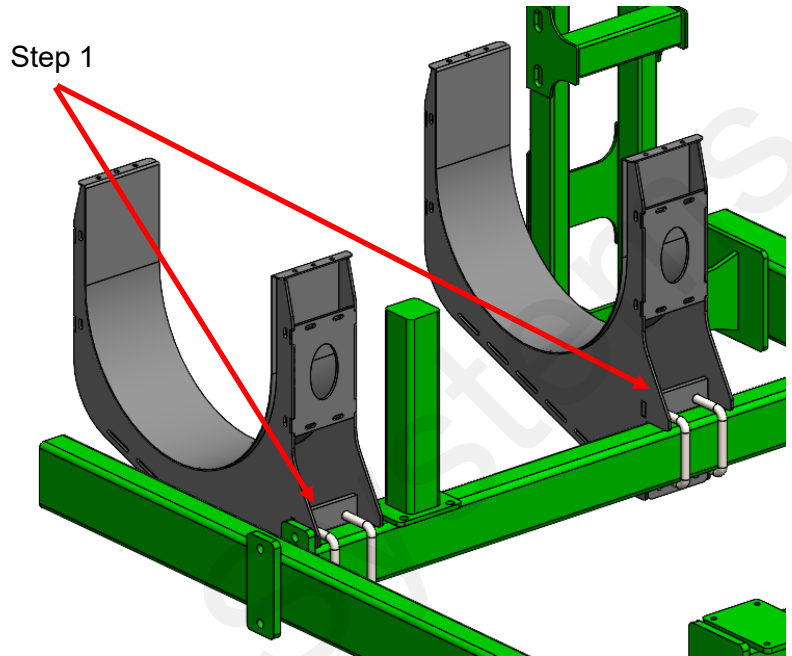
1. Loosely mount 420-5080Y1-BK to the frame, using the provided u-bolts.

(Repeat for second 420-5080Y1)

2. Install tank in saddles and fasten the tank strap mounting brackets, and tank straps. Check for clearance.

Note: Tighten straps again once the tanks have been filled.

3. Repeat steps 1 and 2 on opposite side of the implement for 2nd tank.





Hydraulic Cylinder Depth Stops for Marker Clearance

If you have a planter with markers, you may have to use Hydraulic cylinder depth stops so the markers will clear your tank. If you have any marker clearance issues, these depth stops will need to be purchased from your local John Deere dealership.

1. After the install of your tank kit, determine the extra marker clearance needed to clear the tank. The PM30098 Depth Stop Kit provides 4 depth stops of varying thicknesses: 3/4", 1", 1-1/4", and 1-1/2". You may use one, some, or all of these stops to get the proper clearance from your tank.
2. Open the planter and set the planter to "Plant" mode. Lay the markers out and place the necessary depth stops on the cylinder rods.
3. Retract the markers and fold the planter carefully. Your markers may not clear the tank on the first try. When folding the planter, watch the marker clearance carefully and adjust marker stops as necessary for your application.

**John Deere Hydraulic
Cylinder Depth Stop Kit**



Place depth stops here: