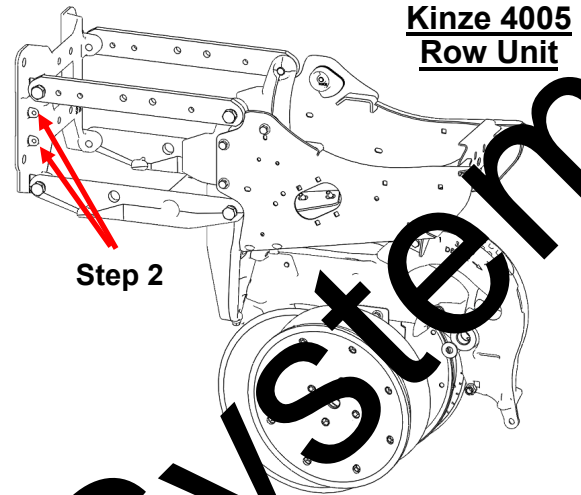




Step by Step Instructions

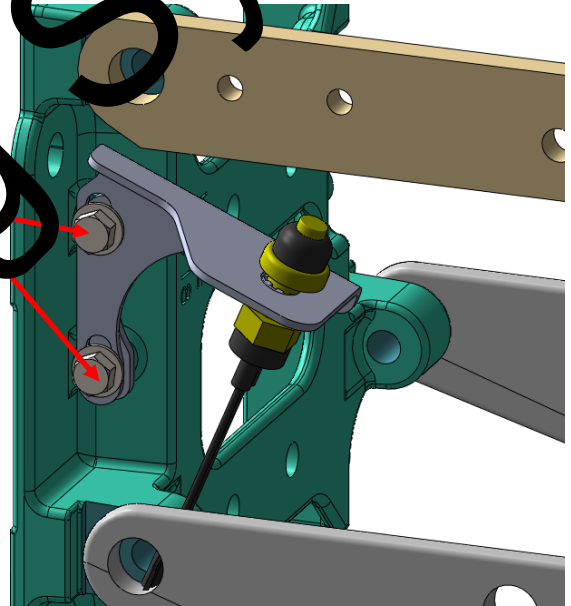
1. Insert the button switch into the hole opening on the bracket as shown in the picture.
2. Mount the height switch bracket and spacer plate to the row unit mount casting using the provided 3/8" hardware (You may have to use a tap to clean rust/debris from these threads before mounting).
3. If your planter is mechanical drive, remove the mounting bolts from the mechanical drive shaft support bracket that is using the mounting holes shown in Step 2 and bolt the height switch bracket directly over the shaft support bracket. This will eliminate the use of the spacer plate.
4. While the planter is lifted, adjust the switch bracket to ensure the switch is fully compressed. Tighten down the 3/8" hardware.



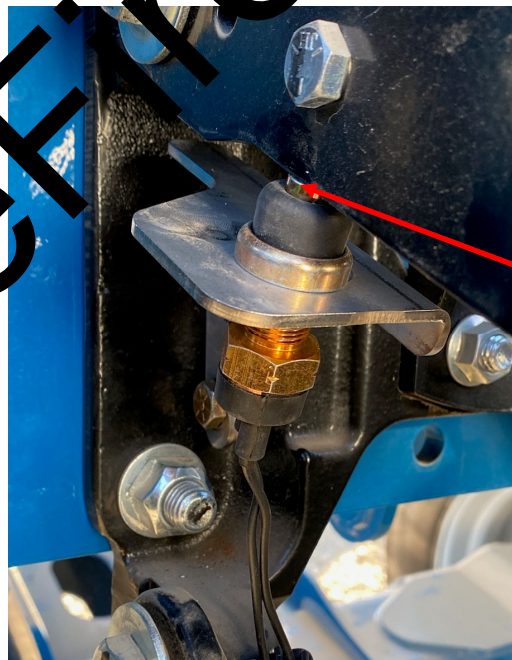
Step 2



Step 1



Step 2



Step 3