

396-5298Y1



# QuickDraw Replacement Parts Guide

# Table of Contents

---

<b>QuickDraw Valve Assemblies .....</b>	<b>3-10</b>
Replacement Valves by P/N.....	3
Replacement Part Numbers by Category .....	4
Gen2 QuickDraw Valves .....	5
QuickDraw MAX 2000 (MY2020) .....	6
QuickDraw MAX 3000 (MY2021-Present) .....	7
QuickDraw Main Plumbing Assembly Valves .....	8
Carrier Blending Valve Assembly.....	9
<b>QuickDraw Mass Meter.....</b>	<b>10-11</b>
Power/Signal Conditioner .....	10
R100S Mass Meter.....	11
R200S Mass Meter.....	11
<b>QuickDraw Water Flowmeter .....</b>	<b>12-13</b>
Gen2 Water Flowmeter with Display.....	12
QuickDraw 3000 Flowmeter .....	13
<b>QuickDraw Manual Valves.....</b>	<b>14</b>
Aux/Rinse Valve .....	14
Product Hose Rinse Valve .....	14
Eductor Water Supply Valve .....	14
<b>QuickDraw Electronic Components.....</b>	<b>15</b>
Emergency Stop (E-Stop) .....	15
Red LED Alarm Flasher.....	15

# Replacement Parts by Valve P/N

Valve Assembly	103-2101Y1	1" KZ Valve Assembly - CAN Control
Actuator	104-3614Y1	QuickDraw Replacement CAN Actuator for 1" Valve
Valve Body	104-C2F-001	1" QD Product Valve Body Only For 103-2101Y1

Valve Assembly	103-4775Y1	1-1/2" KZ Valve Assembly - CAN Control
Actuator	104-4844Y1	QuickDraw Replacement CAN Actuator for 1.5" Valve
Valve Body	104-T2H22	1.5" KZ Valve Only (Replacement for 1.5" QD Product Valve)

Valve Assembly	103-2102Y1	2" Valve for KZ QD Valve Assembly - CAN Control
Actuator	104-3636Y1	QuickDraw Replacement CAN Actuator for 2", 3" & 4" (butterfly) Valve
Valve Body	104-M2I22	Replacement 220 Flange KZ Valve Body Only

Valve Assembly	103-2415Y1	QuickDraw Rinse Valve, 200 Flange, 1" Thru Ball, WP Shroud
Actuator	104-10DY0-1F1	Replacement Actuator for KZ NH3 Shut-Off Valves (1" thru 1 1/2")
Valve Body	104-C2F33	Replacement Valve Body for 103-2415Y1 and 103-3325Y1 - 200 Flange, 1" Thru Ball

Valve Assembly	103-2416Y1	QuickDraw Venturi Valve, 220 Flange, 2" Thru Ball, WP Shroud
Actuator	104-3636Y1	QuickDraw Replacement CAN Actuator for 2", 3" & 4" (butterfly) Valve
Valve Body	104-M2I22	Replacement 220 Flange KZ Valve for 103-2416Y1

Valve Assembly	103-2417Y1	QuickDraw Valve, 300 Flange, 3" Thru Ball, WP Shroud
Actuator	104-3636Y1	QuickDraw Replacement CAN Actuator for 2", 3" & 4" (butterfly) Valve
Valve Body	104-M2K22	3" QD Valve Only

Valve Assembly	103-3325Y1	1" CAN Actuated Valve, 2-Way, 2" Standard Port Flange
Actuator	104-3614Y1	QuickDraw Replacement CAN Actuator for 1" Valve
Valve Body	104-C2F33	Replacement Valve Body for 103-2415Y1 and 103-3325Y1 - 200 Flange, 1" Thru Ball

Valve Assembly	103-3366Y1	3" KZ Valve Assembly - CAN Control
Actuator	104-3636Y1	QuickDraw Replacement CAN Actuator for 2", 3" & 4" (butterfly) Valve
Valve Body	104-M2K22	3" QD Valve Only

Valve Assembly	103-4944Y1	3" CAN Actuated Butterfly Valve
Actuator	104-3636Y1	QuickDraw Replacement CAN Actuator for 2", 3" & 4" (butterfly) Valve
Valve Body		

Valve Assembly	103-4516Y1	4" CAN Actuated Butterfly Valve
Actuator	104-3636Y1	QuickDraw Replacement CAN Actuator for 2", 3" & 4" (butterfly) Valve
Valve Body		

# Replacement Parts by Valve Category

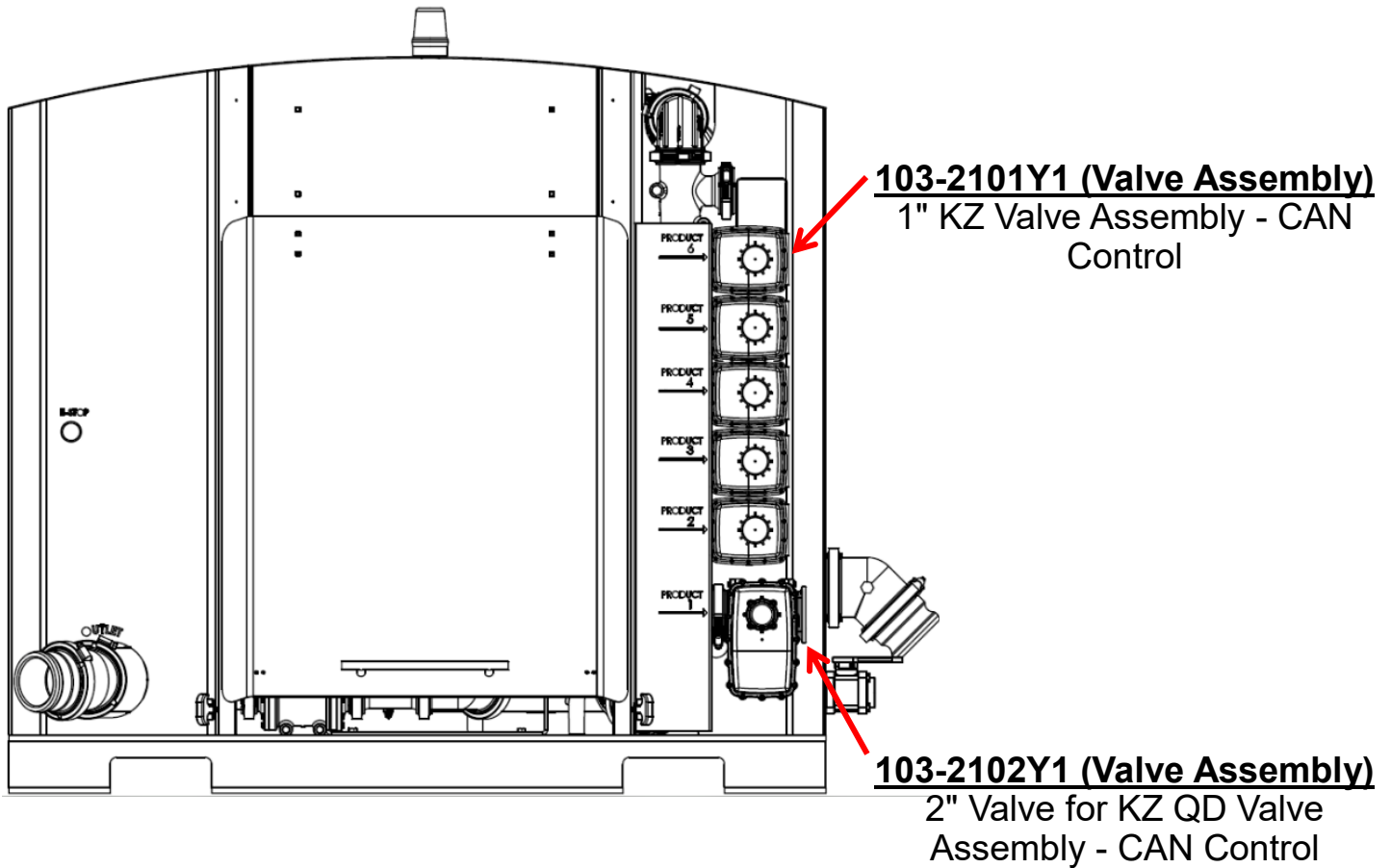
<b>Valve Assembly</b>	
Item Number	Item Description
103-2101Y1	1" KZ Valve Assembly - CAN Control (QuickDraw Product Valve Stack Only)
103-4775Y1	1-1/2" KZ Valve Assembly - CAN Control
103-2102Y1	2" Valve for KZ QD Valve Assembly - CAN Control
103-2415Y1	QuickDraw Rinse Valve, 200 Flange, 1" Thru Ball, WP Shroud
103-2416Y1	QuickDraw Venturi Valve, 220 Flange, 2" Thru Ball, WP Shroud
103-2417Y1	QuickDraw Valve, 300 Flange, 3" Thru Ball, WP Shroud
103-3366Y1	3" CAN Actuated KZ Valve Assembly
103-3325Y1	1" CAN Actuated Valve, 200 Standard Port Flange Adapter
103-4944Y1	3" CAN Actuated Butterfly Valve
103-4516Y1	4" CAN Actuated Butterfly Valve

*\*All CAN valves have 4-pin Deutsch connector*

<b>Actuator Only</b>	
Item Number	Item Description
104-3614Y1	QuickDraw Replacement CAN Actuator for 1" Valve
104-3636Y1	QuickDraw Replacement CAN Actuator for 2", 3" & 4" (butterfly) Valve
104-4844Y1	QuickDraw Replacement CAN Actuator for 1.5" Valve
104-10DW0-1F1	QuickDraw Replacement CAN Actuator for 103-2416Y1 & 2417Y1
104-10DY0-1F1	Replacement On-Off Actuator for KZ Valves (1" thru 1 1/2")

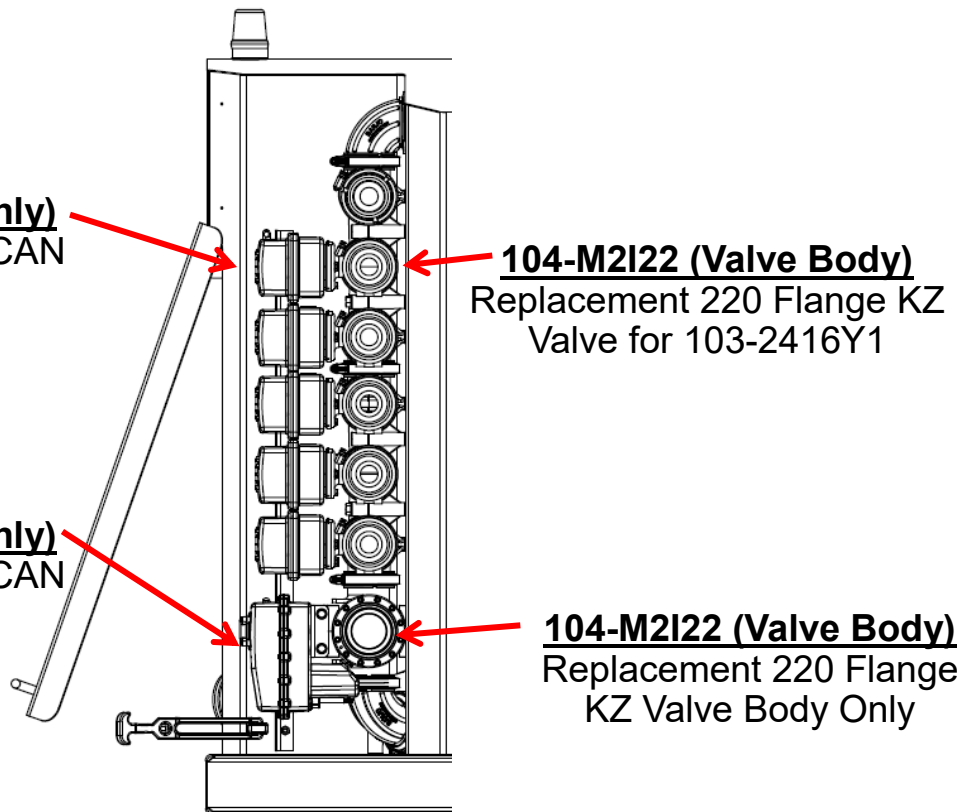
<b>Valve Body Only</b>	
Item Number	Item Description
104-C2F-001	Replacement Valve Body - 1" KZ Valve (For 103-2101Y1)
104-M2I22	Replacement Valve Body - 2" Full Port, 220 Flange KZ Valve (103-2102Y1, 103-2416Y1)
104-M2K22	Replacement Valve Body - 3" KZ Valve
104-T2H22	Replacement Valve Body - 1.5" KZ Valve (103-4775Y1)
104-C2F33	Replacement Valve Body - 2" Standard Port, 200 Adapter Flange, 1" Ball (103-2415Y1 and 103-3325Y1)

# QuickDraw<sub>MAX</sub> Gen2

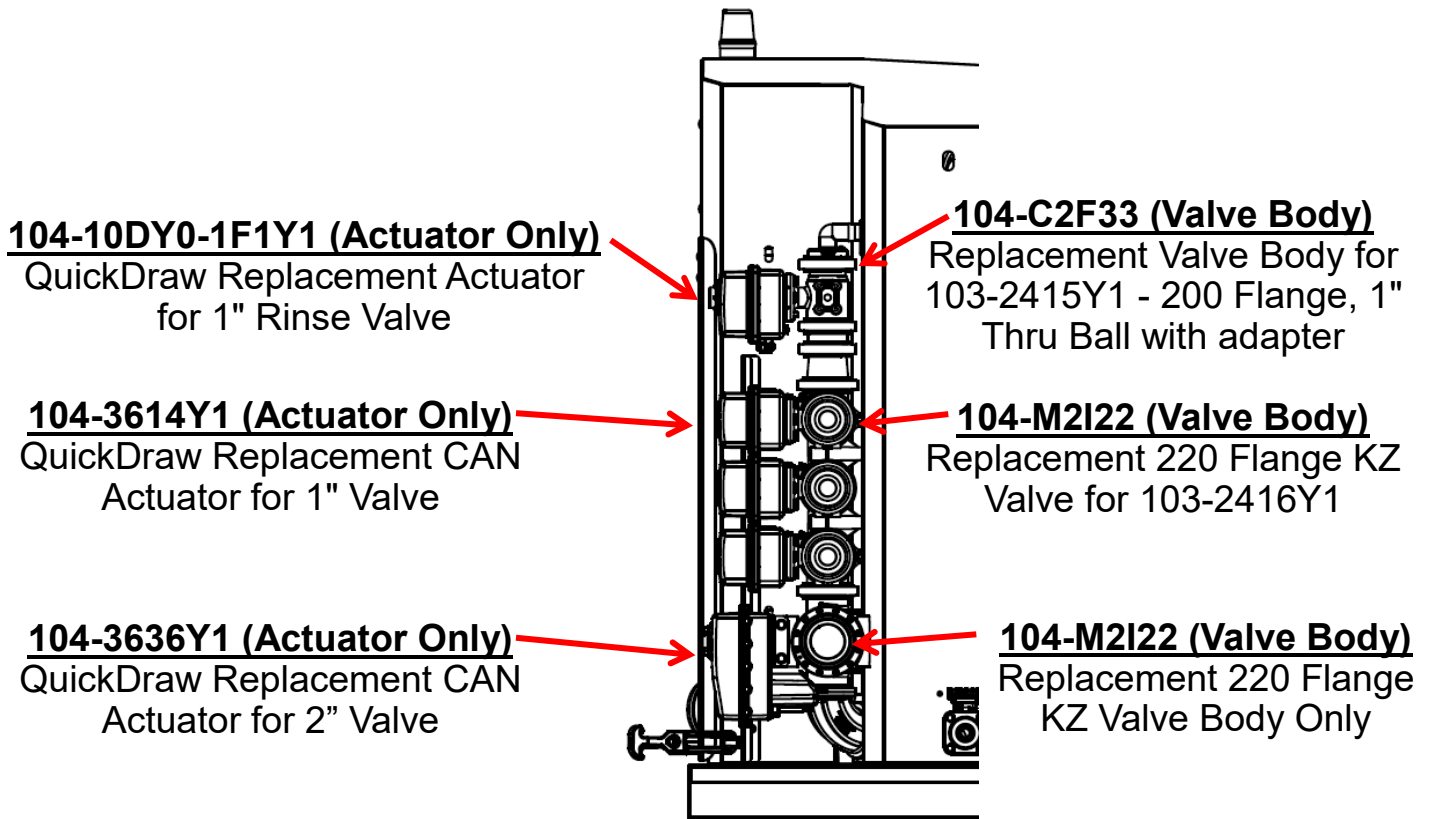
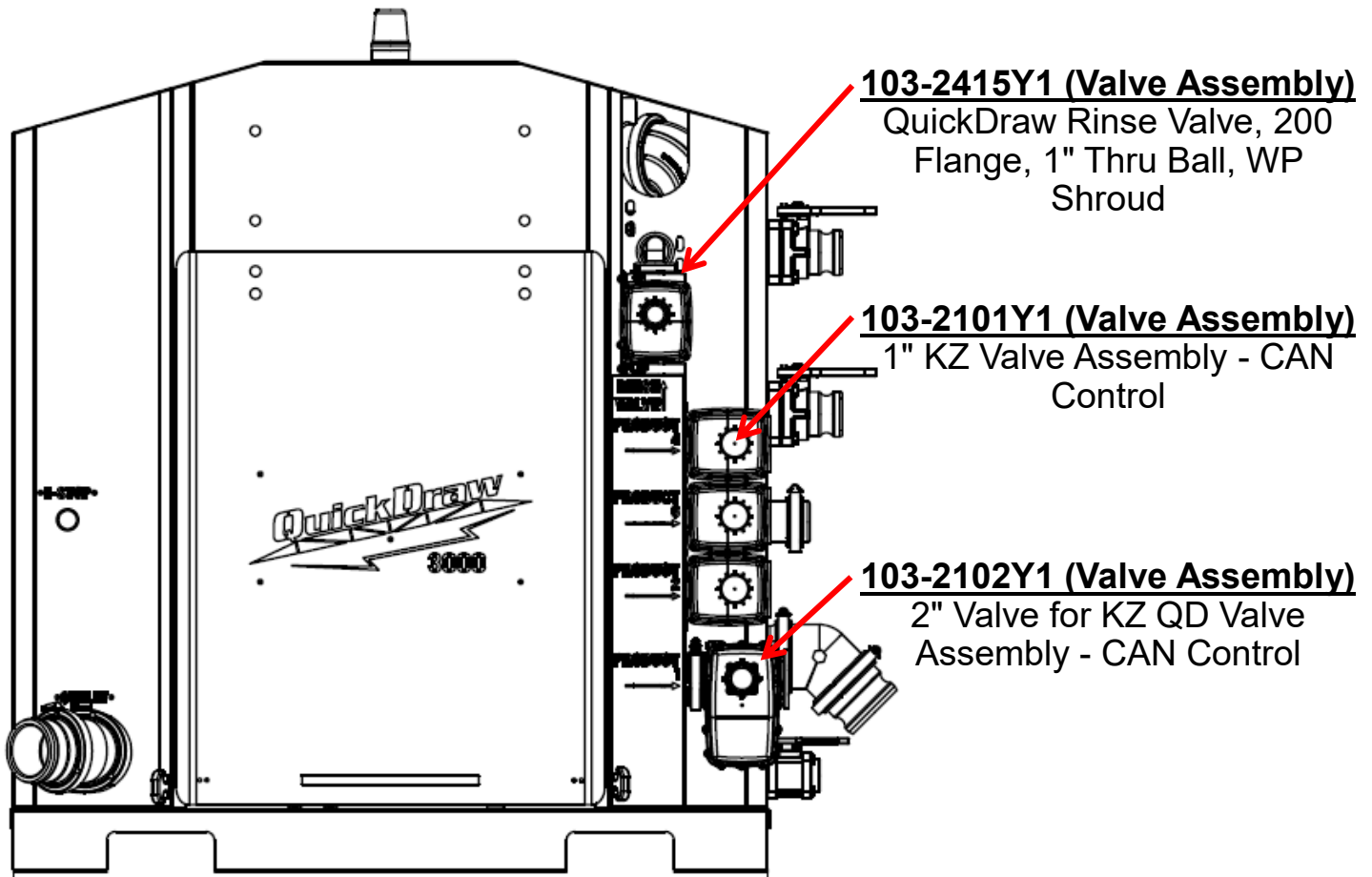


**104-3614Y1 (Actuator Only)**  
QuickDraw Replacement CAN  
Actuator for 1" Valve

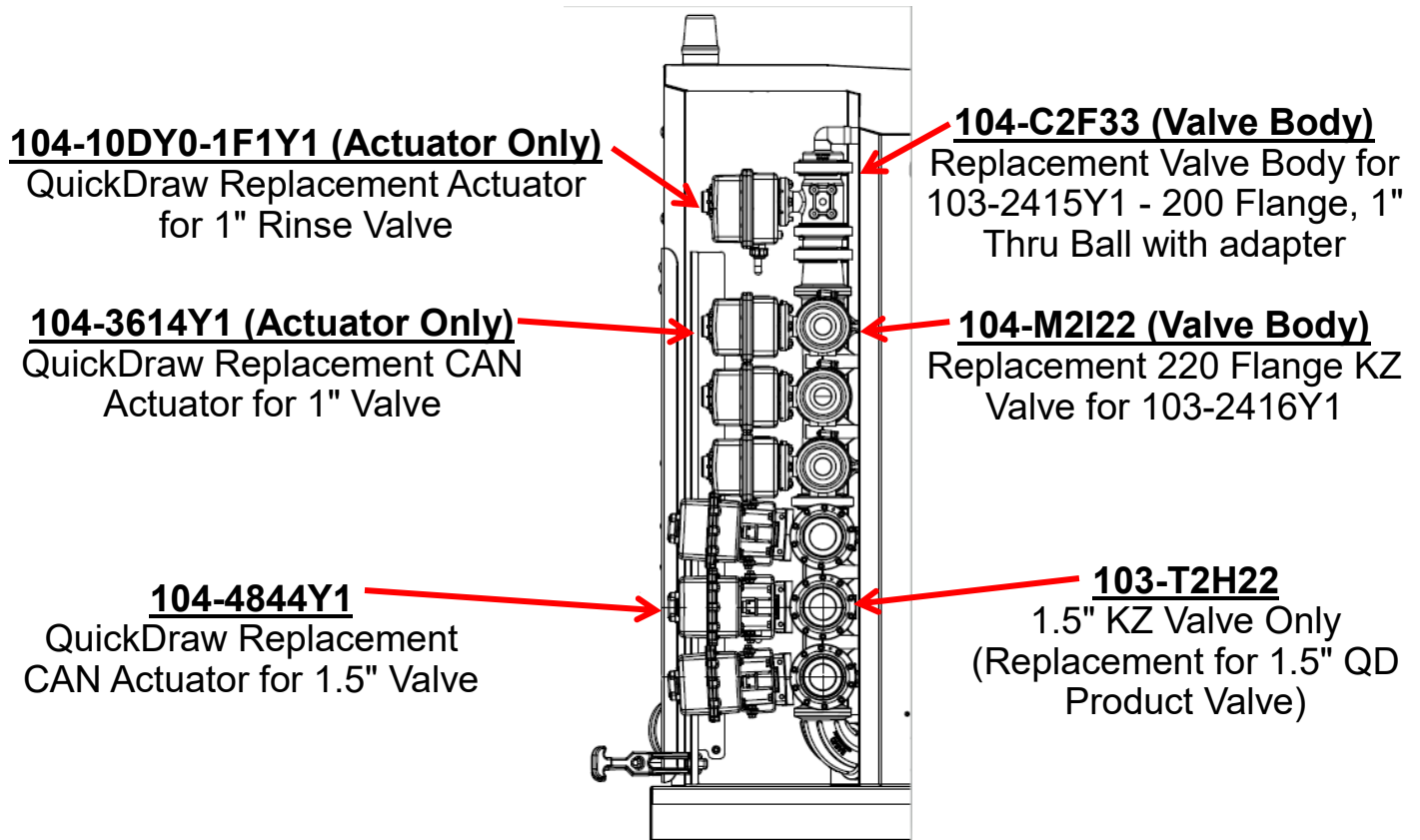
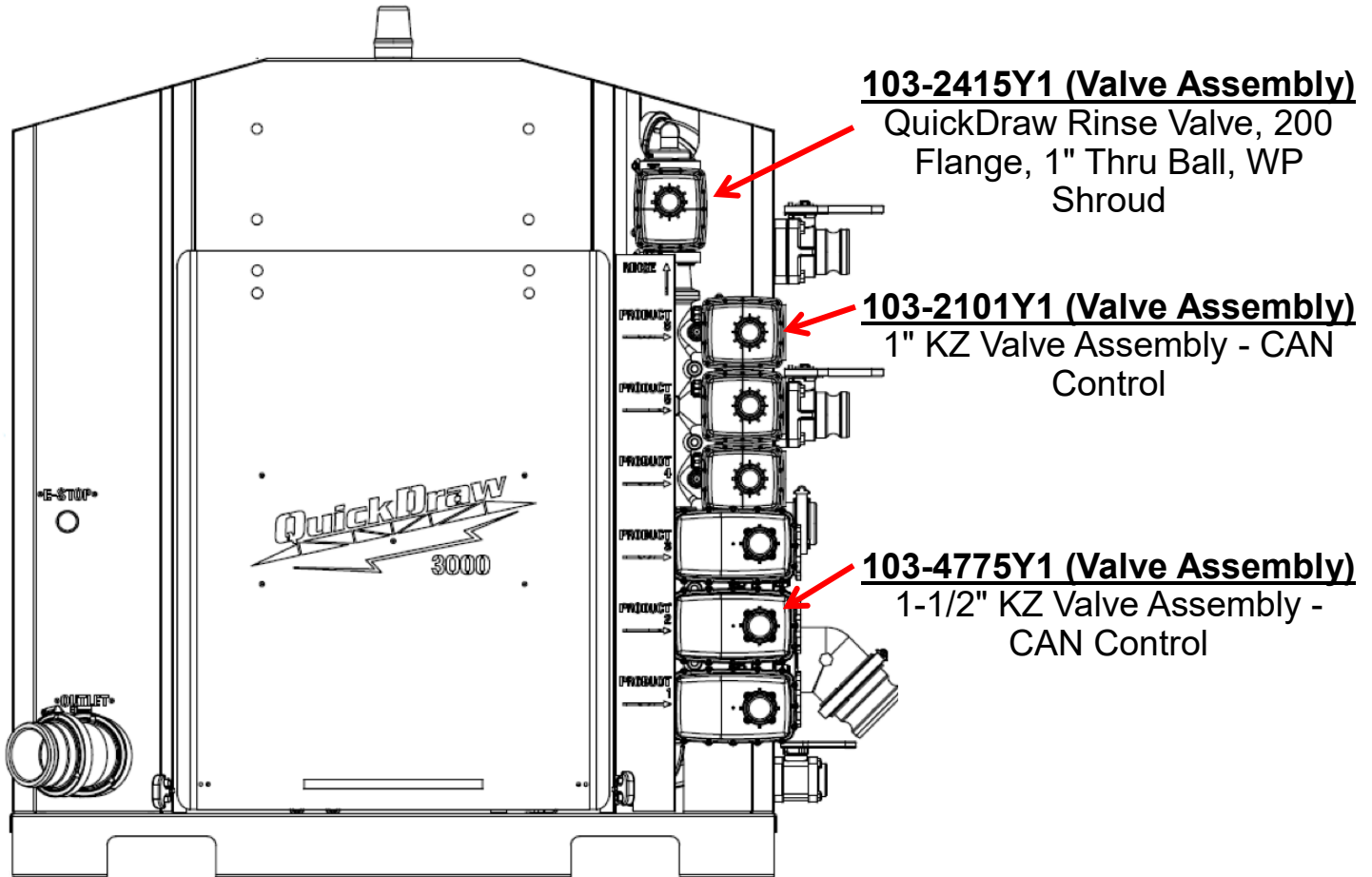
**104-3636Y1 (Actuator Only)**  
QuickDraw Replacement CAN  
Actuator for 2" Valve

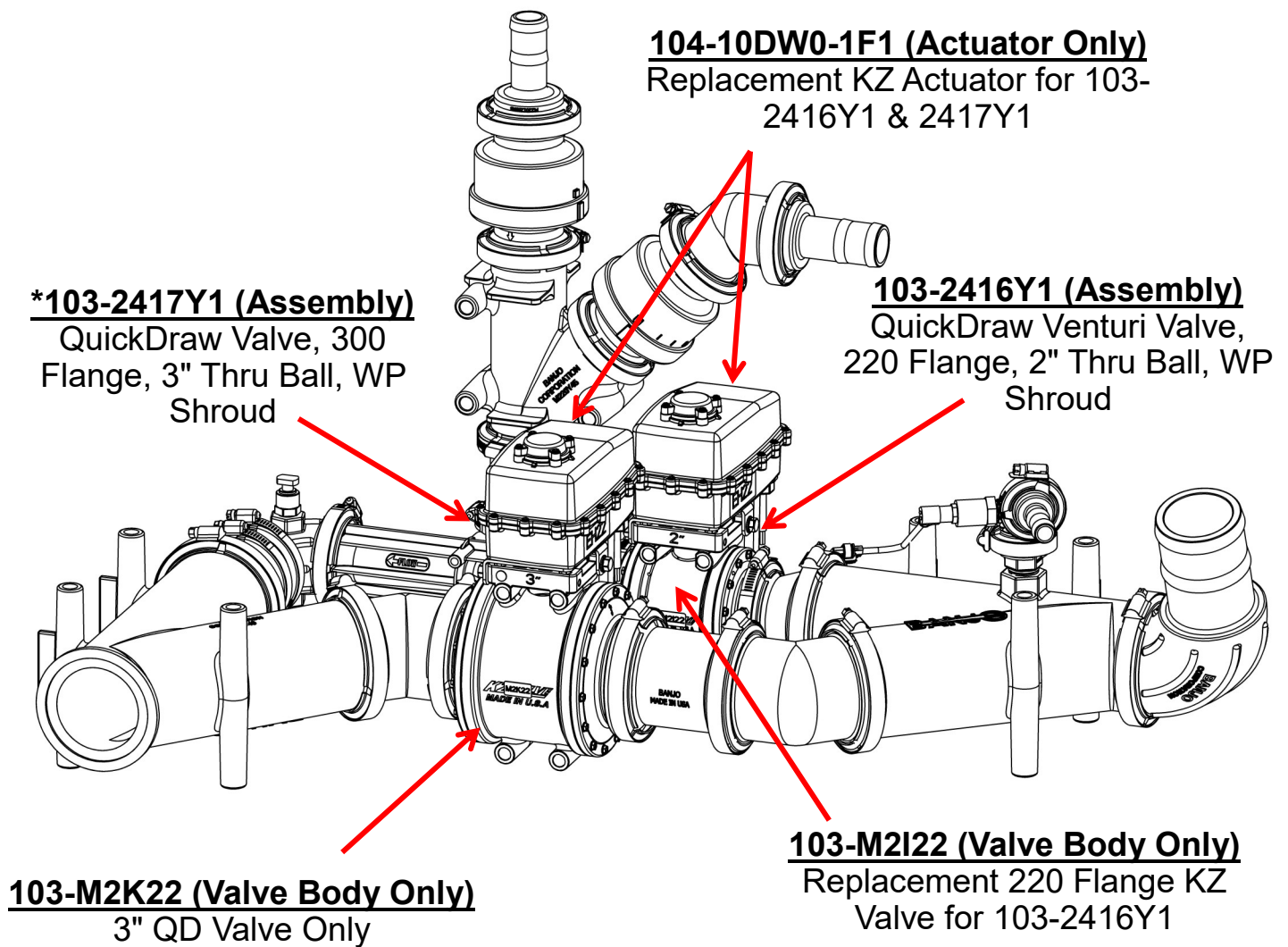


# QuickDraw 3000 MY2020



# QuickDraw 3000 MY21 - 22





*\*3" CAN Valve used in QuickDraw Suction Applications*

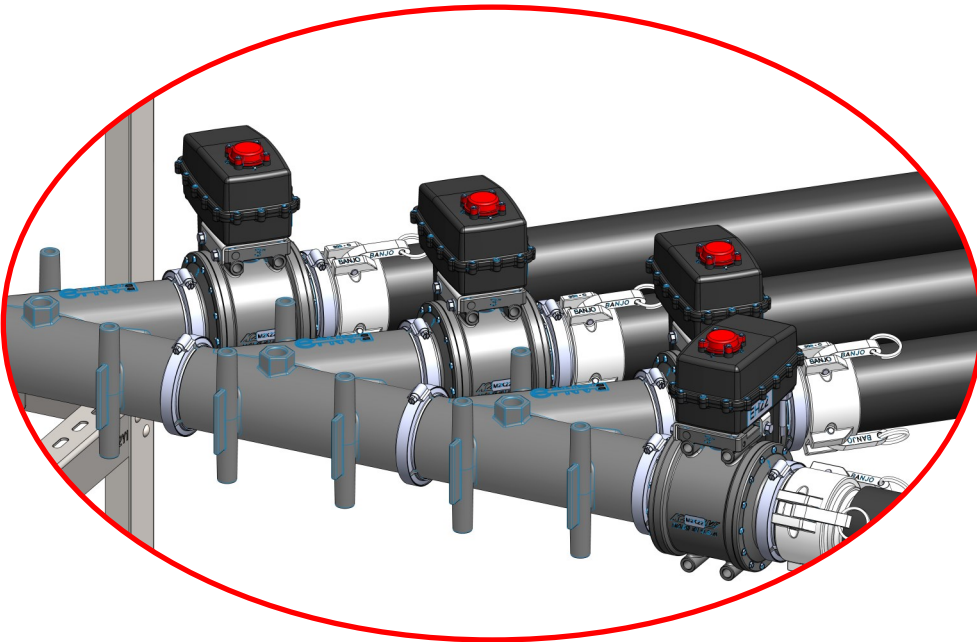
**103-3366Y (Valve Assembly)**  
3" KZ Valve Assembly - CAN Control

**104-3636Y1 (Actuator Only)**  
QuickDraw Replacement CAN Actuator for 2", 3" & 4" (Butterfly) Valve

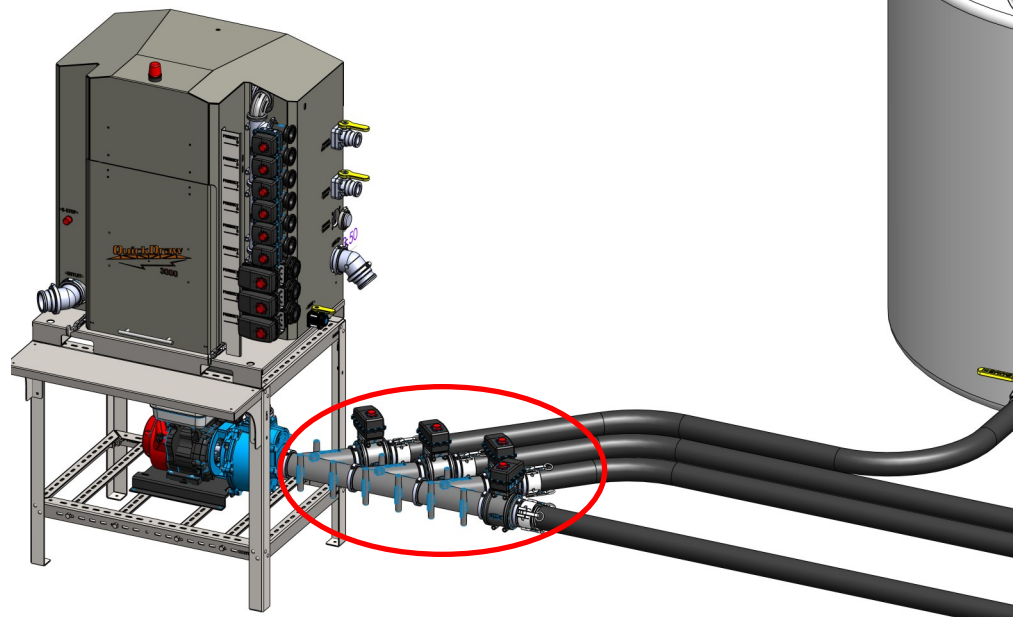


# Carrier Blending Valve Assembly

Item Number	Item Description
396-4851Y1	Carrier Blending Instruction Sheet
606-04-150200	2 Product Carrier Blending Kit - Valve Manifolds for Central Mounting
606-04-150300	3 Product Carrier Blending Kit - Valve Manifolds for Central Mounting
606-04-150400	4 Product Carrier Blending Kit - Valve Manifolds for Central Mounting
606-04-175200	2 Product Carrier Blending Kit - CAN Valves and Y Cables Only - (Need Plumbing and Ext. Cables)
606-04-175300	3 Product Carrier Blending Kit - CAN Valves and Y Cables Only - (Need Plumbing and Ext. Cables)
606-04-175400	4 Product Carrier Blending Kit - CAN Valves and Y Cables Only - (Need Plumbing and Ext. Cables)



Valve Assembly	103-3366Y1	3" KZ Valve Assembly - CAN Control
Actuator	104-3636Y1	QuickDraw Replacement CAN Actuator for 2", 3" & 4" (butterfly) Valve
Valve Body	104-M2K22	3" QD Valve Only



# Coriolis Mass Meter - Power Conditioner

**208-05-2643Y1**

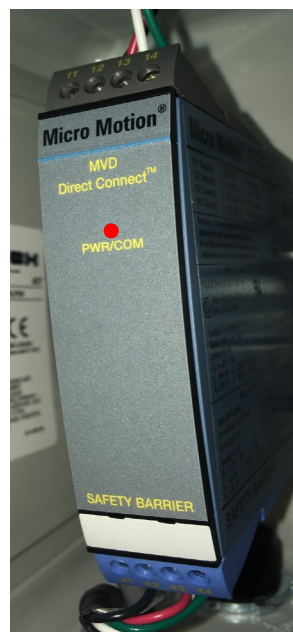
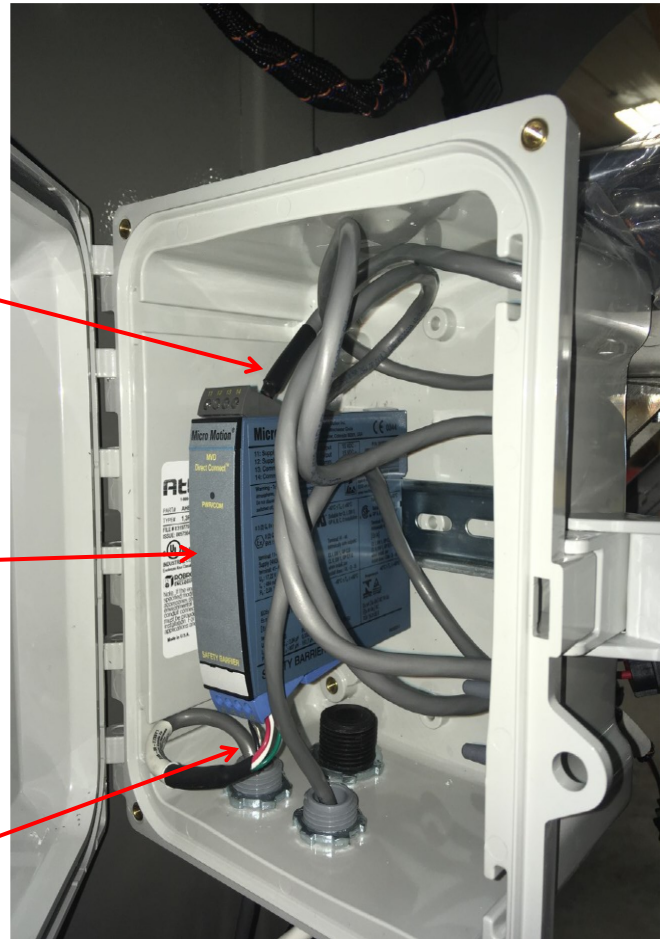
QuickDraw Harness to Coriolis Power  
Conditioner

**208-05-2981Y1**

QuickDraw Power Conditioner

**208-05-2733Y1**

QuickDraw Coriolis to Power Conditioner  
Harness



## Troubleshooting:

*Front Red light should be ON.*

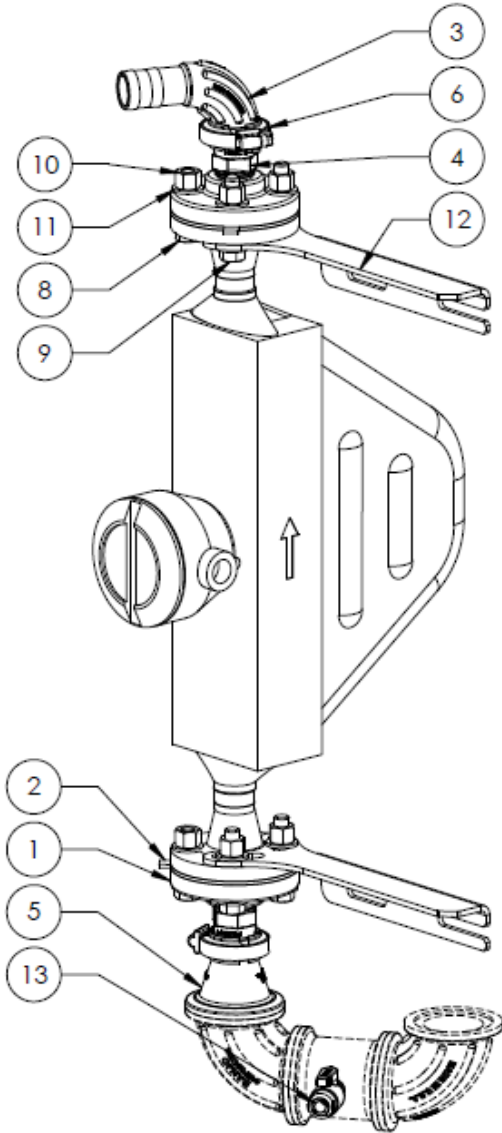
### Top (gray) terminal block:

- Power from QD Controller
- Red to Black 24 volts

### Bottom (blue) terminal block:

- Power to the Mass Meter
- Red to Black 14 to 15 volts

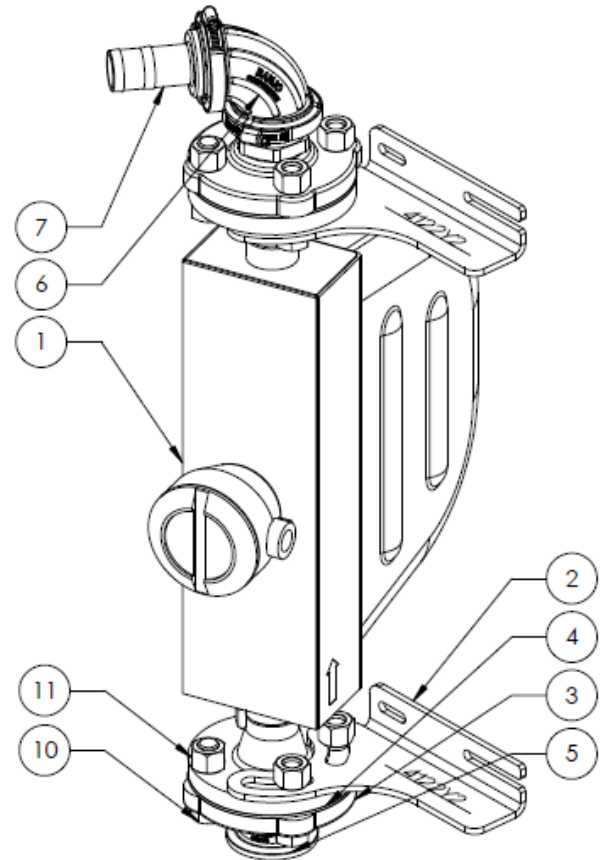
# QuickDraw<sub>MAX</sub> All Models 1" Mass Meter



Item No.	Part Number	Description	Qty
1	100-200AF	2" FPT x ANSI Flange	2
2	100-200AFG	2" FPT x ANSI Flange Gasket	2
3	105-100125BRBWP90	1" Manifold x 1 1/4" HB - 90 Degree Sweep	1
4	105-100MPT	1" Manifold x 1" MPT	2
5	105-220100CPG	2" Full Port Manifold x 1" Manifold - Reducer Coupling	1
6	105-FC100	1" Manifold Clamp	2
7	204-01-R200S	QuickDraw 2" Coriolis Mass Meter	1
8	300-080200-5	1/2" x 2" Hex Head Bolt - G5	4
9	300-080208-5	1/2" x 2-1/2" Hex Head Bolt - G5	4
10	321-08	1/2" Nylock Nut	16
11	330-08	1/2" Flat Washer	16
12	475-2670Y3-SS	QuickDraw 3000 Coriolis Flowmeter Support Bracket	2
13*	113-52-038038	Valve - 3/8" QC x 3/8" MPT	1

# Coriolis Mass Meter Assembly

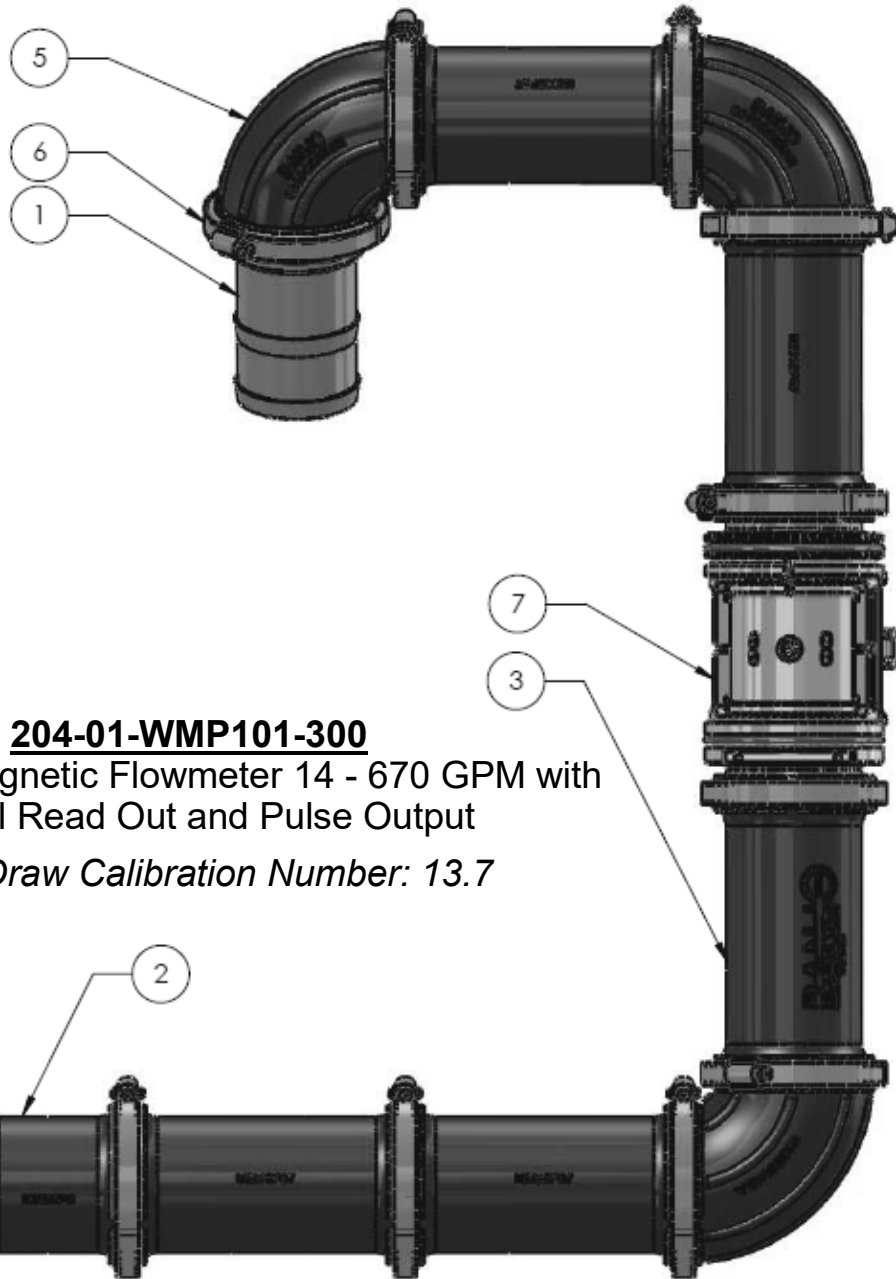
## QuickDraw<sub>MAX</sub> 3000 2" Mass Meter



Item No.	Part Number	Description	Qty
1	100-200AF	2" FPT x ANSI Flange	2
2	100-200AFG	2" FPT x ANSI Flange Gasket	2
3	105-200G-H	2" EPDM Manifold Gasket for 220 Series Manifold Fittings	2
4	105-220MPT	2" Full Port Manifold x 2" MPT	2
5	105-220SWP90	2" Full Port Manifold Sweep - 90 Degree	1
6	105-220150BRB	2" Full Port Manifold x 1-1/2" HB	1
7	105-FC220	2" Full Port Manifold Clamp	2
8	300-120208-5	3/4" x 2-1/2" Hex Head Bolt - G5	8
9	321-12	3/4" Nylock Nut	8
10	204-01-R200S	QuickDraw 2" Coriolis Mass Meter	1
11	475-4122Y2-SS	R200 Mass Meter Mounting Brackets	2

# Water Flowmeter

## QuickDraw<sub>MAX</sub> Gen2



### **204-01-WMP101-300**

3" Electro Magnetic Flowmeter 14 - 670 GPM with Digital Read Out and Pulse Output

*QuickDraw Calibration Number: 13.7*









Item No.	Part Number	Description	Qty
1	100-300BRB	3" Manifold x 3" HB	1
2	105-300CPG	3" Manifold Coupling	1
3	105-300CPG7	3" Manifold Coupling - 7"	5
4	105-300G-H	3" EPDM Manifold Gasket	10
5	105-300SWP90	3" Manifold Sweep - 90 Degree	3
6	105-FC300	3" Manifold Clamp	10
7	204-01-WMP101-300	3" Water Flowmeter (Seametrics)	1

# Water Flowmeter

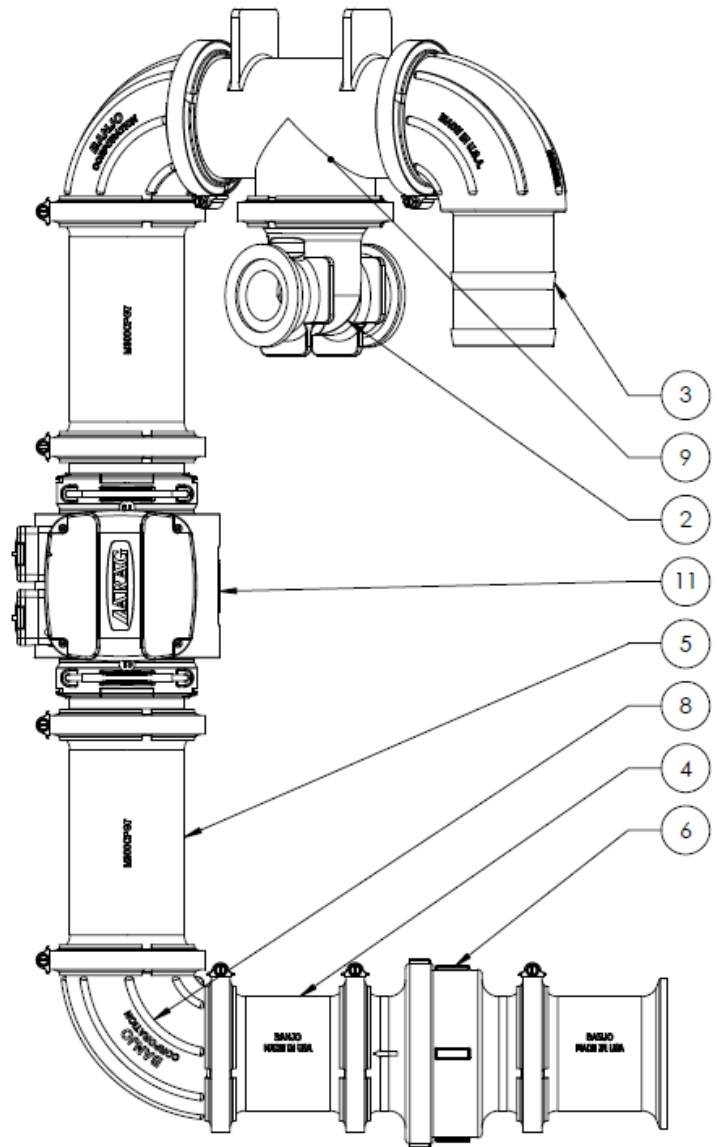
## QuickDraw<sub>MAX</sub> 3000

**204-01-46299A91**  
**3" Arag E-Mag Flowmeter**  
**(16-660 GPM)**

**QuickDraw Calibration:**  
**91 pulses/gallon**

	OFF	The flowmeter is not powered.
	GREEN BLINKING	The flowmeter is waiting to acquire an address on the CAN line to which it is connected.
	GREEN STEADY ON	Presence of STILL liquid inside the flowmeter.
	BLUE STEADY ON	The flowmeter is reading the passage of the liquid inside.
	VIOLET STEADY ON	No liquid has been detected inside the flowmeter.
	WHITE STEADY ON	Cleaning of the reading electrodes in progress.
	RED BLINKING	RED: Error. The error codes are indicated through blinks, which are described in the table below.
	RED STEADY ON	SEVERE ERROR: Contact a service center.

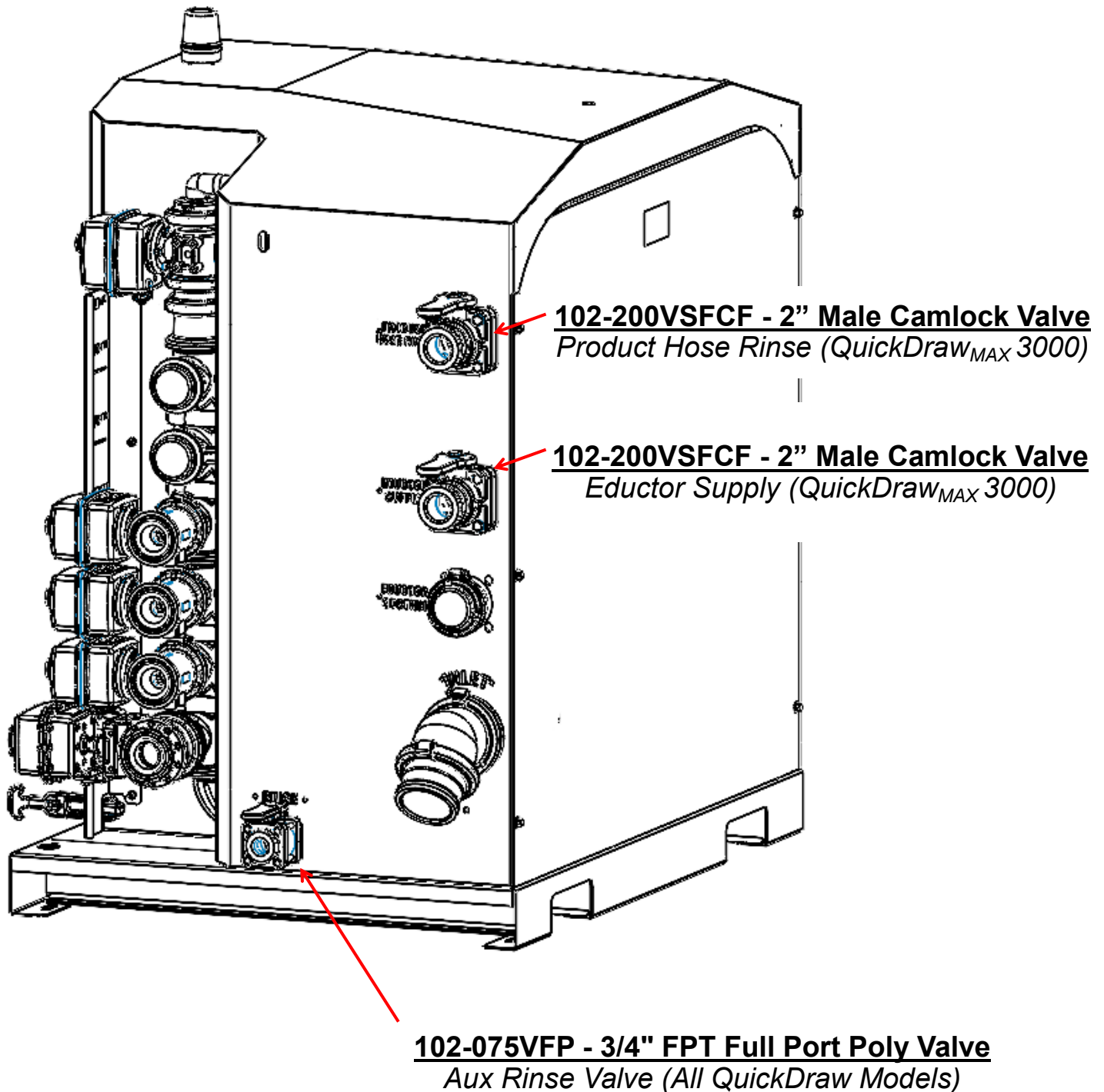
See QuickDraw Manual 396-4412Y1 for full troubleshooting and error codes



Item No.	Part Number	Description	Qty
1	100-075PLUG	3/4" Pipe Plug	1
2	105-300200200-075	3" x 2" x 2" Manifold Tee with 3/4" Tap	1
3	105-300BRBSWP90	3" Manifold x 3" HB - 90 Degree Sweep	1
4	105-300CPG	3" Manifold Coupling	2
5	105-300CPG7	3" Manifold Coupling - 7"	2
6	105-300CV	3" Manifold Check Valve	1
7	105-300G-H	3" EPDM Manifold Gasket	10
8	105-300SWP90	3" Manifold Sweep - 90 Degree	2
9	105-300TEE	3" Manifold Tee	1
10	105-FC300	3" Manifold Clamp	10
11	204-01-46299A91	3" Water Flowmeter (16-660 GPM)	1

# Manual Valves

## QuickDraw<sub>MAX</sub> 3000

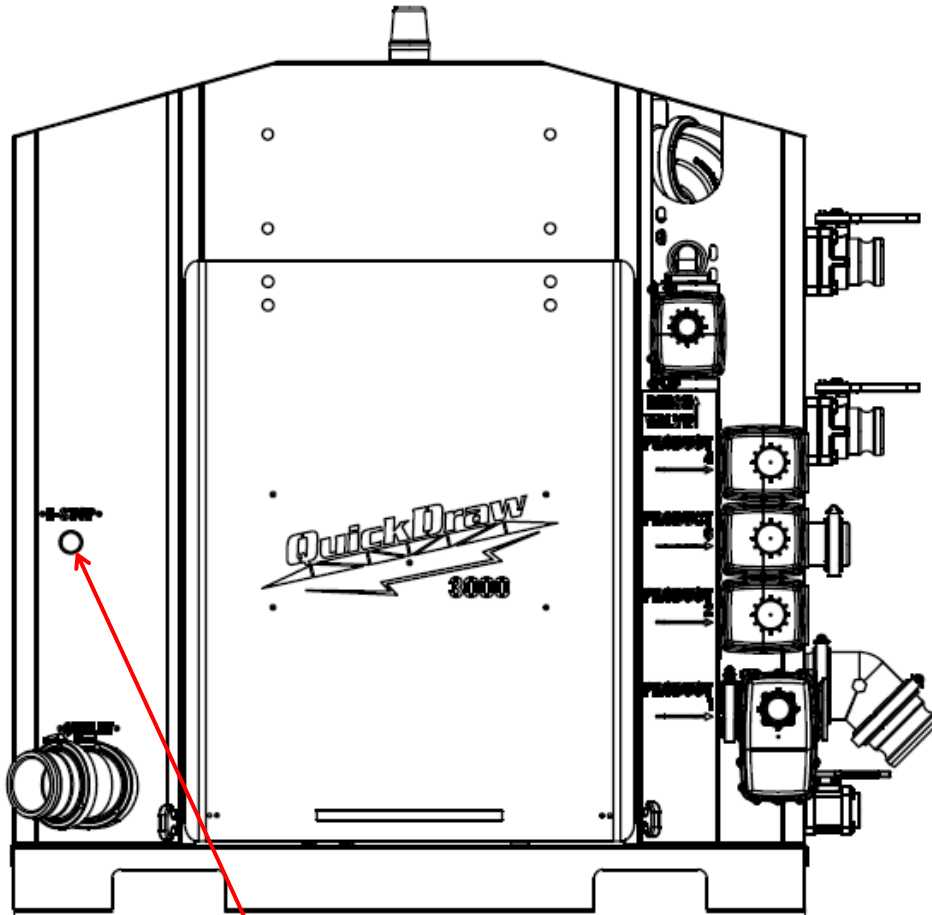


# Electronic Components

## QuickDraw<sub>MAX</sub> 3000

**217-3356Y1**

12 VDC LED Alarm lamp w/ Red Lens -  
QuickDraw Alarm Light



**217-3355Y1**

Emergency Stop Switch - ESTOP