



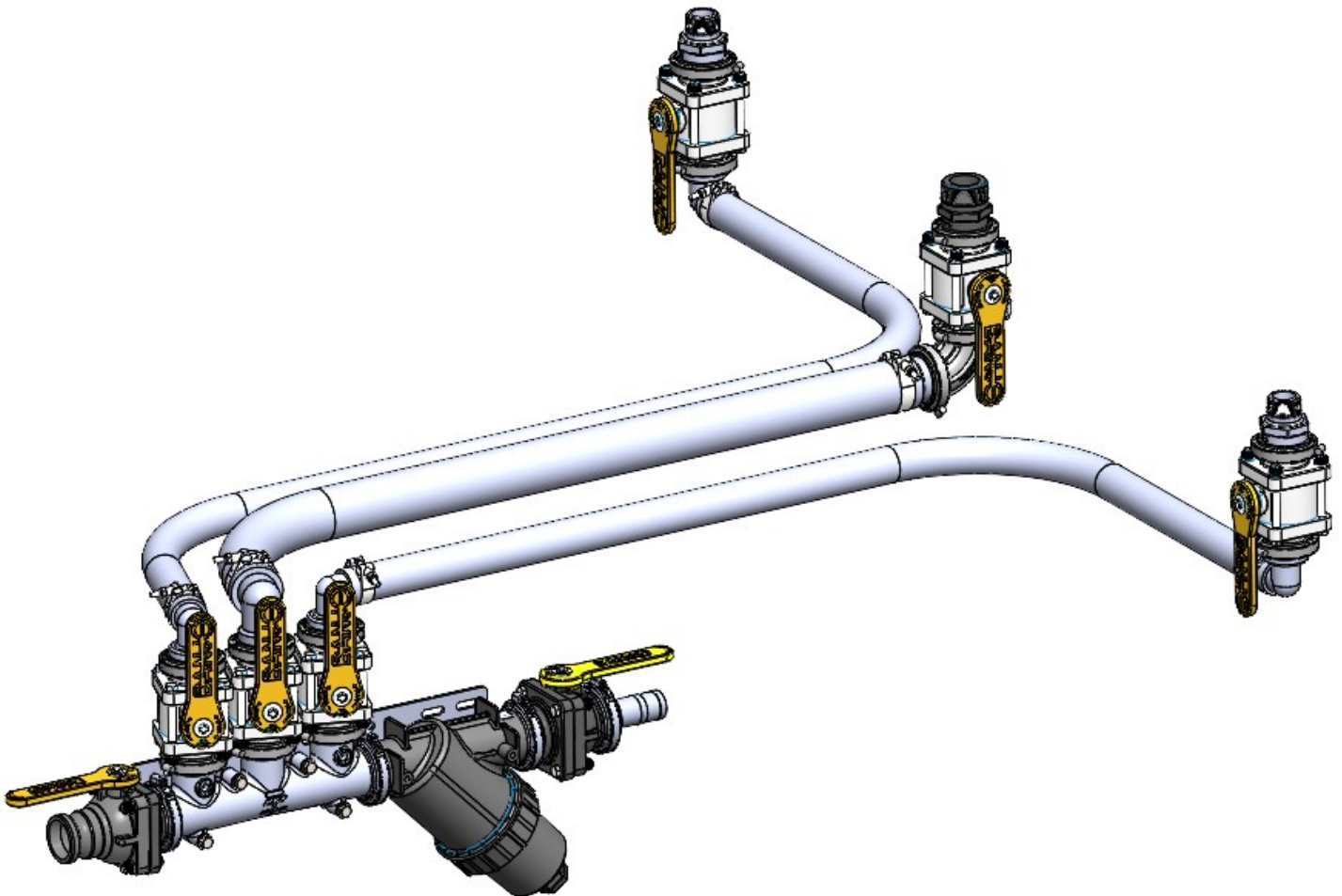
396-5178Y1

3 Tank Fill Kit

Installation Instructions

Kit Number: 520-00-103100

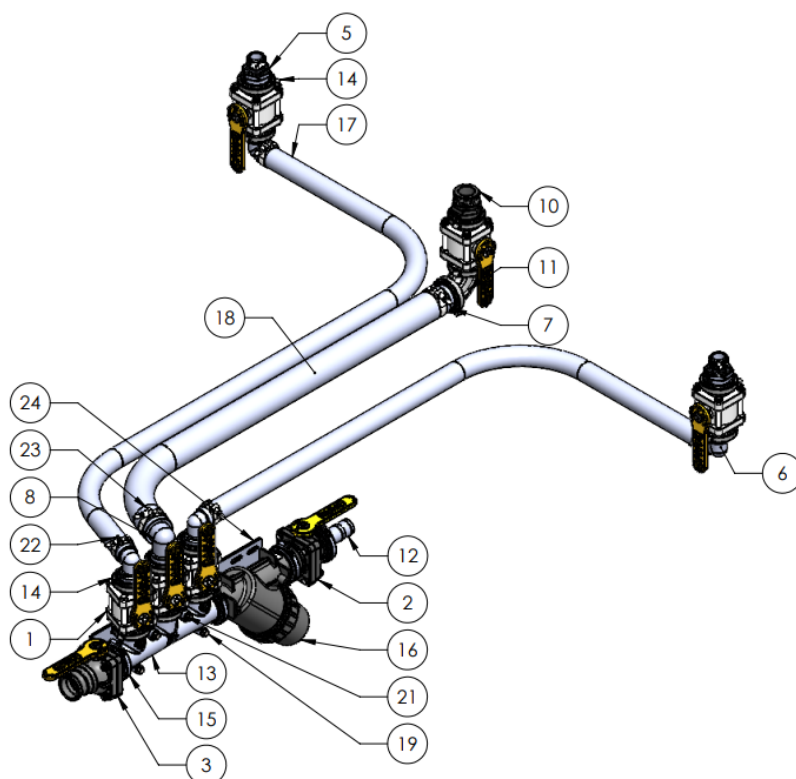
Kit Description: 3 Tank Fill Manifold and Hose Kit





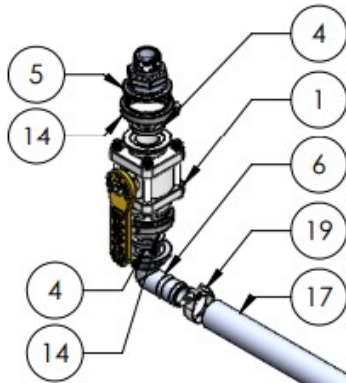
Parts List and Exploded View

ITEM NO.	PART NUMBER	DESCRIPTION	QTY.
1	102-200MVCF	2" Manifold Standard Port Poly Valve	6
2	102-220MVSCF	2" Manifold Stubby Full Port Poly Valve	1
3	102-220MVSFFP	220 Series Manifold x 2" Male Quick Coupler Full Port Poly Valve	1
4	105-150G	1-1/2" EPDM Gasket	13
5	105-200125MPT	2" Manifold x 1-1/4" MPT	2
6	105-200150BRB90	2" Manifold x 1-1/2" HB - 90 Degree	4
7	105-200BRB	2" Manifold x 2" HB	1
8	105-200BRB90	2" Manifold x 2" HB - 90 Degree	1
9	105-200G	2" EPDM Manifold Gasket for 220 Series Manifold Fittings	4
10	105-200MPT	2" Manifold x 2" MPT	1
11	105-200SWP90	2" Manifold Sweep - 90 Degree	1
12	105-220150BRB	2" Full Port Manifold x 1-1/2" HB	1
13	105-220200EXT	KZ 3-Section, 2" Standard Port Manifold x 2" Full Port Manifold Inlet/Outlet	1
14	105-FC200	2" Manifold Clamp	13
15	105-FC220	2" Full Port Manifold Clamp	4
16	109-220MLS-20	2" 220 Series Manifold Y Strainer - 20 Mesh	1
17	280-150-ENF	1-1/2" Enforcer Fertilizer Solution Hose	30
18	280-200-ENF	2" Enforcer Fertilizer Solutions Hose	15
19	300-060400-5	3/8" x 4" Hex Head Bolt - G5	4
20	321-06-SS	3/8" Nylock Nut - SS	4
21	330-06	3/8" Flat Washer	8
22	350-TC181	T-Bolt Hose Clamp - 1.81 - 2.06" Diameter	4
23	350-TC231	T-Bolt Hose Clamp - 2.31 - 2.62" Diameter	2
24	400-5117Y1	Fill Kit Bracket for 3 Tank Manifold	1

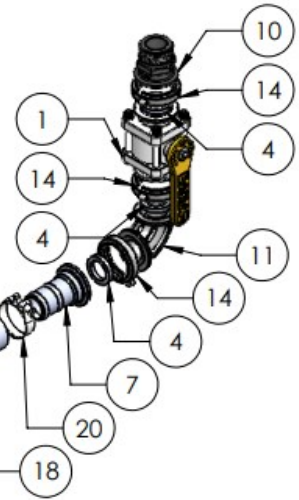




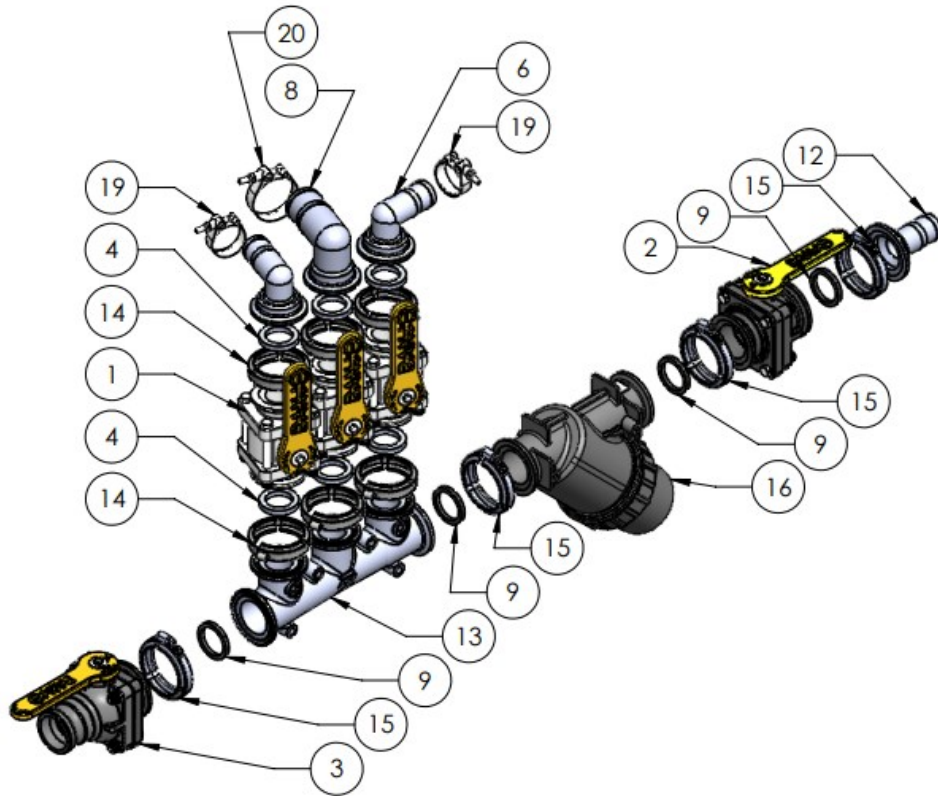
Parts List and Exploded View



Tank Connection Assembly
(Typical of 2)



2" Tank Connection Assembly

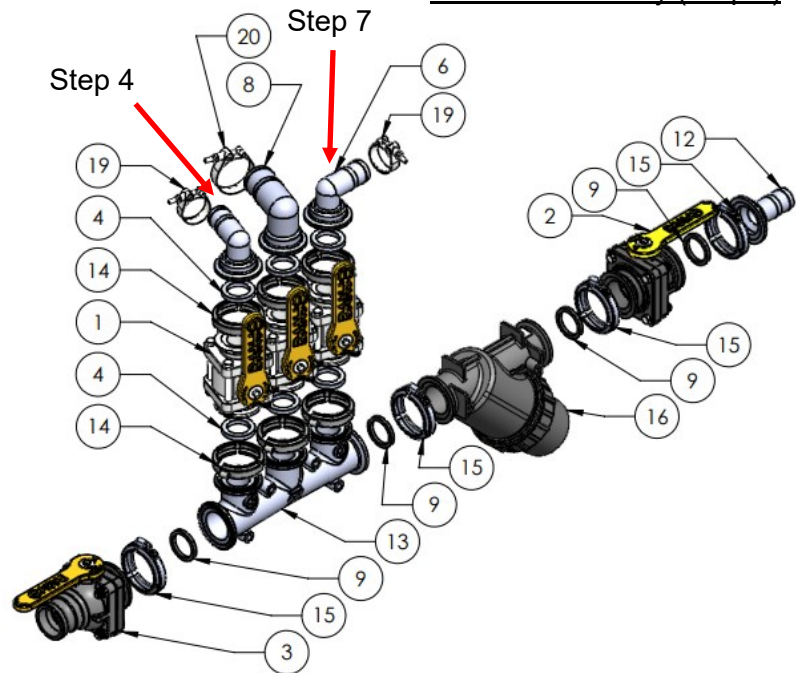


Fill Connection Assembly

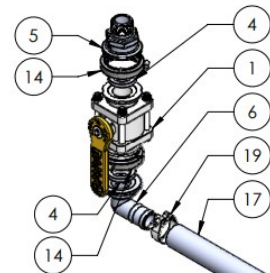
Step by Step Instructions

Strainer Assembly (Step 1)

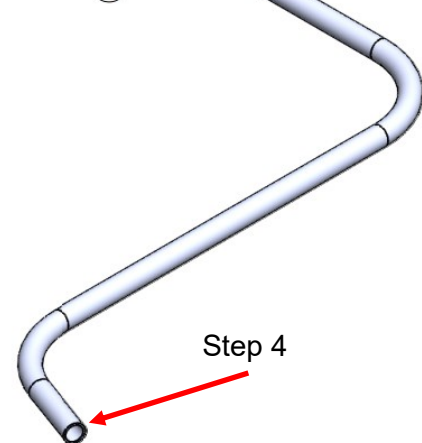
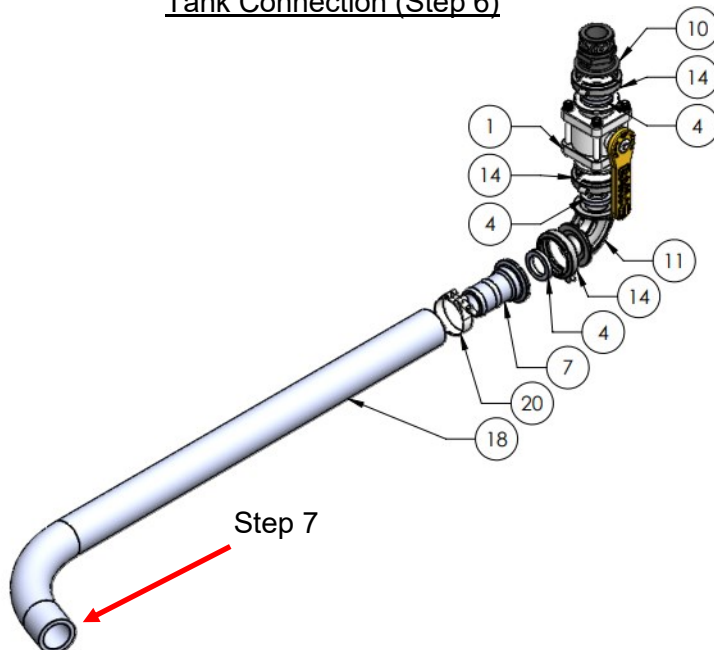
1. Assemble fill kit strainer assembly as shown, using manifold clamps and gaskets.
- Note: Angle valves slightly to allow clearance of handles*
2. Thread desired Manifold x MPT fitting into tank.
3. Assemble tank connection assembly as shown, using manifold clamps and gaskets.
4. Route 1-1/2" hose from strainer assembly hose barb to tank connection assembly hose barb. Tighten with clamps. *Repeat steps 3 and 4 for second 105-200150BRB90.*
5. Thread desired Manifold x MPT fitting into 3rd tank.
6. Assemble 2" tank connection assembly as shown, using manifold clamps and gaskets.
7. Route 2" hose from strainer assembly hose barb to 2" tank connection hose barb. Tighten with clamps.



Tank Connection (Step 3)



Tank Connection (Step 6)





Step by Step Instructions

8. Mount 400-5117Y1 to 102-220MVSFFP valve as shown, by disassembling valve and using its hardware.
9. Secure the bracket to 105-220200EXT as shown, using four (4) 3/8" x 4" hex head bolts, nylock nuts, and washers.

