



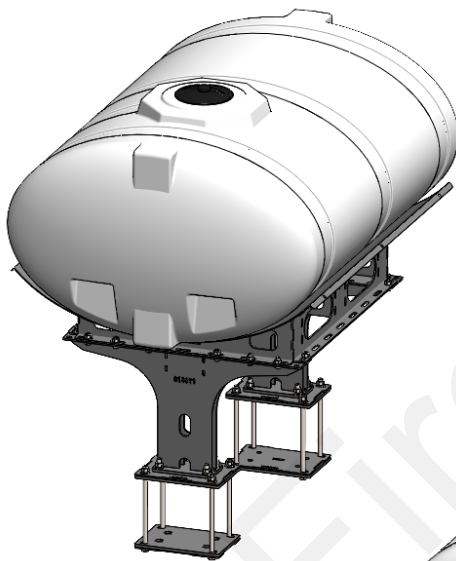
396-5160Y1

Landoll 5540 Hitch Mounted Tank Kit Mounting Instructions

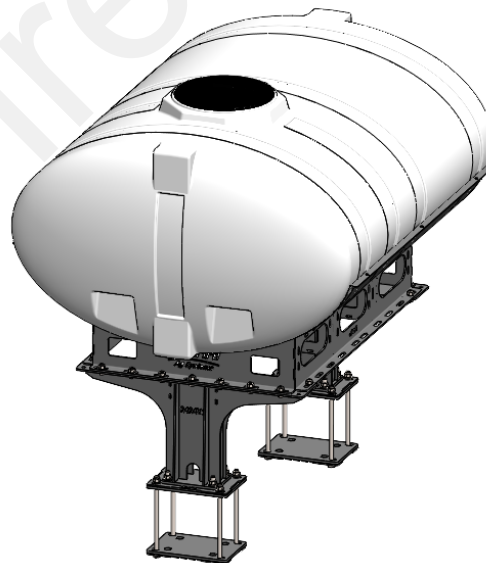
Drill Manufacturer:



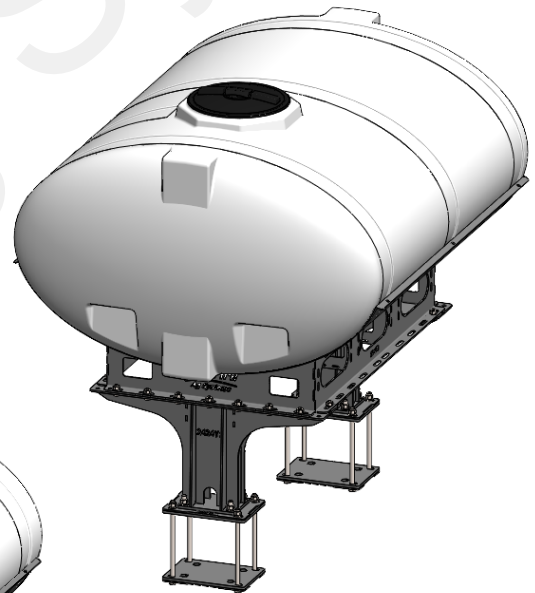
Kit Number: 551-05-200500 (500 Gallon)
Kit Number: 551-05-200600 (600 Gallon)
Kit Number: 551-05-200750 (750 Gallon)



500 Gal



600 Gal

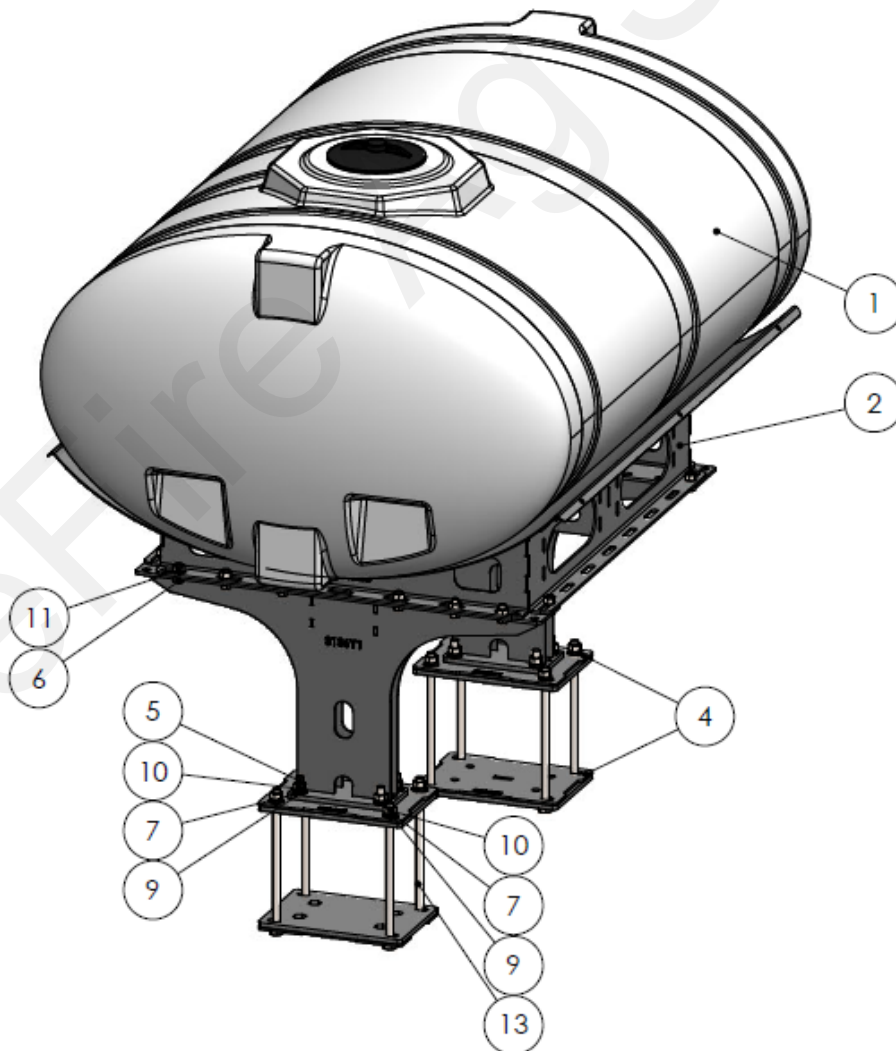


750 Gal



Parts List and Exploded View 551-05-200500

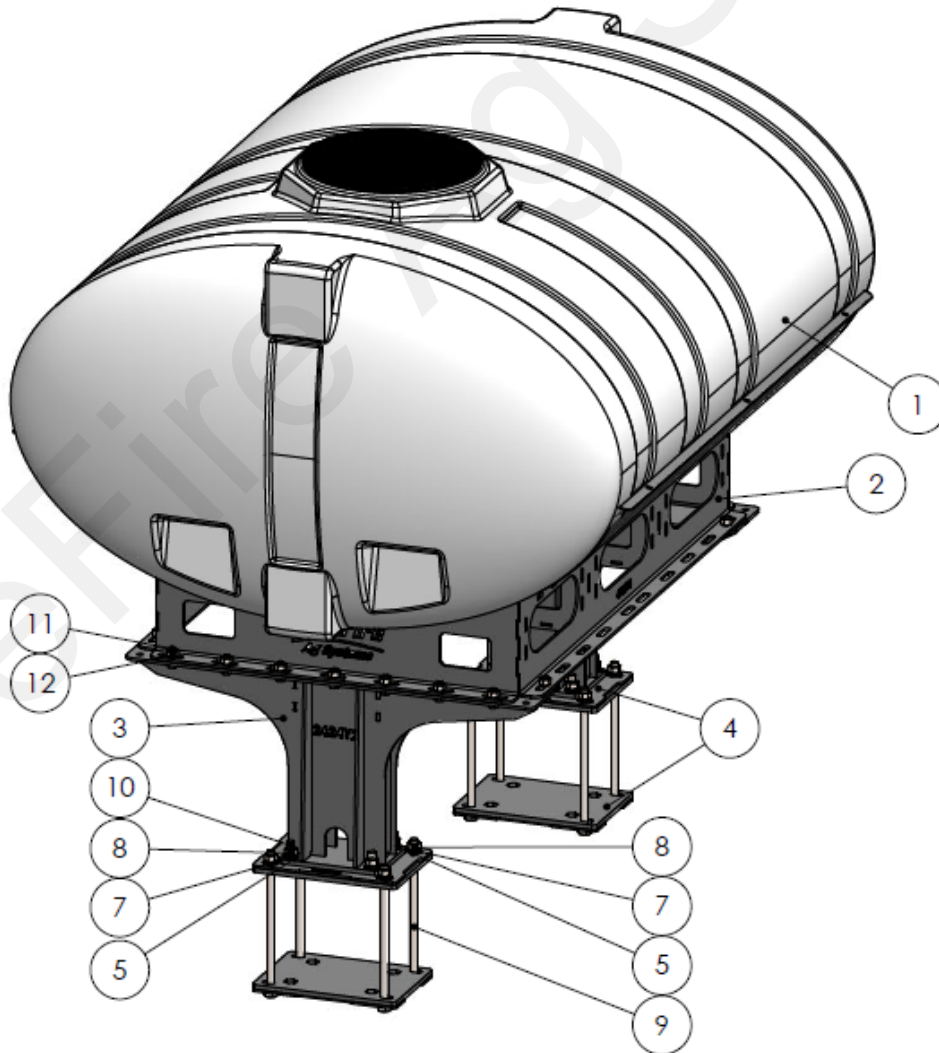
ITEM NO.	PART NUMBER	DESCRIPTION	QTY.
1	727-01-HE0500-57-OS-W	Elliptical Tank - 500 Gal - White - Offset Sump	1
2	421-1329A2	500 Gallon Elliptical Cradle	1
3	421-3136Y1	22" JD Hitch Mount Pedestal - WA	2
4	420-5129Y1	Tank Adapter Plate from 8" to 12" hitch - 400/500 Gal Tank	4
5	300-120208-5	3/4" x 2-1/2" Hex Head Bolt - G5	8
6	300-100108-5	5/8" x 1-1/2" HCS	16
7	330-12	3/4" Flat Washer	24
8	330-10	5/8" Flat Washer	16
9	331-12	3/4" Lock Washer	16
10	320-12	3/4" Nut	16
11	323-10	5/8" Flange Nut	16
12	525-3000	3" Tank Strap Kit for 400 - 1000 gal tank	3
13	300-121500-8	3/4" x 15" Hex Head Bolt - G8	8





Parts List and Exploded View 551-05-200600

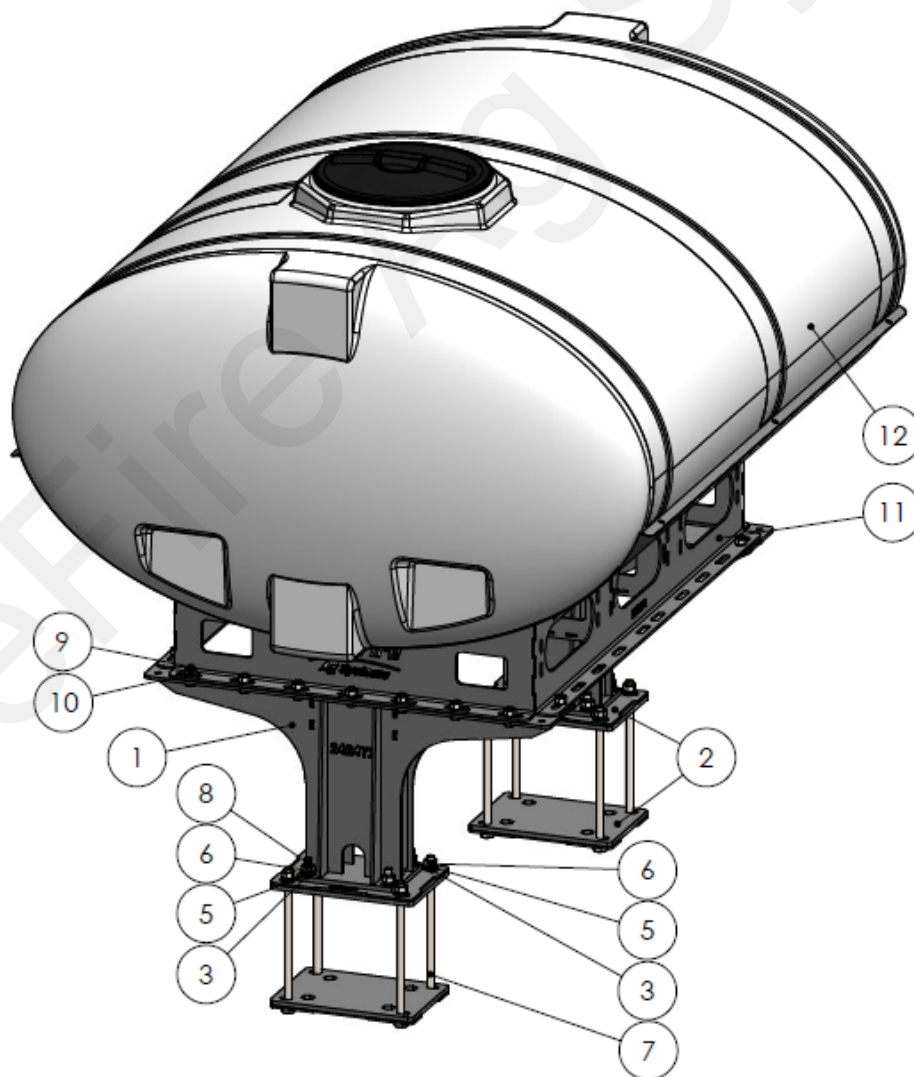
ITEM NO.	PART NUMBER	DESCRIPTION	QTY.
1	727-01-HE0600-64-CS-W	Elliptical Tank - 600 Gal - White - Center Sump	1
2	421-4105Y1	600 Gallon Elliptical Tank Cradle	1
3	421-2424Y2	750 Gallon Tank Stand	2
4	420-5132Y1	Adapter Plate for 8" to 12" Hitch - 600/750 Gal Tank	4
5	330-12	3/4" Flat Washer	24
6	330-10	5/8" Flat Washer	18
7	331-12	3/4" Lock Washer	16
8	320-12	3/4" Nut	16
9	300-121500-8	3/4" x 15" Hex Head Bolt - G8	8
10	300-120208-5	3/4" x 2-1/2" Hex Head Bolt - G5	8
11	300-100108-5	5/8" x 1-1/2" HCS	18
12	323-10	5/8" Flange Nut	18
13	525-750	3" Tank Strap Kit	3





Parts List and Exploded View 551-05-200750

ITEM NO.	PART NUMBER	DESCRIPTION	QTY.
1	421-2424Y2	750 Gallon Tank Stand	2
2	420-5132Y1	Adapter Plate for 8" to 12" Hitch - 600/750 Gal Tank	4
3	330-12	3/4" Flat Washer	24
4	330-10	5/8" Flat Washer	18
5	331-12	3/4" Lock Washer	16
6	320-12	3/4" Nut	16
7	300-121500-8	3/4" x 15" Hex Head Bolt - G8	8
8	300-120208-5	3/4" x 2-1/2" Hex Head Bolt - G5	8
9	300-100108-5	5/8" x 1-1/2" HCS	18
10	323-10	5/8" Flange Nut	18
11	421-2364Y1	750 Gallon Elliptical Cradle	1
12	727-01-HE0750-69-OS-W	Elliptical Tank - 750 Gal - White - Offset Sump	1
13	525-750	3" Tank Strap Kit	3





Step by Step Instructions

1. Bolt the tank adapter plates (420-5132Y1) to the tank pedestals (421-2424Y1) using the 3/4" X 2-1/2" bolts, flat and lock washers, and nuts. Tighten them down before moving on to the next step.
2. Place the pedestals on the main hitch bar. Using the extra adapter plates, 3/4" x 15" bolts, and remaining 3/4" hardware, loosely attach the pedestals to the hitch. Be sure the rear pedestal is as far back as possible.
3. Loosely bolt the tank cradle onto the pedestals using the provided 5/8" hardware.
4. Place the tank into the cradle lining the tank strap grooves up with the hole pattern in the cradle. Tighten the tank to the cradle using the provided tank strap kits.
5. Tighten all 5/8" cradle hardware, followed by the 3/4" x 15" bolts. Be sure the tank and cradle are clear of all obstructions.
6. Tighten the tank again after first filling.

