



396-5152Y1

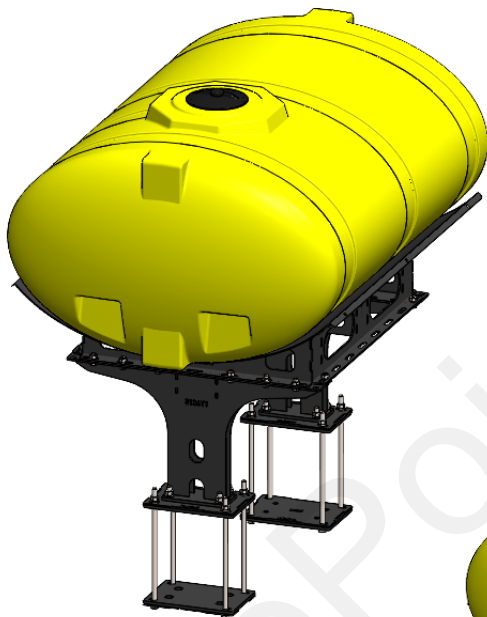
John Deere DB120 Hitch Mounted Tank Kit Mounting Instructions

Planter Manufacturer: **JOHN DEERE**

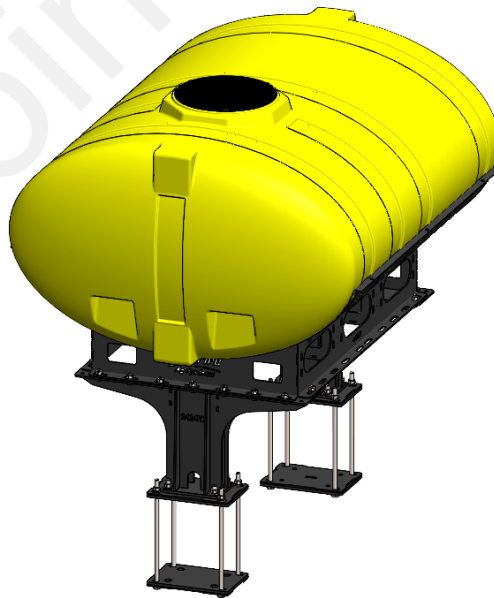
Kit Number: 530-01-450950 (500 Gallon)

Kit Number: 530-01-450960 (600 Gallon)

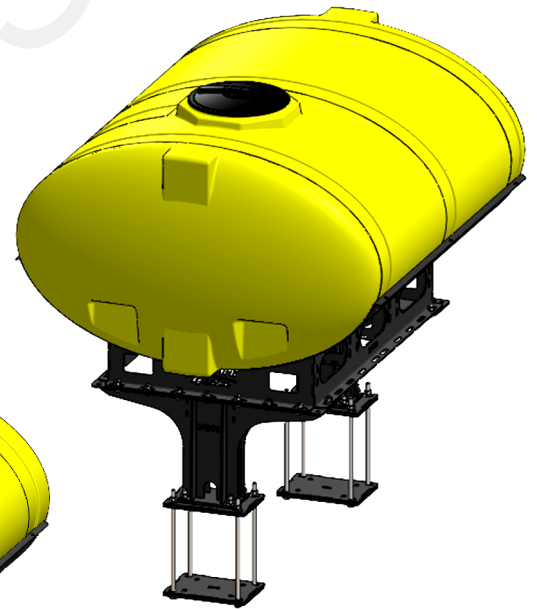
Kit Number: 530-01-450975 (750 Gallon)



500 Gal



600 Gal

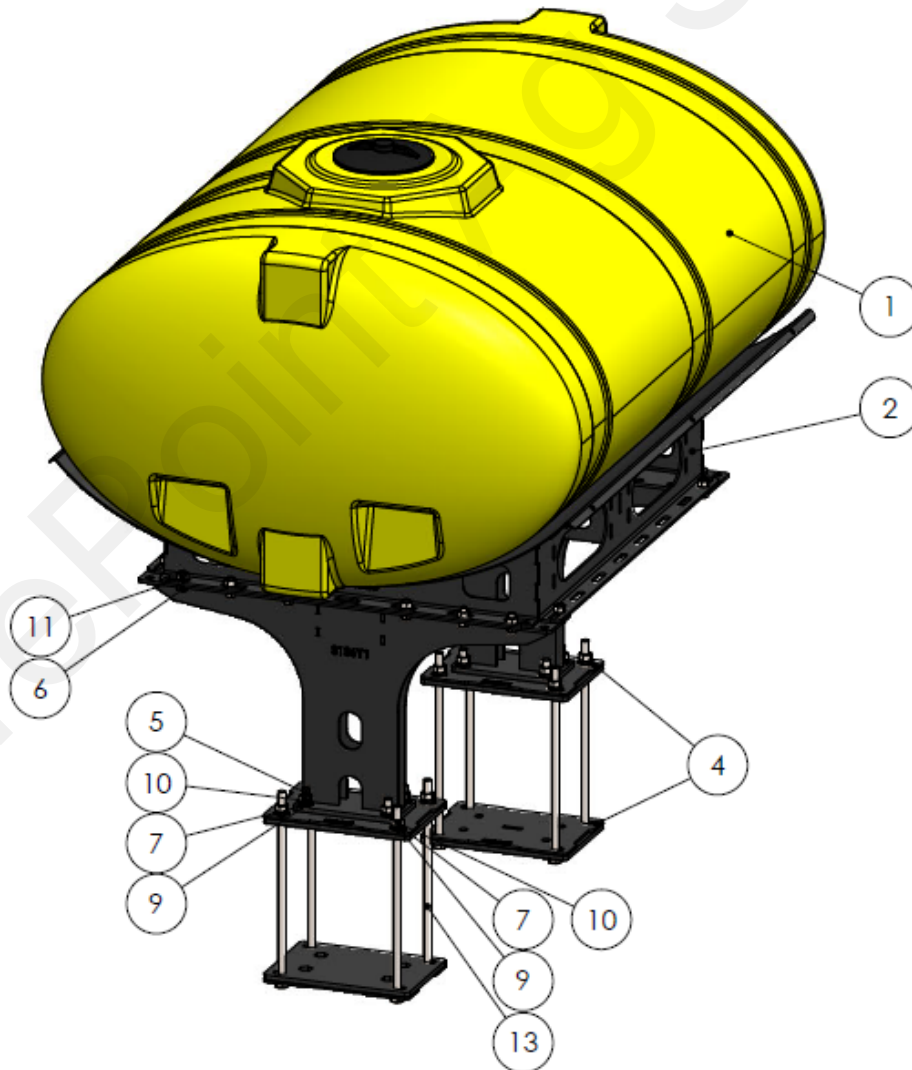


750 Gal



Parts List and Exploded View 530-01-450950

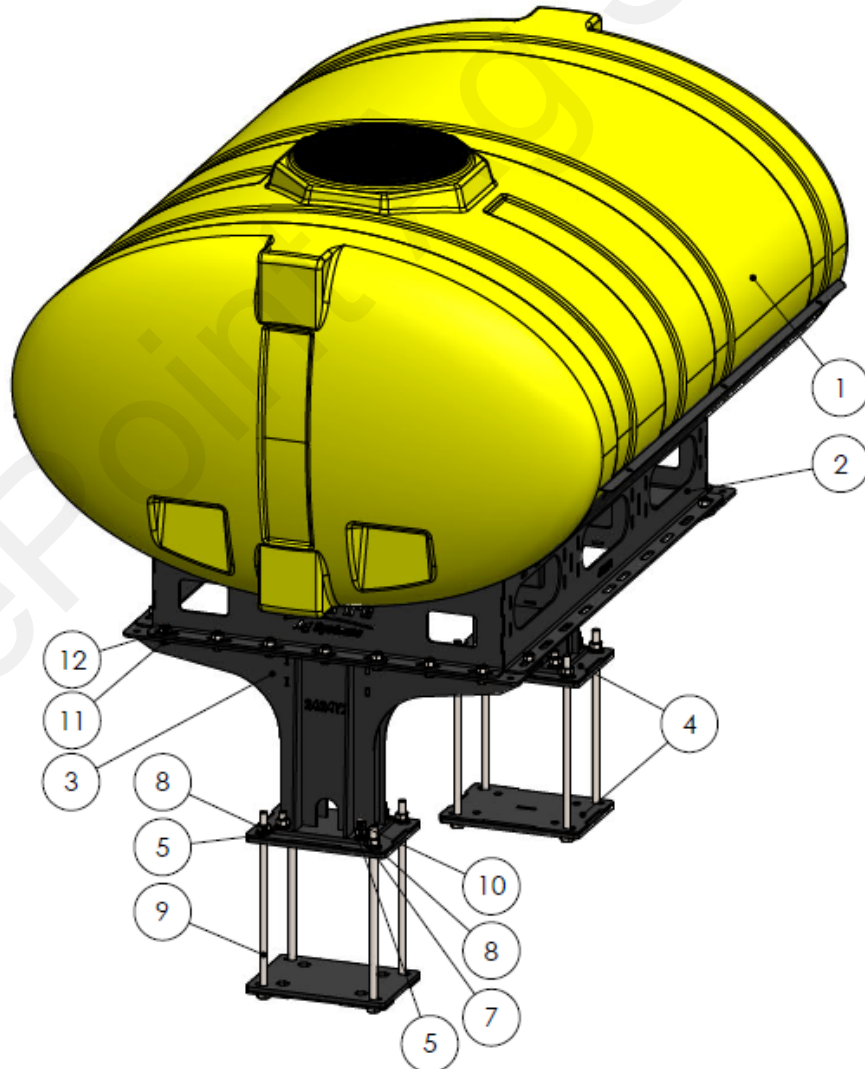
ITEM NO.	PART NUMBER	DESCRIPTION	QTY.
1	727-01-HE0750-69-OS-Y	Elliptical Tank - 500 Gal - Yellow	1
2	421-1329A2	500 Gallon Tank Cradle	1
3	421-2424Y2	600/750 Gallon Tank Pedestal	2
4	420-5129Y1	Adapter Plate for 8" to 12" Hitch - 400/500 Gal Tank	4
5	300-120208-5	3/4" x 2-1/2" Hex Head Bolt - G5	8
6	300-100108-5	5/8" x 1-1/2" HCS	18
7	330-12	3/4" Flat Washer	16
8	330-10	5/8" Flat Washer	18
9	331-12	3/4" Lock Washer	16
10	320-12	3/4" Nut	16
11	323-10	5/8" Flange Nut	18
12	525-750	3" Tank Strap Kit	3
13	300-122000-8	3/4"-10 x 20" G8	8





Parts List and Exploded View 530-01-450960

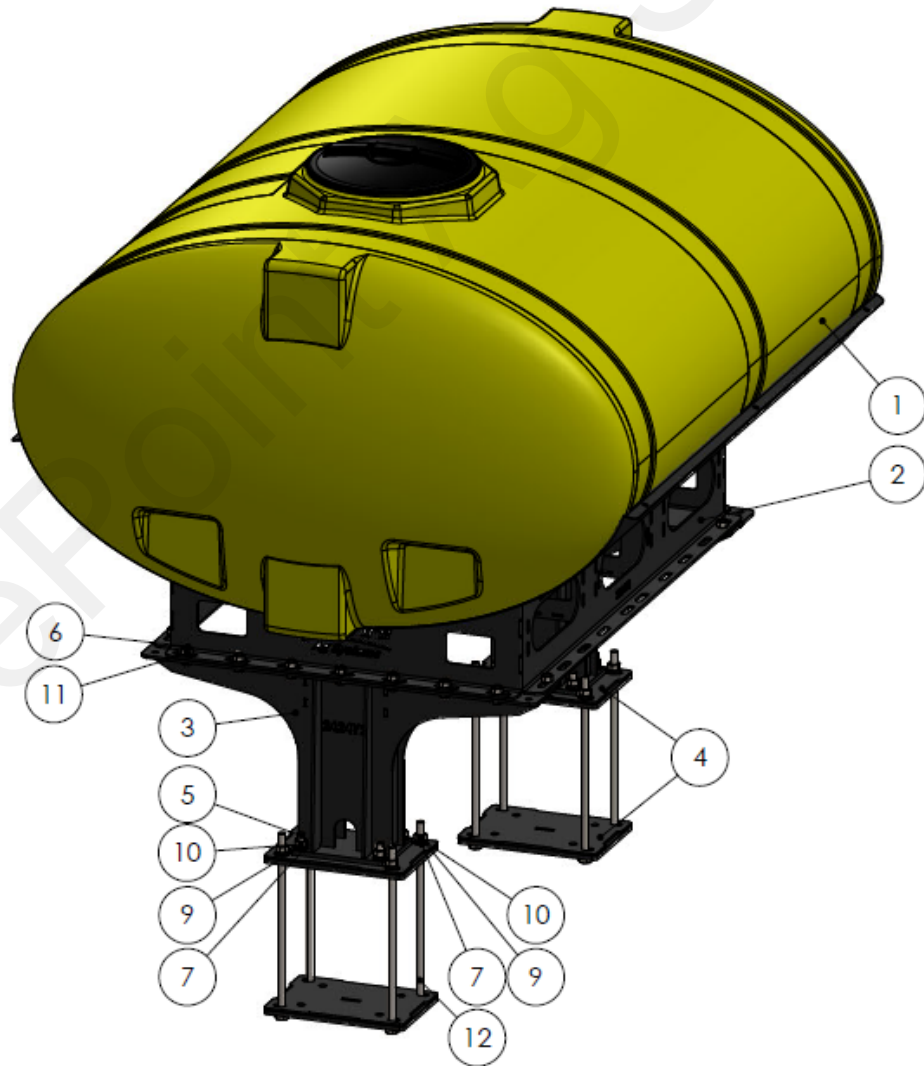
ITEM NO.	PART NUMBER	DESCRIPTION	QTY.
1	727-01-HE0600-64-CS-Y	Elliptical Tank - 600 Gal - Yellow	1
2	421-4105Y1	600 Gallon Elliptical Tank Cradle	1
3	421-2424Y2	600/750 Gallon Tank Pedestal	2
4	420-5132Y1	Adapter Plate for 8" to 12" Hitch - 600/750 Gal Tank	4
5	330-12	3/4" Flat Washer	24
6	330-10	5/8" Flat Washer	18
7	331-12	3/4" Lock Washer	16
8	320-12	3/4" Nut	16
9	300-122000-8	3/4"-10 x 20" G8	8
10	300-120208-5	3/4" x 2-1/2" Hex Head Bolt - G5	8
11	300-100108-5	5/8" x 1-1/2" HCS	18
12	323-10	5/8" Flange Nut	18
13	525-750	3" Tank Strap Kit	3





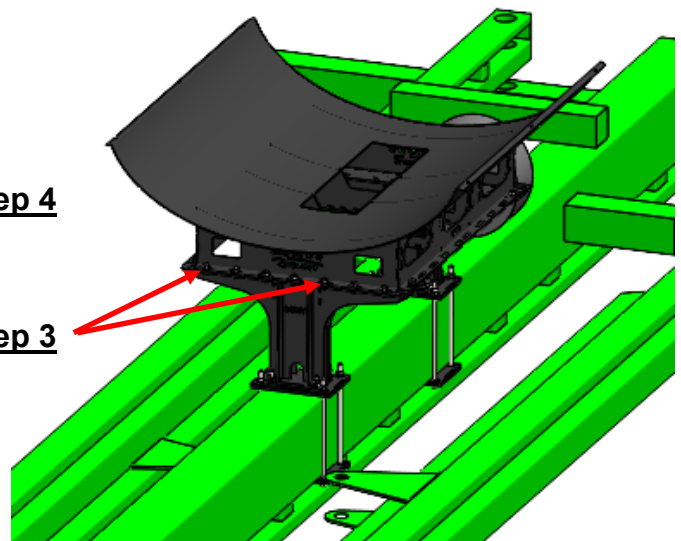
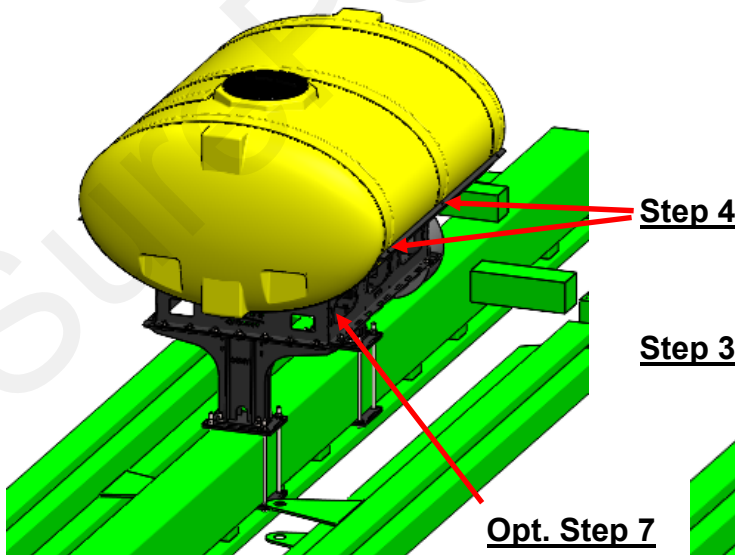
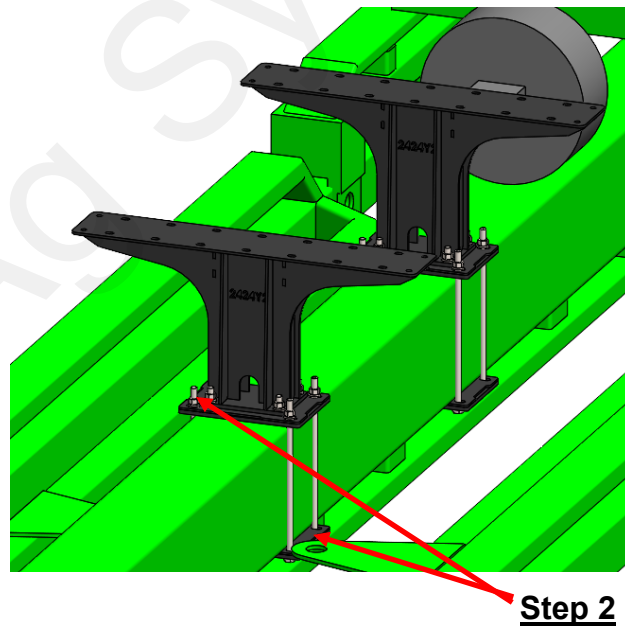
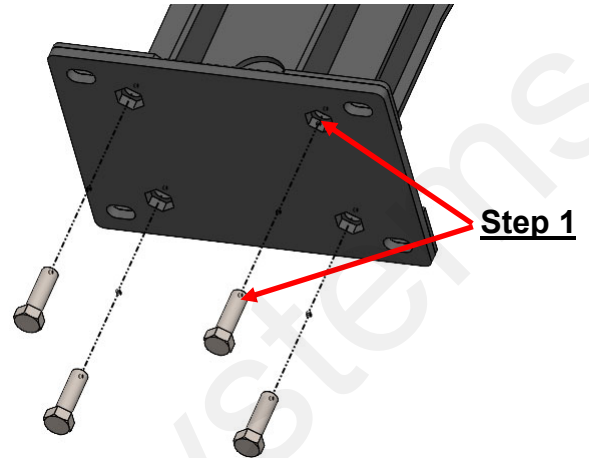
Parts List and Exploded View 530-01-450975

ITEM NO.	PART NUMBER	DESCRIPTION	QTY.
1	727-01-HE0750-69-OS-Y	Elliptical Tank - 750 Gal - Yellow	1
2	421-2364Y1	750 Gallon Tank Cradle	1
3	421-2424Y2	600/750 Gallon Tank Pedestal	2
4	420-5132Y1	Adapter Plate for 8" to 12" Hitch - 600/750 Gal Tank	4
5	300-120208-5	3/4" x 2-1/2" Hex Head Bolt - G5	8
6	300-100108-5	5/8" x 1-1/2" HCS	18
7	330-12	3/4" Flat Washer	16
8	330-10	5/8" Flat Washer	18
9	331-12	3/4" Lock Washer	16
10	320-12	3/4" Nut	16
11	323-10	5/8" Flange Nut	18
12	300-122000-8	3/4"-10 x 20" G8	8
13	525-750	3" Tank Strap Kit	3



Step by Step Instructions

1. Bolt the tank adapter plates (420-5132Y1) to the tank pedestals (421-2424Y1) using the 3/4" X 2-1/2" bolts, flat and lock washers, and nuts. Tighten them down before moving on to the next step.
2. Loosely bolt the pedestals to the hitch using the other tank adapter plates as backer plates, 3/4" x 20" bolts, flat and lock washers, and nuts in the configuration shown.
3. Place the tank cradle on top of the pedestals and loosely bolt them together using the provided 5/8" hardware.
4. Place the tank in the cradle. Line the tank strap grooves up with the hole pattern in the cradle. Tighten the tank down to the cradle using the tank strap kits. Be sure that the tank has proper clearance from the CCS fan.
5. Tighten down cradle hardware. Tighten down 3/4" X 20" bolts.
6. Tighten the tank straps once again after the first filling.
7. Vacuum Gauge extension bracket, see optional instructions on page 6.





Optional Vacuum Gauge Bracket Installation Instructions

The CCS vacuum gauge must be moved so it can be seen with the tank installed.

Instructions:

1. Remove gauge from current mount (easiest before tank is installed)
2. Mount 422-2678Y1 gauge bracket to tank cradle using 3/8" bolts and flange nuts.
3. Extend vacuum hose to new gauge location using 1/4" hose mender and 3/8" OD poly tubing, Part Number 521-00-100255.
4. Mount vacuum gauge to new bracket using existing hardware.

