



396-5146Y1

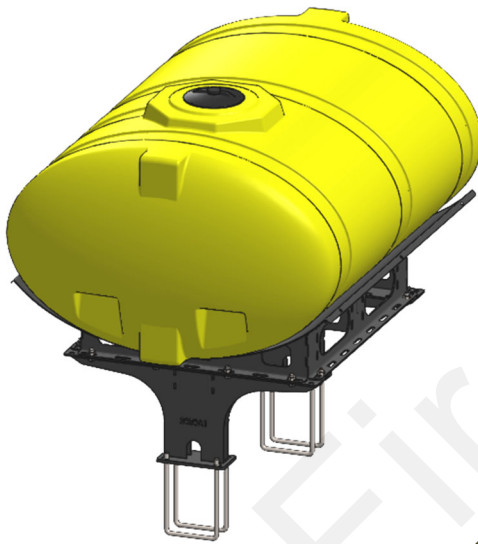
John Deere DB60 Hitch Mounted Tank Kit Mounting Instructions

Planter Manufacturer: **JOHN DEERE**

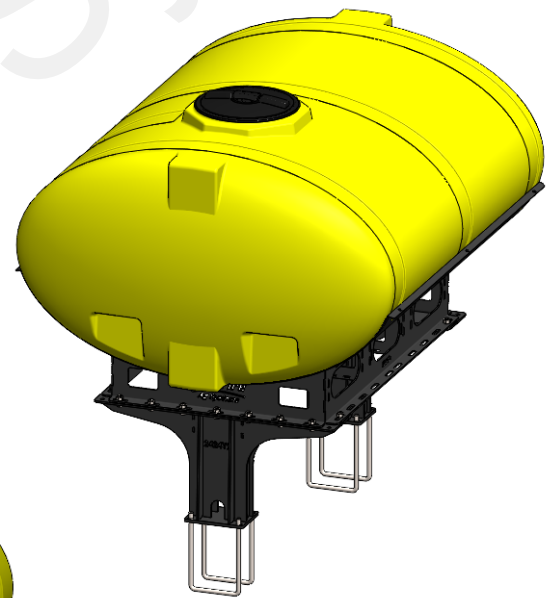
Kit Number: 530-01-450565 (500 Gallon)

Kit Number: 530-01-450570 (600 Gallon)

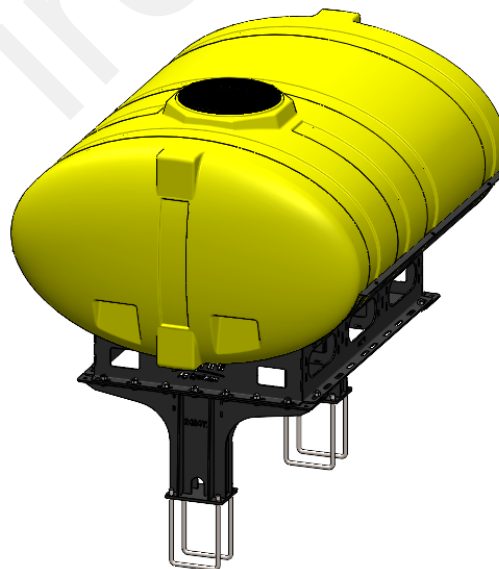
Kit Number: 530-01-450575 (750 Gallon)



500 Gal



750 Gal

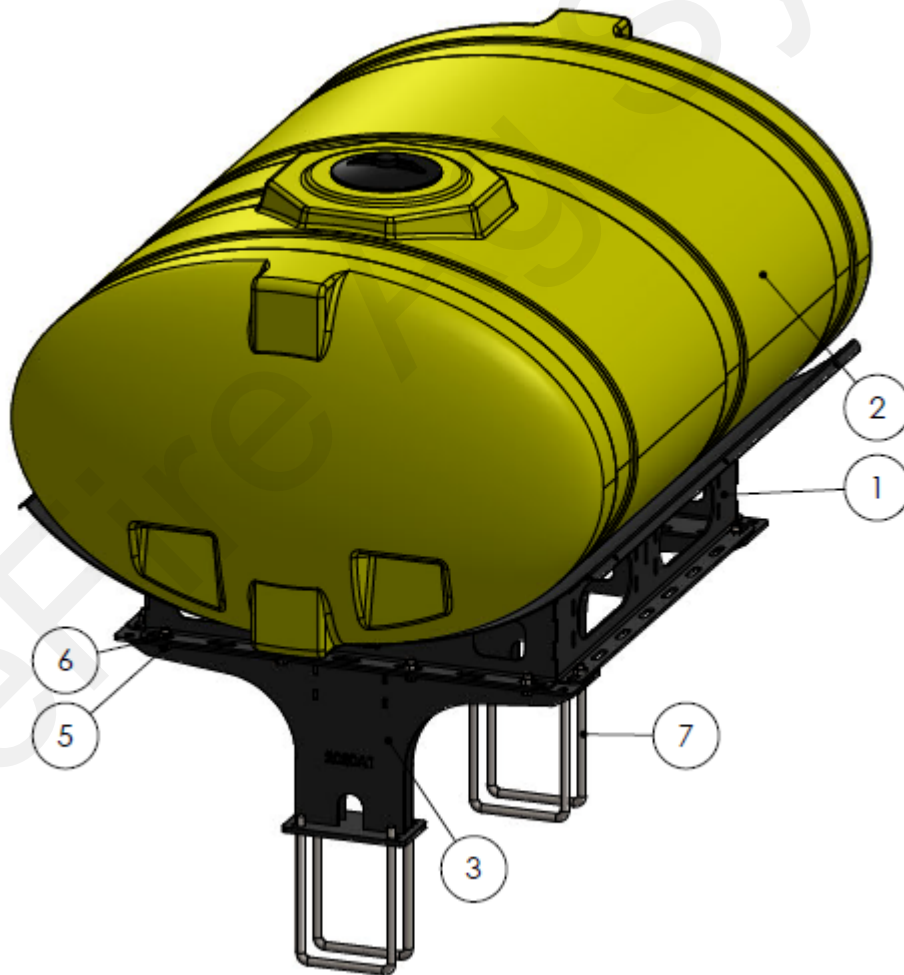


600 Gal



Parts List and Exploded View 530-01-450565

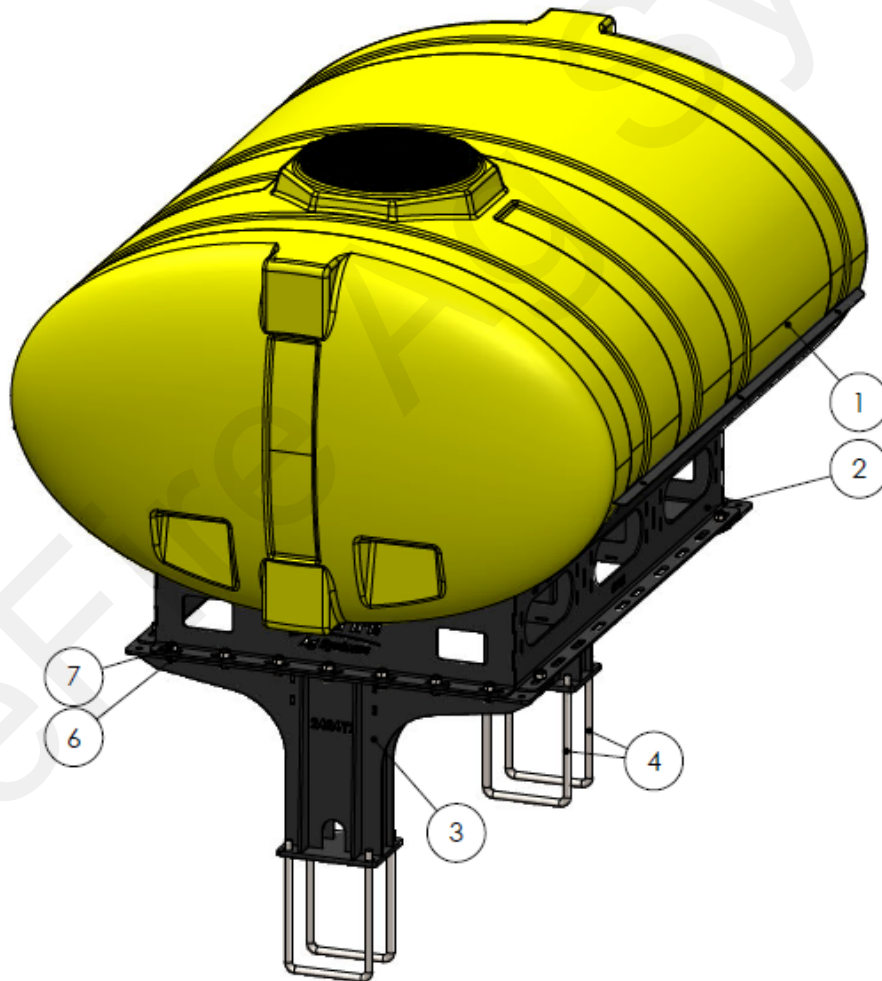
ITEM NO.	PART NUMBER	DESCRIPTION	QTY.
1	421-1329A2	500 Gallon Elliptical Cradle	1
2	727-01-HE0500-57-OS-Y	500 Gallon Elliptical Tank - Yellow	1
3	421-2020A1	400/500 Gallon Tank Pedestal	2
4	330-10	5/8" Flat Washer	12
5	300-100108-5	5/8" x 1-1/2" HCS	12
6	323-10	5/8" Flange Nut	12
7	380-1066	3/4" U-bolt Kit - fits 8" x 12" tube	4
8	525-3000	3" Tank Strap Kit	3





Parts List and Exploded View 530-01-450570

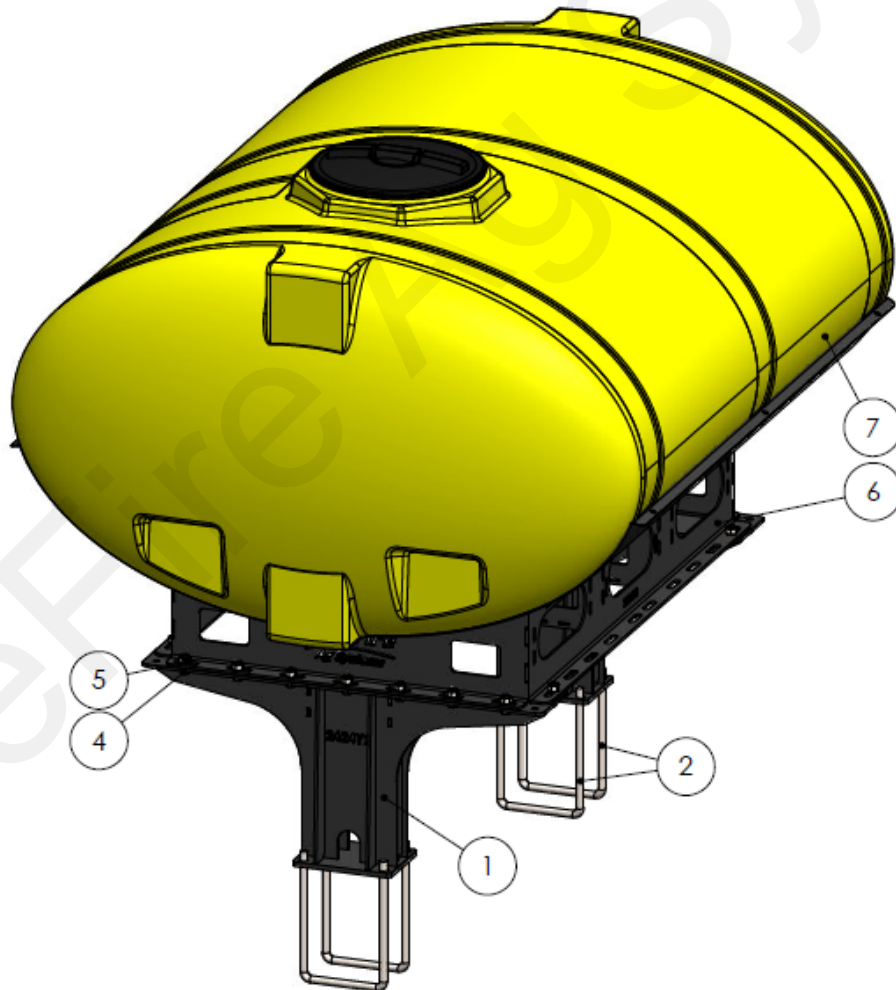
ITEM NO.	PART NUMBER	DESCRIPTION	QTY.
1	727-01-HE0600-64-CS-Y	600 Gallon Elliptical Tank - Yellow	1
2	421-4105Y1	600 Gallon Elliptical Tank Cradle	1
3	421-2424Y2	600/750 Gallon Tank Pedestal	2
4	380-1066	3/4" U-bolt Kit - fits 8" x 12" tube	4
5	330-10	5/8" Flat Washer	18
6	300-100108-5	5/8" x 1-1/2" HCS	18
7	323-10	5/8" Flange Nut	18
8	525-750	3" Tank Strap Kit	3





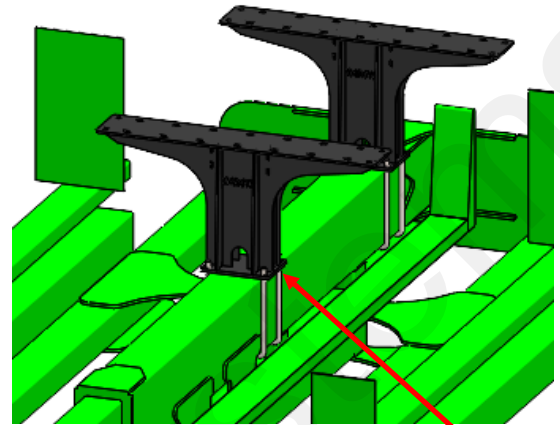
Parts List and Exploded View 530-01-450575

ITEM NO.	PART NUMBER	DESCRIPTION	QTY.
1	421-2424Y2	1775NT - 750 Gallon Tank Stand	2
2	380-1066	3/4" U-bolt Kit - fits 8" x 12" tube	4
3	330-10	5/8" Flat Washer	18
4	300-100108-5	5/8" x 1-1/2" HCS	18
5	323-10	5/8" Flange Nut	18
6	421-2364Y1	750 Gallon Elliptical Tank Cradle	1
7	727-01-HE0750-69-OS-Y	750 Gallon Elliptical Tank - Yellow	1
8	525-750	3" Tank Strap Kit	3

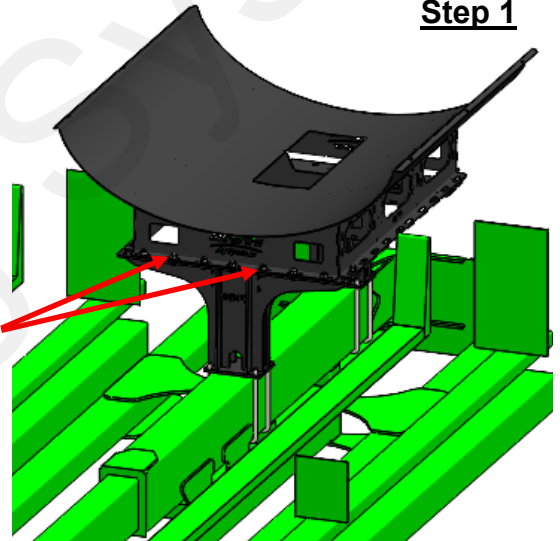


Step by Step Instructions

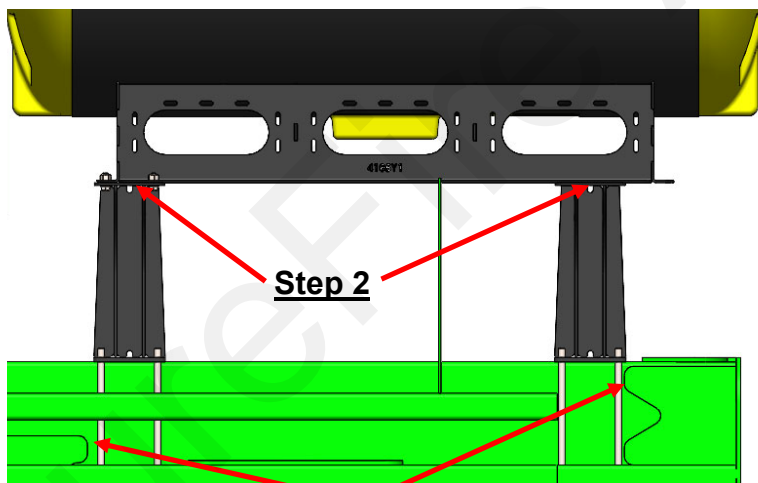
1. Place the pedestals on the main hitch bar and loosely bolt them on with the provided U-Bolts. Place the rear pedestal as far rearward as possible and the front pedestal as far forward as possible.
2. Place the cradle on top of the pedestals. Loosely bolt the cradle to the pedestals using the 5/8" hardware. Refer to the picture below for the configuration of the cradle on top of the pedestals.
3. Place the tank in the cradle and line the tank strap grooves up to the hole pattern in the cradle. Tighten the tank down to the cradle using the provided tank strap kits.
4. Tighten the 5/8" cradle hardware, followed by the U-Bolts. Be sure to check tank clearance from the CCS tanks.
5. Tighten the tank straps after first filling.
6. Vacuum gauge extension bracket, see optional instructions on page 6.



Step 1

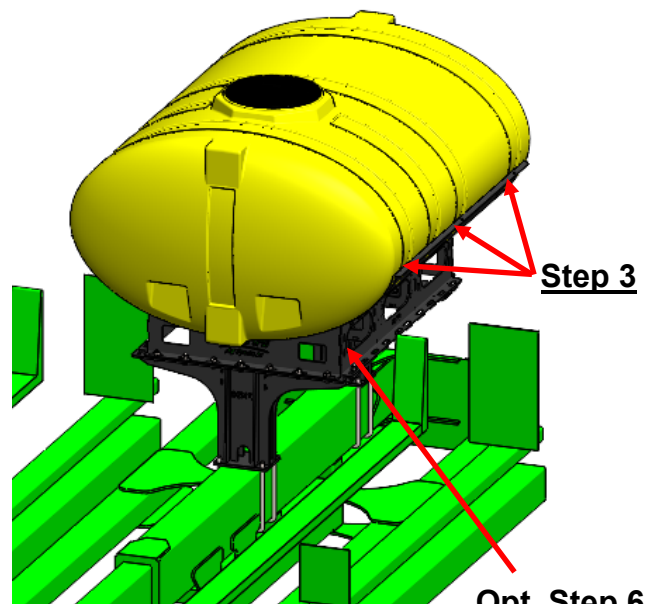


Step 2



Step 2

Step 1



Step 3

Opt. Step 6



Optional Vacuum Gauge Bracket Installation Instructions

The CCS vacuum gauge must be moved so it can be seen with the tank installed.

Instructions:

1. Remove gauge from current mount (easiest before tank is installed)
2. Mount 422-2678Y1 gauge bracket to tank cradle using 3/8" bolts and flange nuts.
3. Extend vacuum hose to new gauge location using 1/4" hose mender and 3/8" OD poly tubing, Part Number 521-00-100255.
4. Mount vacuum gauge to new bracket using existing hardware.

