



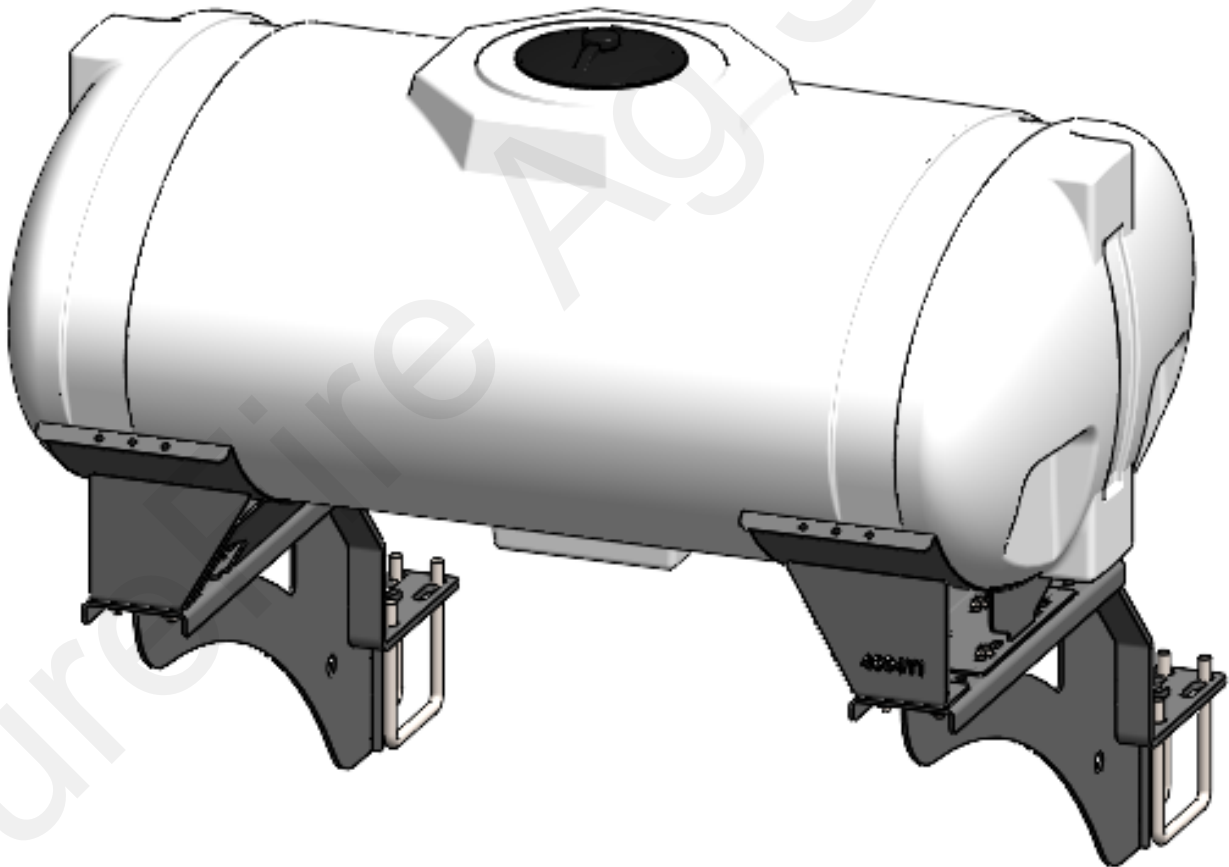
396-5038Y1

Kinze 4905 16R Wing Mount Tank Kit Mounting Instructions

Planter Manufacturer: **KINZE**

Kit Number: 530-03-425000

Description: Kinze 4905 16R Bulk Fill Wing Mount Tank Kit

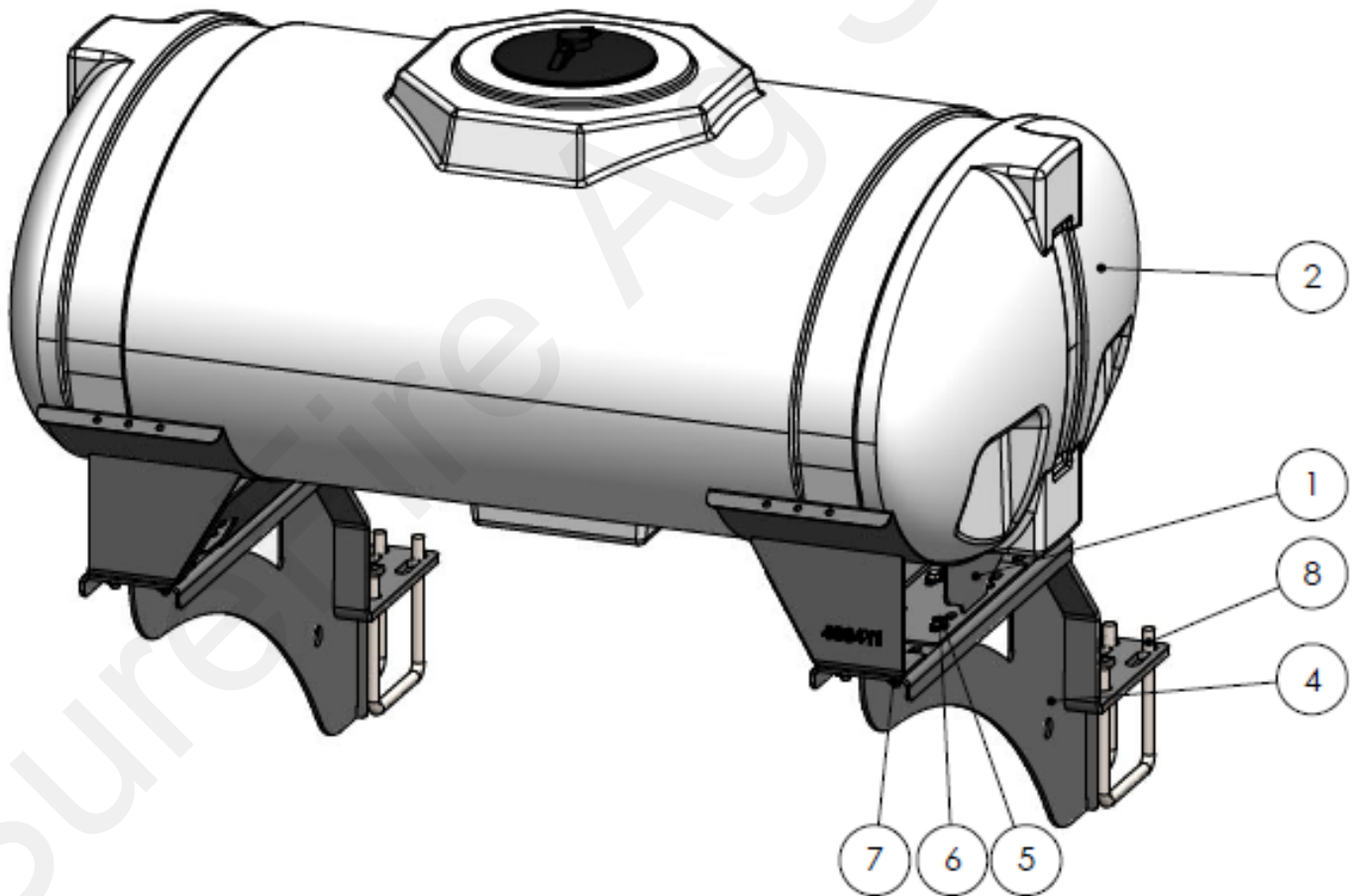




Parts List and Exploded View

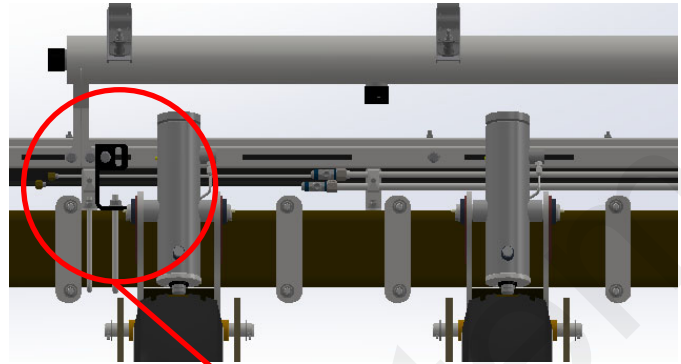
530-03-425000

ITEM NO.	PART NUMBER	DESCRIPTION	QTY.
1	420-4694Y1	200 Gallon Tank Saddle	2
2	727-01-HE0200-41-W	Elliptical Tank - 200 Gal - White	1
3	525-2055	2" Strap Kit for Tanks under 300 Gallon	2
4	420-4966Y1	Kinze 16R Wing Mount Tank Bracket	2
5	330-08	1/2" Flat Washer	16
6	300-080108-5	1/2" x 1-1/2" Hex Head Bolt - G5	16
7	323-08	1/2" Flange Nut	16
8	380-1060	3/4" U-bolt Kit - fits 7" x 7" tube - (7" opening)	4
9	435-4967Y1	Kinze 4905 16R Wing Tank Hose Support Bracket	1
10	435-4968Y1	Kinze 4905 16R Wing Tank Cable Tray Support Bracket	1

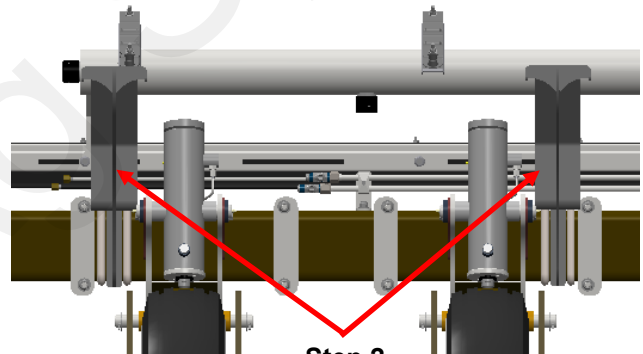


Step by Step Instructions

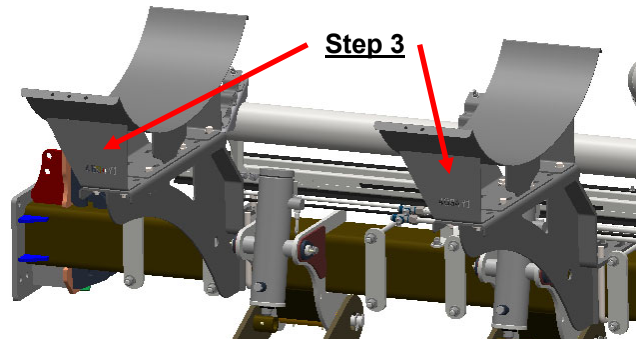
1. Begin by removing the cable tray and hydraulic hose support brackets from the main hitch bar (reference pictures to the right for locations). You will replace these with the 4967Y1 and 4968Y1 brackets later.
2. Loosely bolt the 4966Y1 brackets on the bar (reference picture for exact locations) using the provided U-Bolts. Using the 4967Y1 and 4968Y1 brackets, replace the original cable tray and hose support brackets by bolting them onto the tank brackets as shown below and bolt original hardware onto the new brackets.
3. Place the tank saddles on the brackets in the configuration shown below. Use the 1/2" hardware to loosely bolt them to the brackets.
4. Place the tank into the saddles. Line the tank strap grooves up with the hole pattern in the saddles. Use the tank strap kits to tighten the tank to the saddles. Tighten down tank saddle hardware followed by the tank bracket U-Bolts.
5. Tighten the tank straps after first filling.



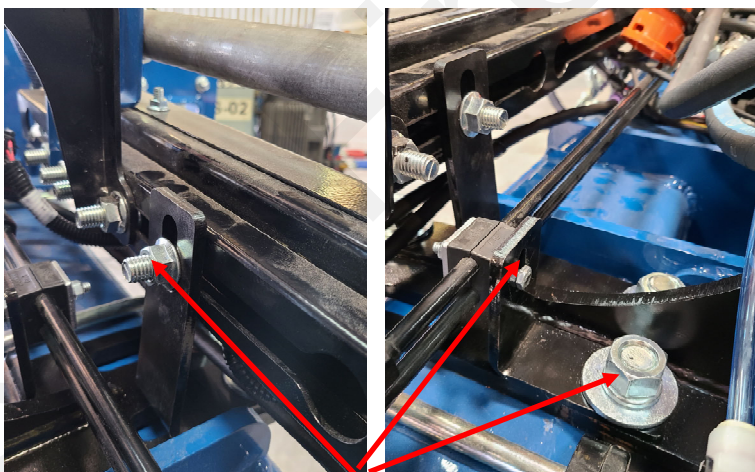
Step 1



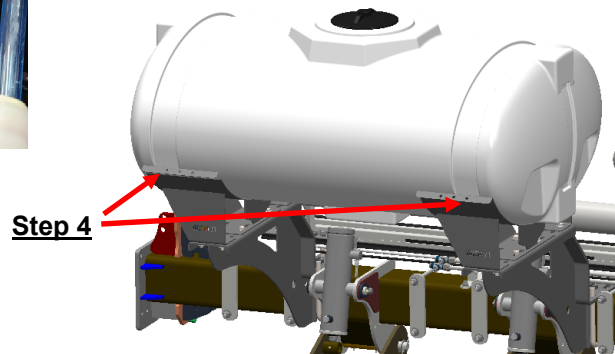
Step 2



Step 3



Step 2



Step 4

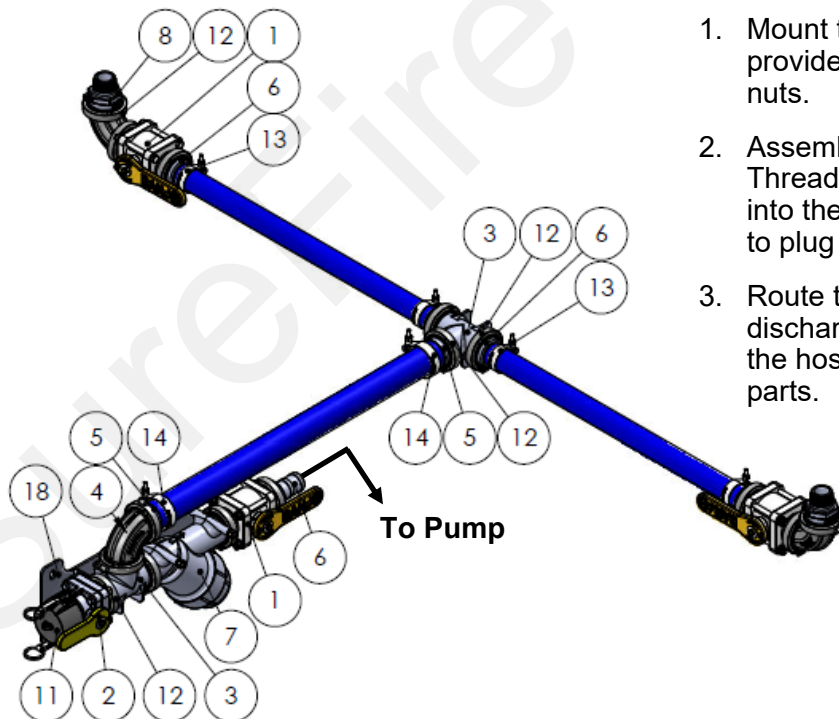


Fill/Discharge Kit

Kit Number: 520-00-250400

Description: Kinze 4905 (16R/24R) Wing Tank Fill/Discharge Kit

ITEM NO.	PART NUMBER	DESCRIPTION	QTY.
1	102-200MVCF	2" Manifold Ball Valve	3
2	102-200VSFCF	200 Series Manifold x 2" Male Quick Coupler Std Port Valve	1
3	105-200TEE	2" Flanged Tee Fitting	2
4	105-200SWP90	2" Manifold Sweep - 90 Degree	3
5	105-200BRB	2" Manifold x 2" HB	3
6	105-200150BRB	2" Manifold X 1-1/2" Barb	5
7	109-200MLS-20M	2" Manifold Y Strainer - 20 Mesh	1
8	105-200125MPT	2" Manifold x 1-1/4" MPT	2
9	280-200-ENF	2" Enforcer Fertilizer Solution Hose (ft)	10
10	280-150-ENF	1-1/2" Enforcer Fertilizer Solution Hose (ft)	60
11	106-200CAP	2" Cap	1
12	105-FC200	2" Manifold Clamp	15
13	350-TC181	T-Bolt Hose Clamp - fits 1-1/2" Enforcer	4
14	350-TC231	T-Bolt Hose Clamp - fits 2" Enforcer	2
15	330-05	5/16" Flat Washer	2
16	300-050508-5	5/16" x 5-1/2" Hex Head Bolt - G5	2
17	323-05-SS	5/16" Flange Nut SS	2
18	435-4974Y1	Kinze 4905 Bulk Fill Stair Fill Kit Mounting Bracket	1
19	105-150G-H	1-1/2" Gasket for 200 Manifold Fittings	15
20	100-125PLUG	1-1/4" Plug	2
21	300-050508-5	5/16" x 5-1/2" Hex Head Bolt - G5	2
22	323-05	5/16" Flange Nut	2
23	330-05	5/16" Flat Washer	2



1. Mount the 435-4974Y1 bracket to the holes provided in the stairs using the 3/8" x 1" bolts and nuts.
2. Assemble the fill/discharge kit as shown below. Thread the correct size pipe threaded manifold into the bottom tank bung. Use the provided plug to plug the second bung.
3. Route the 2" enforcer hose from the fill port to the discharge kit under the tank. Make sure to keep the hose away from row units and any moving parts.

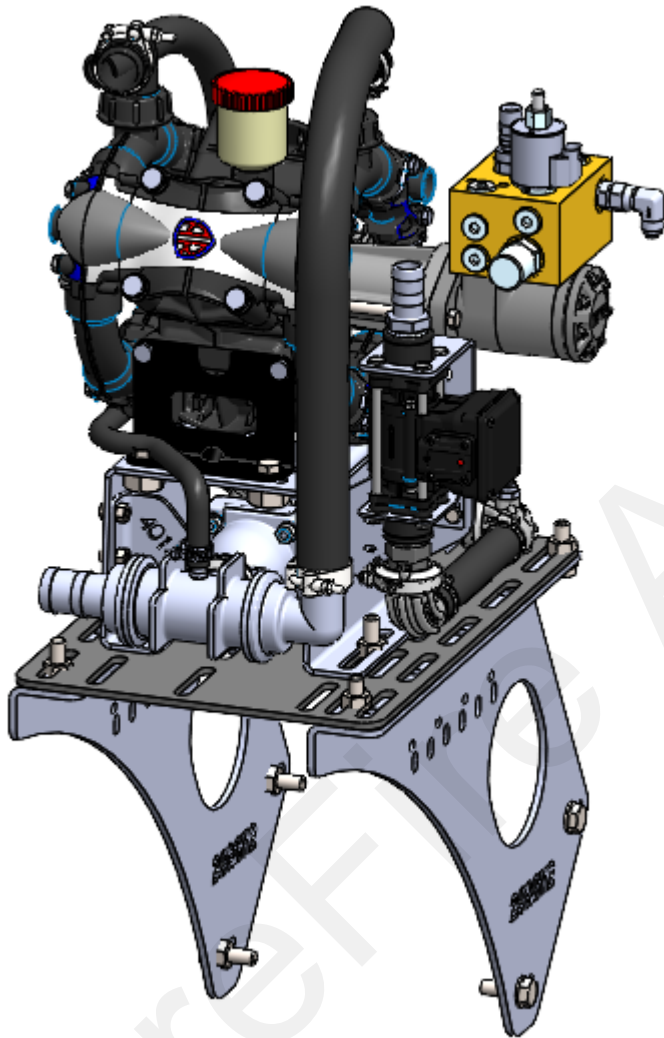


Over the Tire Pump Mounting Kit

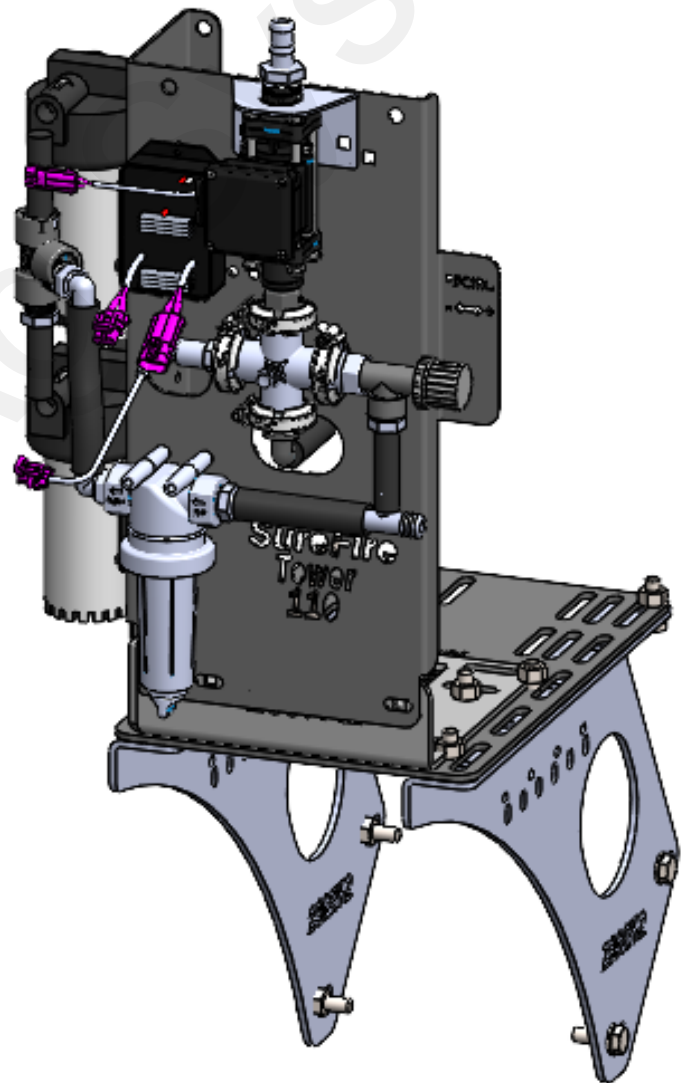
Kit Number: 515-201300

Description: Kinze 4905 12R/16R Over the Tire Pump Mounting Kit

Instruction Sheet: 396-2937Y1



PumpRight



Tower