

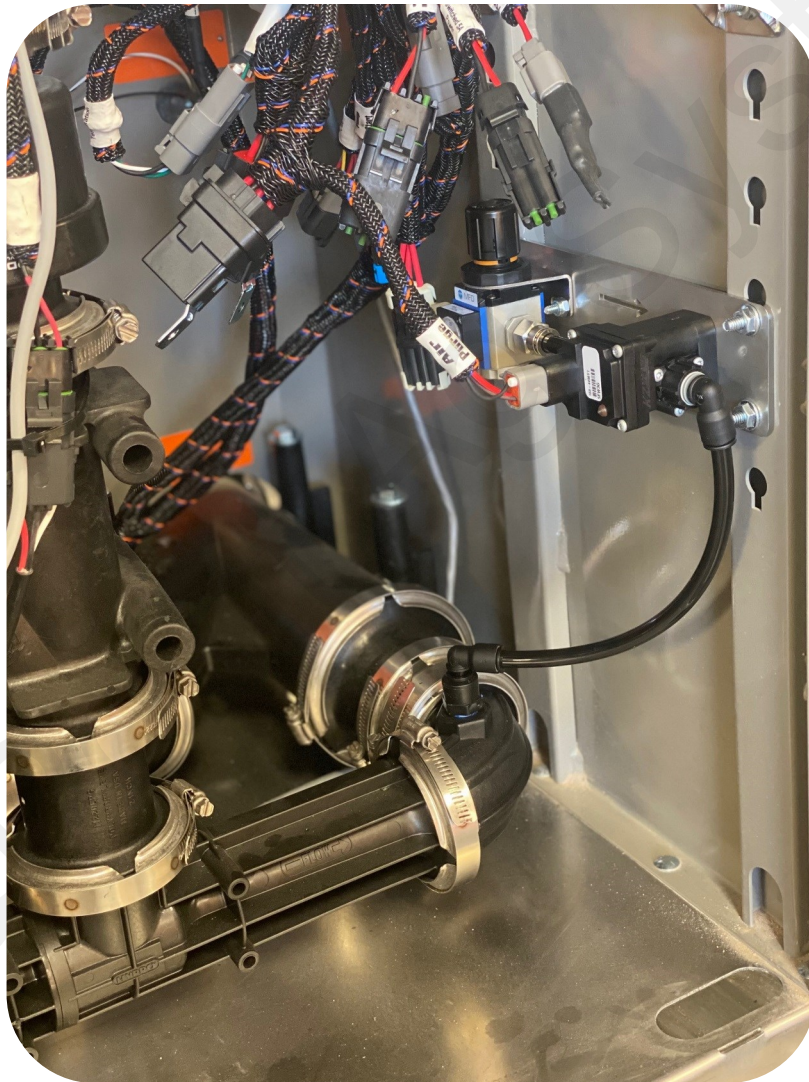


396-4876Y1

QuickDraw^{MAX} 3000

Air Purge Installation Instructions

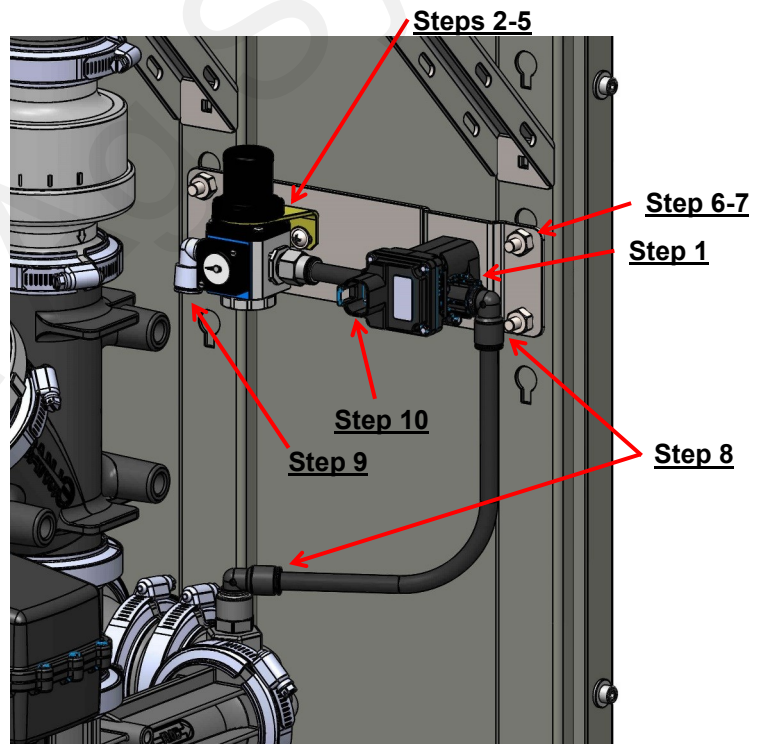
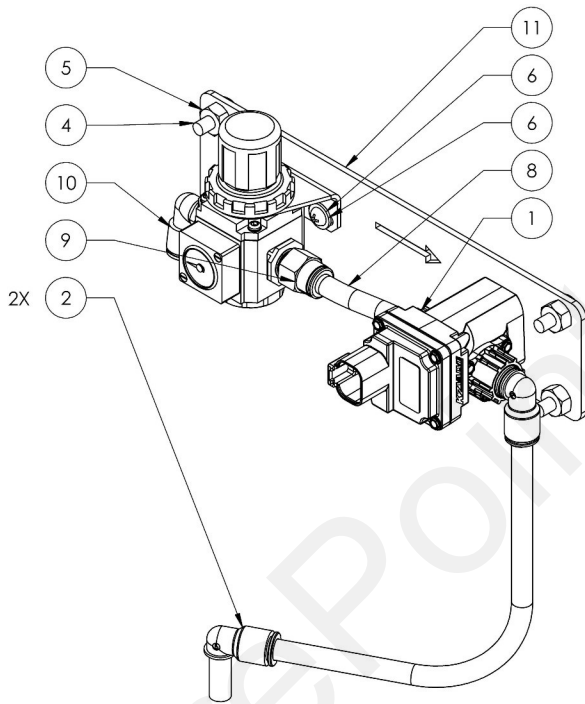
QuickDraw has the functionality to blow out the sprayer hose at the completion of a batch or recipe. Once the batch has finished and the water supply valves have closed, the air purge valve opens for a user settable time in order to blow out the hose and make handling the sprayer hose easier.





606-03-300150 - QuickDraw Air Purge Kit (MY2021 and Newer) Parts List & Installation Instructions

ITEM	PART NUMBER	DESCRIPTION	QTY.
1	103-4496Y1	Zip Valve 1/4" Nylon, 2-way, SS Ball, 3/8" Push to Connect	1
2	113-12-038038	Stem Elbow - 3/8" Stem x 3/8" QC	2
3	137-MGR200-08L	Air Pressure Regulator w/ 60 psi Gauge – 1/4" NPT Inlet/Outlet	1
4	304-040012-5	Carriage Bolt - 1/4" x 3/4" G5	4
5	323-04	1/4" Flange Nut	4
6	330-1024	Size 10 Flat Washer	2
7	340-100012	Machine Screw - Size 10 x 3/4"	2
8	385-043-AP1	Bulk 3/8" Tubing	1
9	385-50-038025-CZ	3/8" Tube to 1/4 NPT Straight - Pneumatic Fitting	1
10	385-51-038025-CZ	3/8" Tube to 1/4 NPT 90 Elbow - Pnuematic Fitting (Not Used)	1
11	475-4852Y1	QuickDraw Air Purge Regulator/Valve Mounting Bracket	1
12	757-97349A200	Size 6 Thread Forming Screw for Plastic - SS	3



Assembly Instructions for MY2021 and newer:

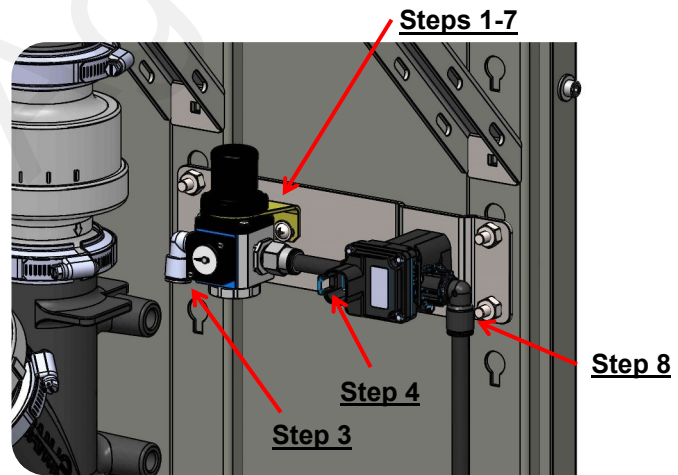
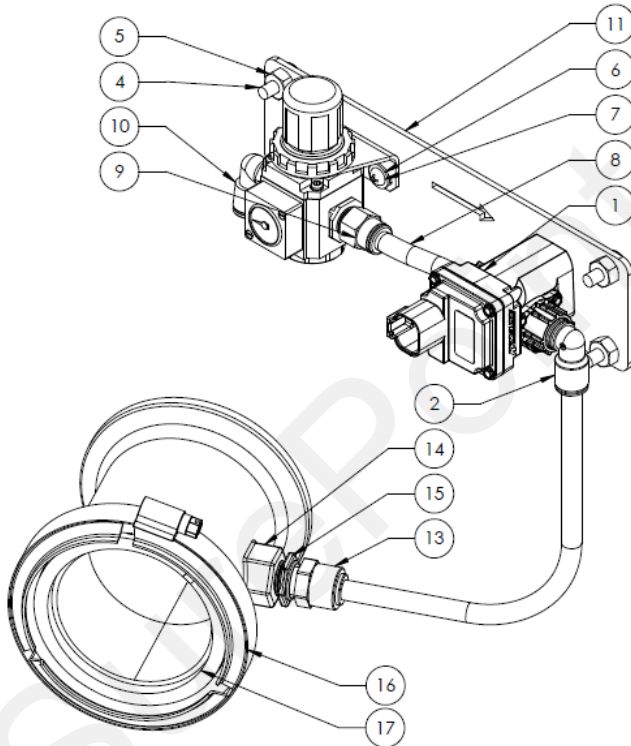
Note: For ease of access, it is recommend to remove the back QuickDraw door.

1. Mount the electric on/off valve to mounting bracket using (3) Size 6 Thread Forming Screws
2. Install 1/4" MPT x 3/8" fittings into the Air Pressure Regulator as shown.
3. Cut 3/8" Pneumatic tubing to approximately 3-3/4" and install in zip valve.
4. Push to connect the air regulator to the tube.
5. Mount the Air Pressure Regulator to the mounting bracket using the Size 10 machine screw, flat washer and nylock.
6. Loosely install 1/4" flange nuts onto the carriage bolts.
7. Slide assembly in Battery Tray key slots and tighten flange nuts.
8. Install 3/8" Stem x HB fittings in the outlet of the Zip Valve and into the check valve in the QuickDraw Main Plumbing assembly, in the 2" full port sweep fitting. *(This step is not applicable to QuickDraw Max Suction, see page 3)*
9. Connect air supply to the pressure regulator inlet fitting and set the Air Pressure Regulator to 20-25 PSI.
10. Plug the "Air Purge" connector in the main QuickDraw Harness into the air supply valve (4-Pin Deutsch Connector).



606-03-300160 - QuickDraw^{MAX} Suction Air Purge Kit Parts List & Installation Instructions

ITEM NO.	PART NUMBER	DESCRIPTION	QTY.
1	103-4496Y1	Zip Valve 1/4" Nylon, 2-way, SS Ball, 3/8" Push to Connect	1
2	113-12-038038	Stem Elbow - 3/8" Stem x 3/8" QC	2
3	137-MGR200-08L	Air Pressure Regulator w/ 60 psi Gauge – 1/4" NPT Inlet/Outlet	1
4	304-040012-5	Carriage Bolt - 1/4" x 3/4" G5	4
5	323-04	1/4" Flange Nut	4
6	330-1024	Size 10 Flat Washer	2
7	340-100012	Machine Screw - Size 10 x 3/4"	2
8	385-043	Bulk 3/8" Tubing	20ft
9	385-50-038025-CZ	3/8" Tube to 1/4 NPT Straight - Pneumatic Fitting	1
10	385-51-038025-CZ	3/8" Tube to 1/4 NPT 90 Elbow - Pneumatic Fitting	1
11	475-4852Y1	QuickDraw Air Purge Regulator/Valve Mounting Bracket	1
12	757-97349A200	Size 6 Thread Forming Screw for Plastic - SS	3
13	757-2048N11	QD Check Valve - 1/4" MPT x 3/8" QC	1
14	105-300CPG-038	3" Manifold Coupling with 3/8" Tap	1
15	100-038025RB	3/8" MPT x 1/4" FPT Reducer Bushing	1
16	105-FC300	3" Manifold Clamp	1
17	105-300G-H	3" EPDM Manifold Gasket	1



Note: Installing air purge connection downstream of the pump with a check valve will mitigate priming issues.

Assembly Instructions for QuickDraw^{MAX} Suction:

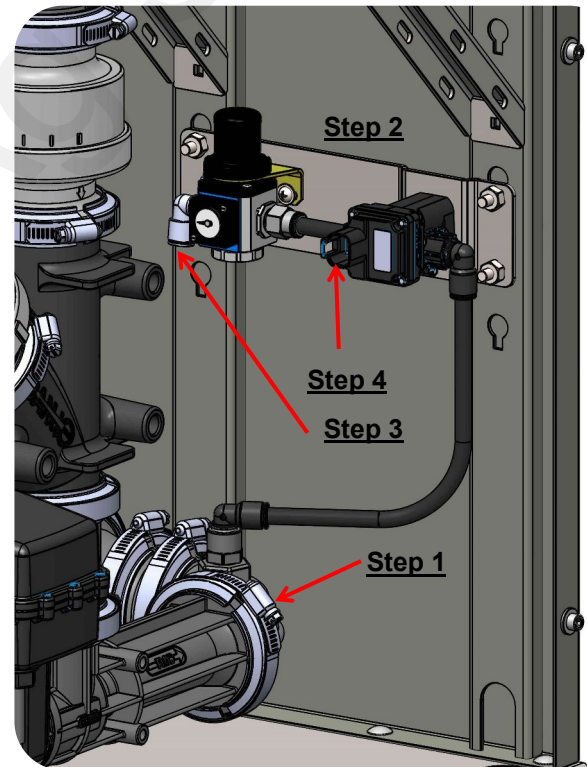
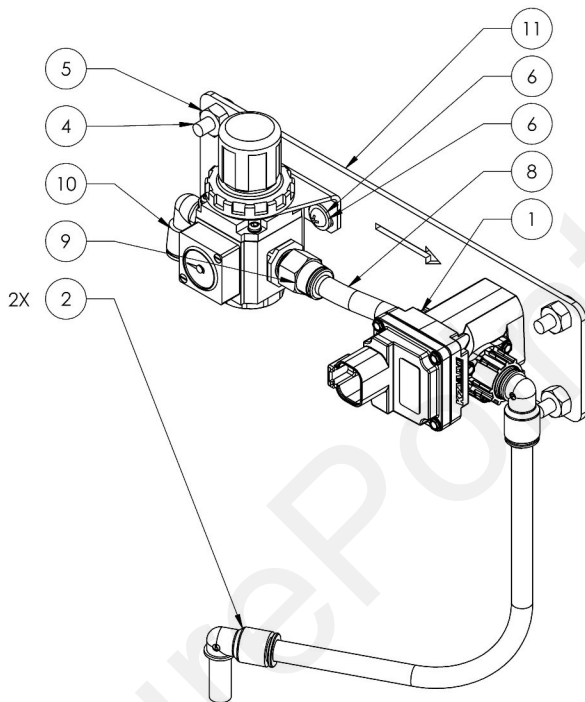
Note: For ease of access, it is recommend to remove the back QuickDraw door.

1. Follow Steps 1-7 from previous page to mount the air purge assembly in the QuickDraw cabinet.
2. Install 3/8" Stem x HB fittings in the outlet of the Zip Valve and install the tapped 3" coupler with 3/8" check valve installed in the desired location downstream of the pump.
3. Connect air supply to the pressure regulator inlet fitting and set the Air Pressure Regulator to 20-25 PSI.
4. Plug the "Air Purge" connector in the main QuickDraw Harness into the air supply valve (4-Pin Deutsch Connector).



606-03-300175 - QuickDraw Air Purge Retrofit Kit Parts List & Installation Instructions

ITEM NO.	PART NUMBER	DESCRIPTION	QTY.
1	103-4496Y1	Zip Valve 1/4" Nylon, 2-way, SS Ball, 3/8" Push to Connect	1
2	113-12-038038	Stem Elbow - 3/8" Stem x 3/8" QC	2
3	137-MGR200-08L	Air Pressure Regulator w/ 60 psi Gauge – 1/4" NPT Inlet/Outlet	1
4	304-040012-5	Carriage Bolt - 1/4" x 3/4" G5	4
5	323-04	1/4" Flange Nut	4
6	330-1024	Size 10 Flat Washer	2
7	340-100012	Machine Screw - Size 10 x 3/4"	2
8	385-043-AP1	Bulk 3/8" Tubing	1
9	385-50-038025-CZ	3/8" Tube to 1/4 NPT Straight - Pneumatic Fitting	1
10	385-51-038025-CZ	3/8" Tube to 1/4 NPT 90 Elbow - Pnuematic Fitting (Not Used)	1
11	475-4852Y1	QuickDraw Air Purge Regulator/Valve Mounting Bracket	1
12	757-97349A200	Size 6 Thread Forming Screw for Plastic - SS	3
*13	208-05-4863Y1	QuickDraw Adapter Aux Output to Air Purge	1
*14	105-220SWPG90	2" Manifold Sweep with 1/4" Gauge Port - 90 Degree	1
*15	757-2048N11	QD Check Valve - 1/4" MPT x 3/8" QC	1



Assembly Instructions for QuickDraw 3000 units sold prior to 2021:

1. Replace the 2" full port manifold sweep with the new gauge port sweep and use pipe thread sealant to install the 1/4" MPT x 3/8" QC Check Valve into the gauge port. Re-use the existing clamps and gaskets.
2. Follow the instructions from the previous pages for the installation of the Air Purge Assembly.
3. Connect air supply to the pressure regulator inlet fitting and set the Air Pressure Regulator to 20-25 PSI.
4. Plug the 208-04-4863Y1 - QuickDraw Adapter Aux Output to Air Purge into the 6-pin Deutsch connector in the harness connector labeled "Aux" and plug into the air supply valve (4-pin DT).
5. A software update will be required for adding the Air Purge feature to QuickDraw units sold prior to 2021. Follow the instructions in the QuickDraw manual for downloading and installing the latest versions of software incorporating the Air Purge functionality.

Air Purge Controller Setup

System Settings 2

Product Valve	Close Time
Valve 1	3.20 Sec
Valve 2	1.50 Sec
Valve 3	1.50 Sec
Valve 4	1.50 Sec
Valve 5	1.50 Sec
Valve 6	1.50 Sec

Boost Pump:

Purge Time: Sec

Display Sleep:

Sleep Time: Min

Inactive Shutdown:

Inactive Shutdown Time: Min

- Set the desired time for the air purge valve to open after the completion of the QuickDraw batch.
- Outlet hose size and length will vary by application, requiring different durations of the purge valve being open.
- Setting the Purge Time to 0.0 Sec will disable the feature.

Remote Settings RUN MENU

Manual Controls

Carrier Flow

1497.7 GAL
0.0 GPM

RESET

Mass Meter Flow

274.4 GAL
0.0 GPM

RESET

Pressure: 0.0 PSI

PRODUCT HOSE RINSE DISABLED

MASS METER DATA

Valve 1

Valve 2

Valve 3

Valve 4

Valve 5

SET POSITION	COMMAND POSITION	ACTUAL POSITION
<input type="text" value="0"/>	0	0
<input type="text" value="0"/>	0	0
<input type="text" value="0"/>	0	0
<input type="text" value="0"/>	0	0
<input type="text" value="0"/>	0	0

2 Inch 3 Inch Valve Rinse

Start Pump Start Boost

Kill Pump Start Purge RUN

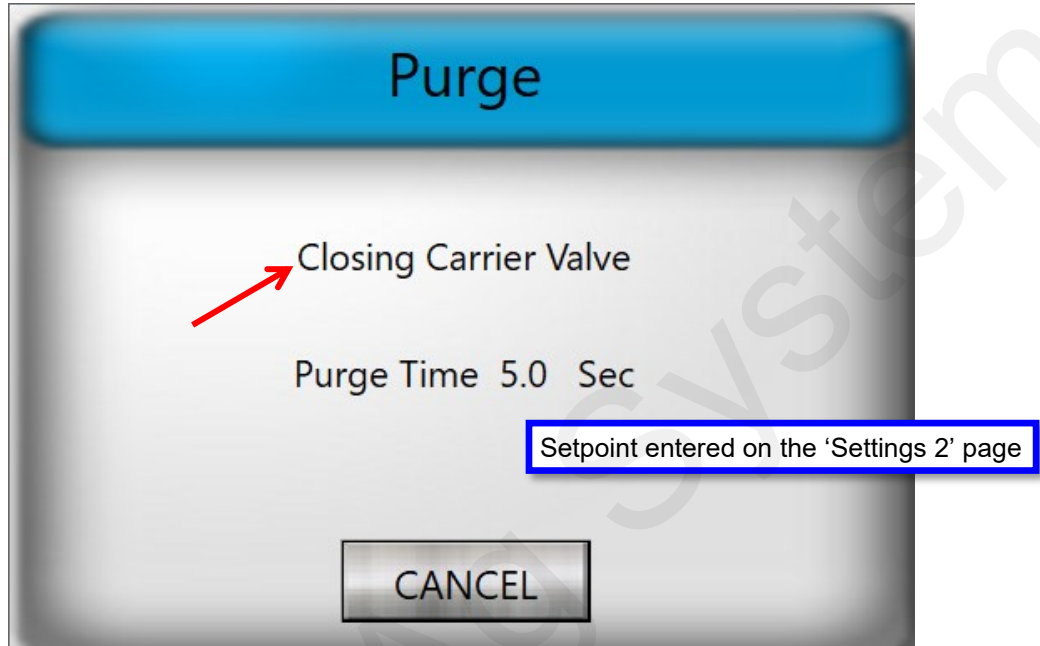
- The purge valve can be manually operated by going to the Manual Controls screen and pushing the Start Purge / Stop Purge button



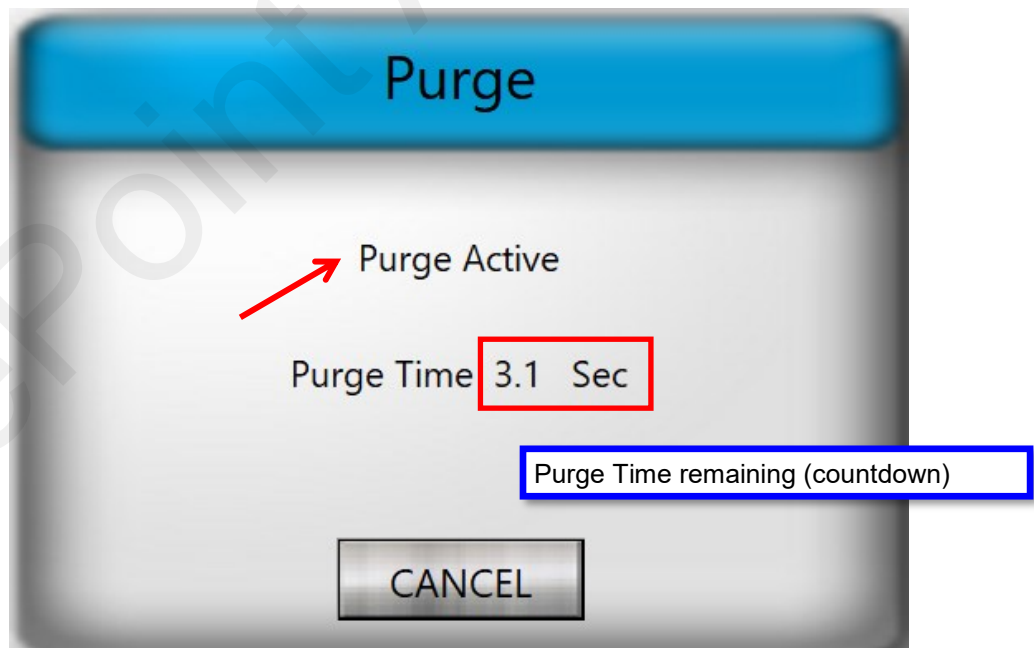


Air Purge Operation

If Purge is enabled, upon Batch completion the QuickDraw will close all the valves. This takes approximately 6 seconds. While the valves are closing, the indicator light on the top of the QuickDraw will flash and the following screen will be visible:



After the valves are closed, the purge valve will open. While the purge valve is open the indicator light on the top of the QuickDraw will be on (not flashing) and the following screen will be visible:



The Purge Time will count down, indicating how long the purge valve will remain open. When the purge cycle is complete, the indicator light on the top of the QuickDraw will turn off.