

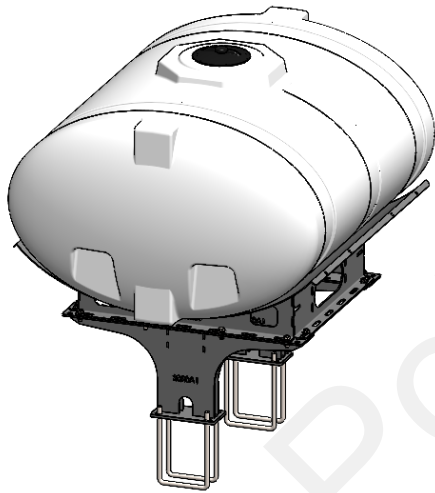


396-4864Y1

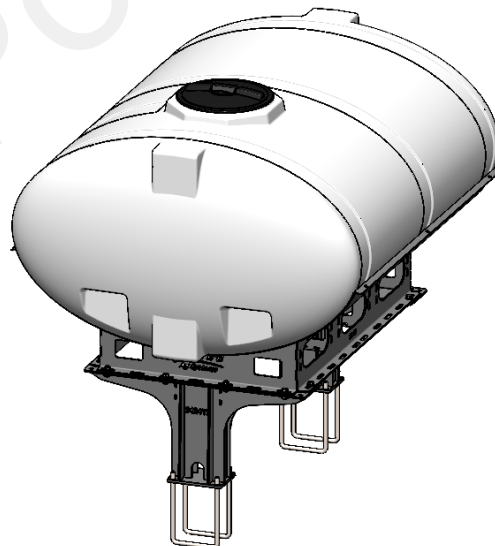
Kinze 4905 16R Hitch Mounted Tank Kit Mounting Instructions

Planter Manufacturer: **KINZE**

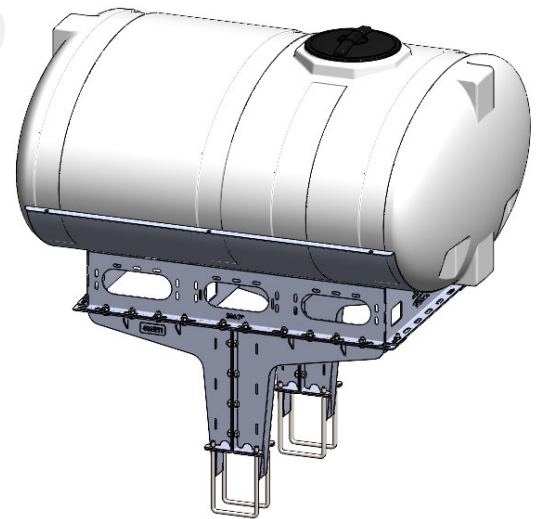
- Kit Number: 530-03-450140 (400 Gallon)
- Kit Number: 530-03-450150 (500 Gallon - No Markers)
- Kit Number: 530-03-450160 (600 Gallon - No Markers)
- Kit Number: 530-03-450165 (600 Gallon - Use with Markers)
- Kit Number: 530-03-450175 (750 Gallon - No Markers)
- Kit Number: 530-03-450180 (750 Gallon - Use with Markers)



400/500 Gal



600/750 Gal

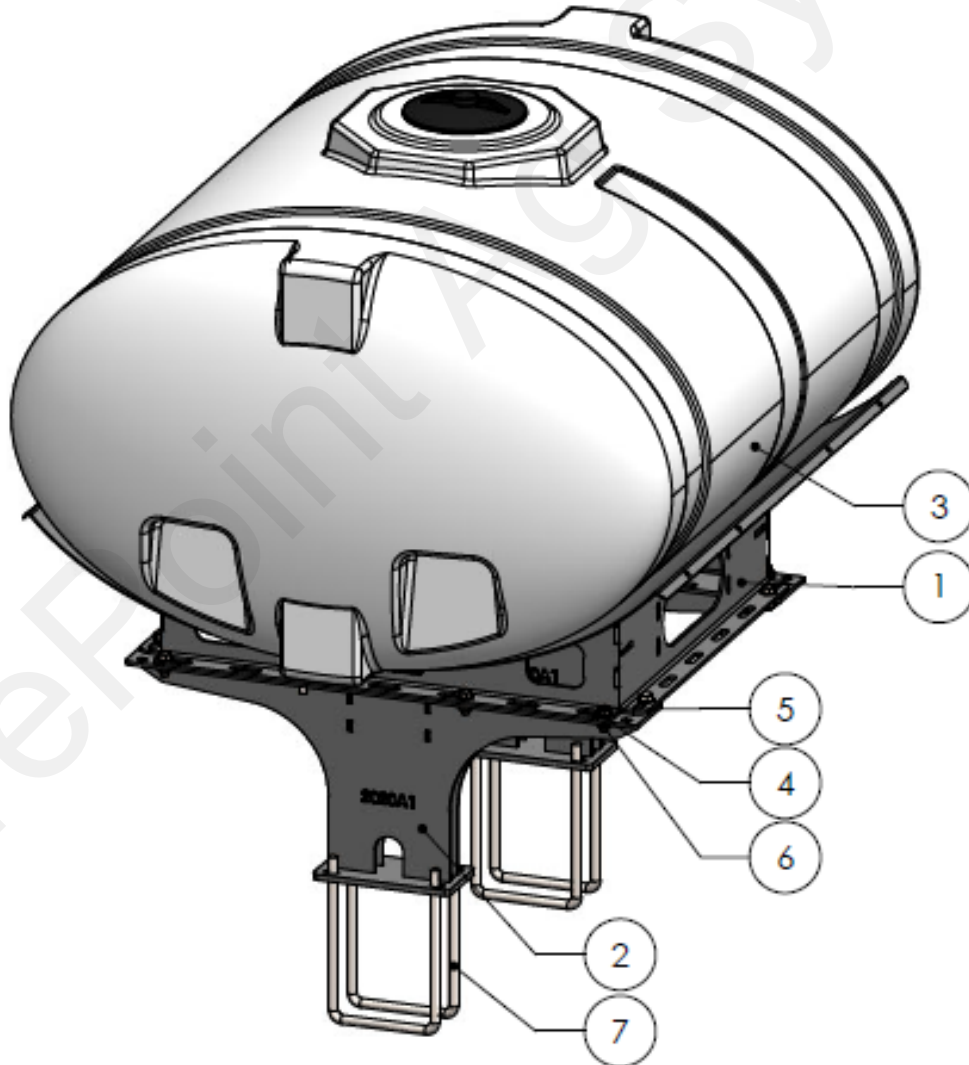


600/750 Gal With Markers



Parts List and Exploded View 530-03-450140

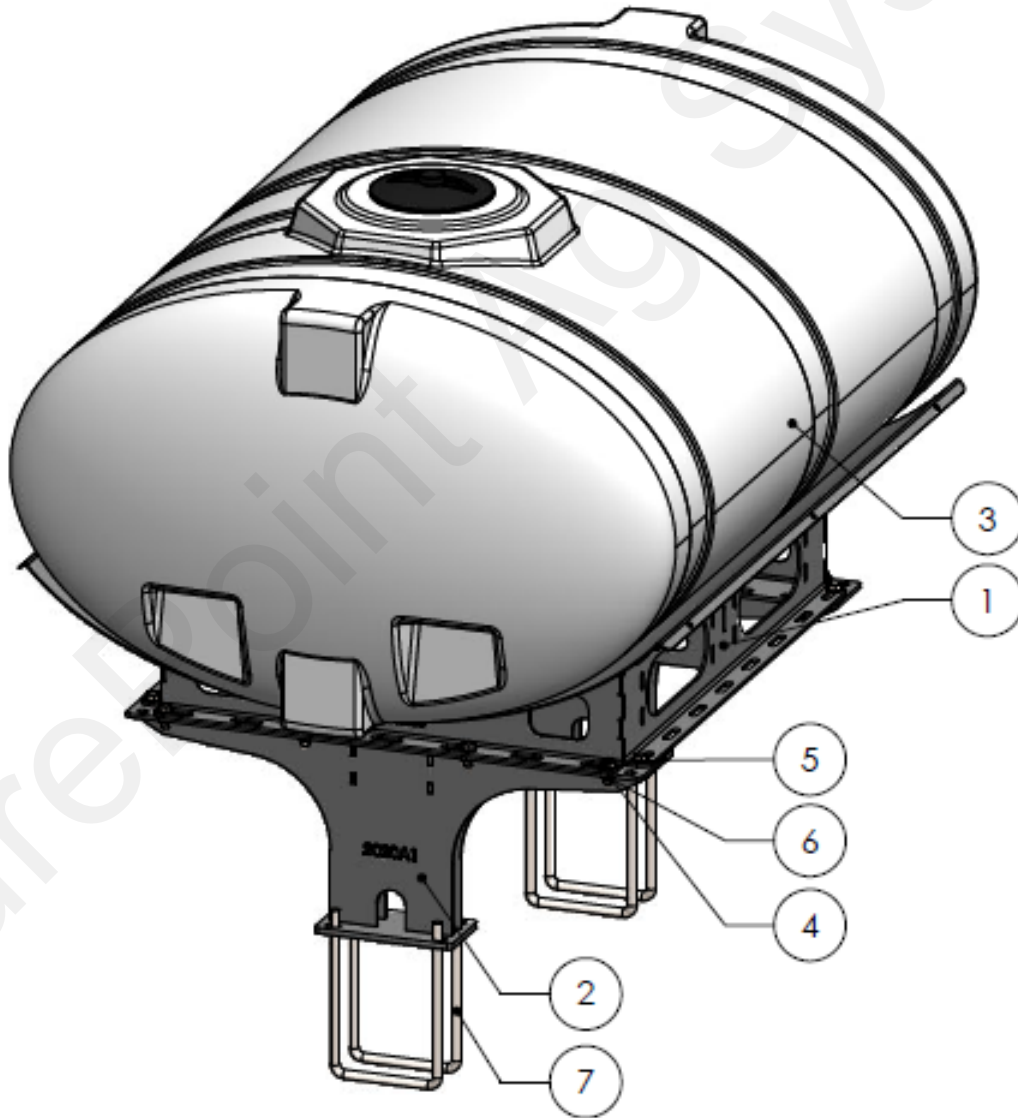
ITEM NO.	PART NUMBER	DESCRIPTION	QTY.
1	421-1333A2	Elliptical Cradle - 400 Gallon	1
2	421-2020A1	Cradle Support Stand - 400/500 Gallon	2
3	727-01-HE0400-57-W	Elliptical Tank - 400 Gal - White	1
4	330-10	5/8" Flat Washer	12
5	300-100108-5	5/8" x 1-1/2" Hex Head Bolt - G5	12
6	323-10	5/8" Flange Nut	12
7	380-1066	3/4" U-bolt Kit - fits 8" x 12" tube - (8" opening)	4
8	525-3000	3" Tank Strap Kit - 400/500 Gallon	2





Parts List and Exploded View 530-03-450150

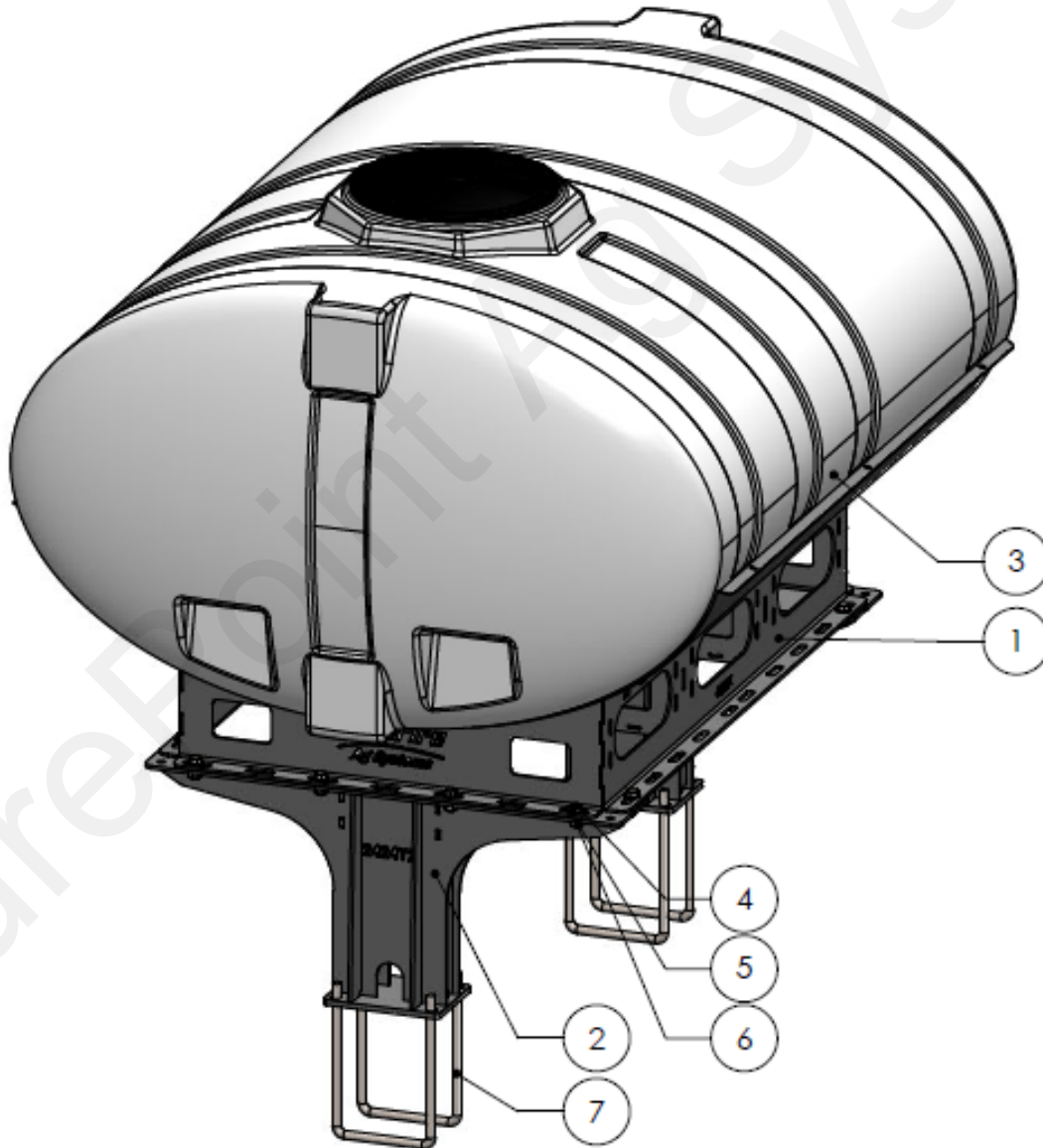
ITEM NO.	PART NUMBER	DESCRIPTION	QTY.
1	421-1329A2	Elliptical Cradle - 500 Gallon	1
2	421-2020A1	Cradle Support Stand - 400/500 Gallon	2
3	727-01-HE0500-57-OS-W	Elliptical Tank - 500 Gal - White	1
4	330-10	5/8" Flat Washer	12
5	300-100108-5	5/8" x 1-1/2" Hex Head Bolt - G5	12
6	323-10	5/8" Flange Nut	12
7	380-1066	3/4" U-bolt Kit - fits 8" x 12" tube - (8" opening)	4
8	525-3000	3" Tank Strap Kit - 400/500 Gallon	2





Parts List and Exploded View 530-03-450160

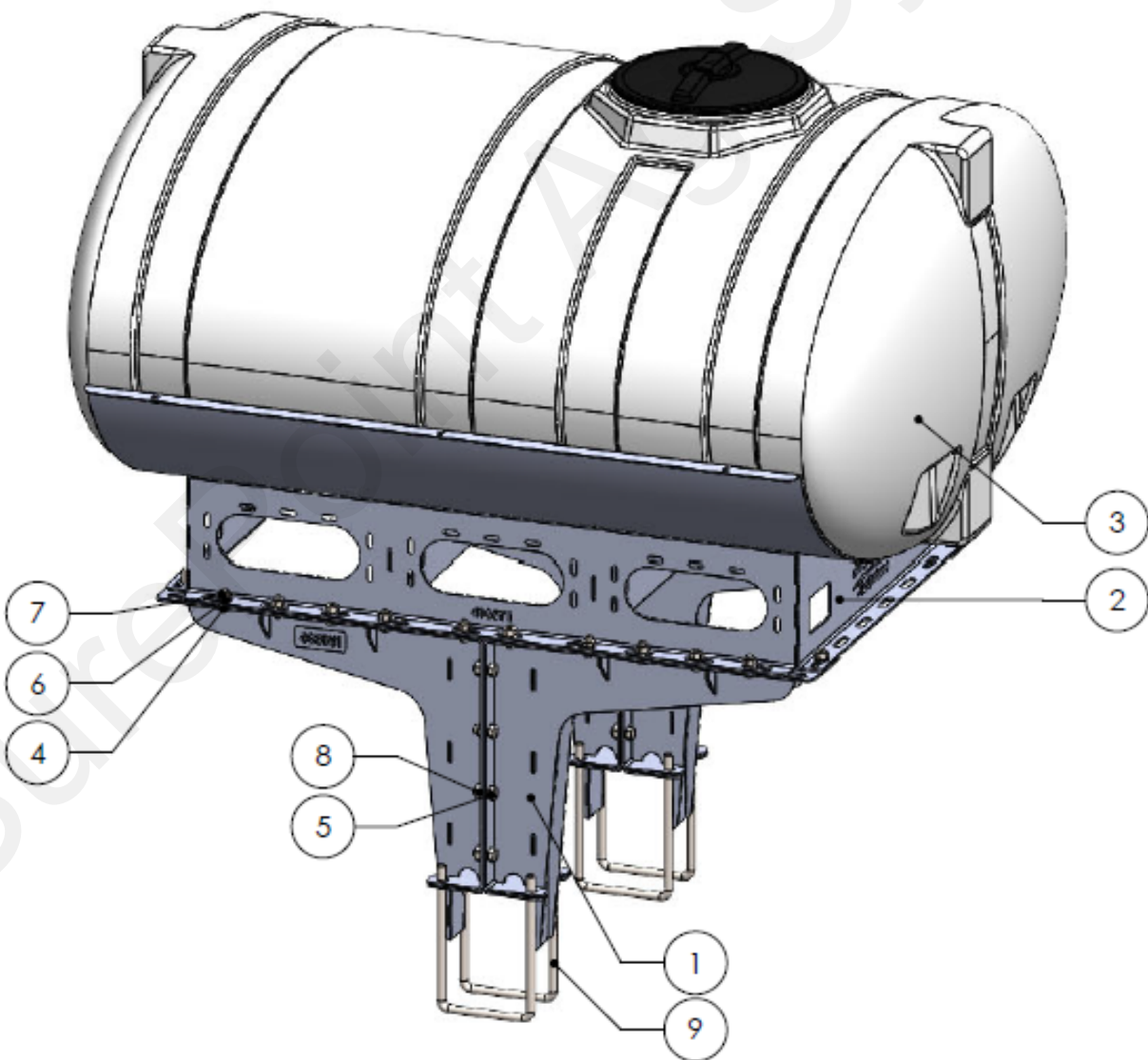
ITEM NO.	PART NUMBER	DESCRIPTION	QTY.
1	421-4105Y1	Elliptical Tank Cradle - 600 Gallon	1
2	421-2424Y2	600/750 Gallon Tank Pedestal	2
3	727-01-HE0600-64-CS-W	Elliptical Tank - 600 Gal - White	1
4	300-100108-5	5/8" x 1-1/2" HCS	12
5	323-10	5/8" Flange Nut	12
6	330-10	5/8" Flat Washer	12
7	380-1066	3/4" U-bolt Kit - fits 8" x 12" tube - (8" opening)	4
8	525-750	3" Tank Strap Kit	3





Parts List and Exploded View 530-03-450165

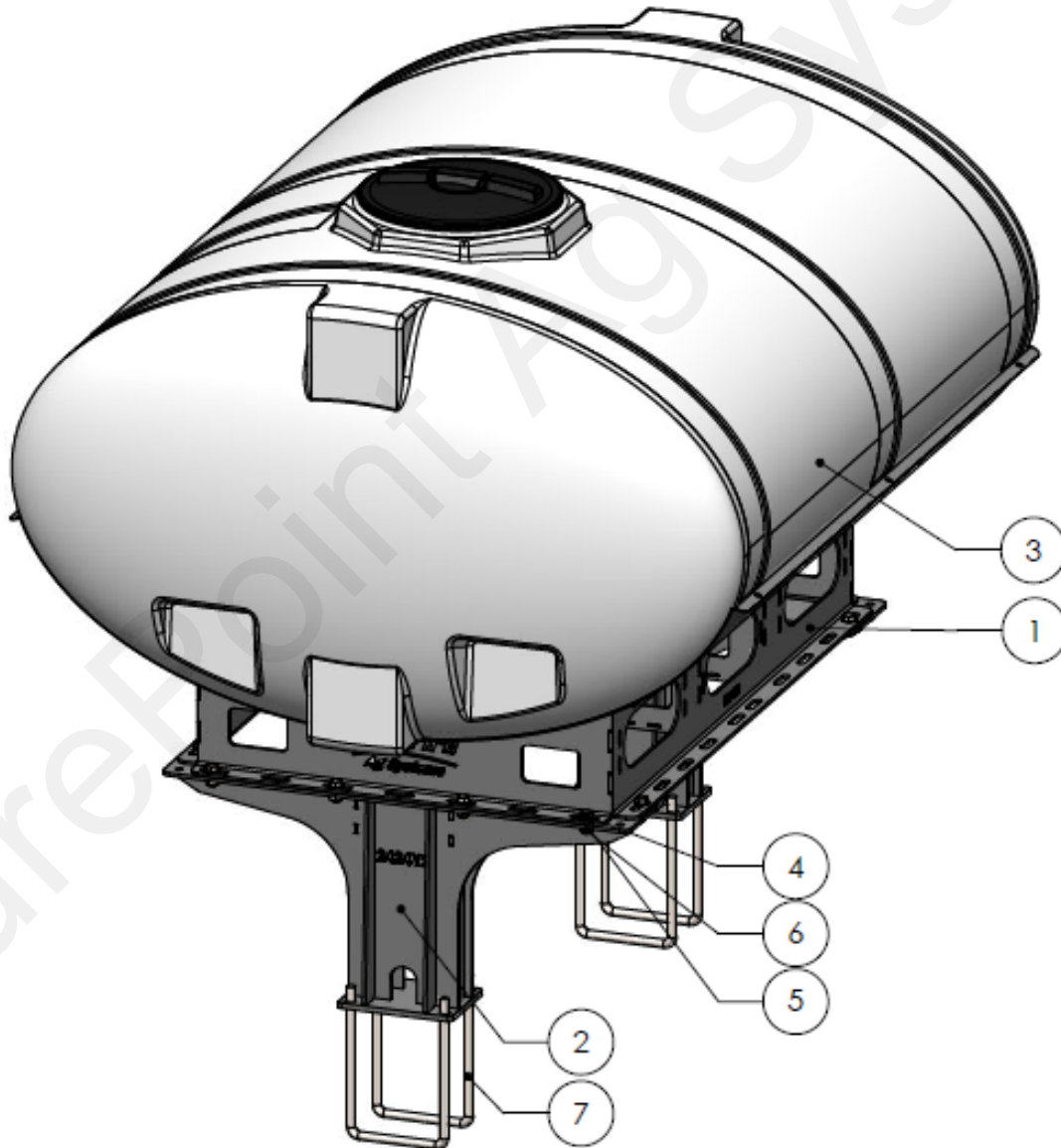
ITEM NO.	PART NUMBER	DESCRIPTION	QTY.
1	435-4835Y1	Kinze 4905 16R Hitch Tank Mount - Weldment	4
2	421-4105Y1	600 Gallon Elliptical Tank Cradle	1
3	727-01-HE0600-64-CS-W	600 Gallon Elliptical Tank - White	1
4	300-100108-5	5/8" x 1-1/2" Hex Head Bolt - G5	24
5	300-120108-5	3/4" x 1-1/2" Hex Head Bolt - G5	16
6	330-10	5/8" Flat Washer	24
7	323-10	5/8" Flange Nut	24
8	323-12	3/4" Flange Nut	16
9	380-1066	3/4" U-bolt Kit - fits 8" x 12" tube - (8" opening)	4
10	330-12	3/4" Flat Washer	16
11	525-750	3" Tank Strap Kit	3





Parts List and Exploded View 530-03-450175

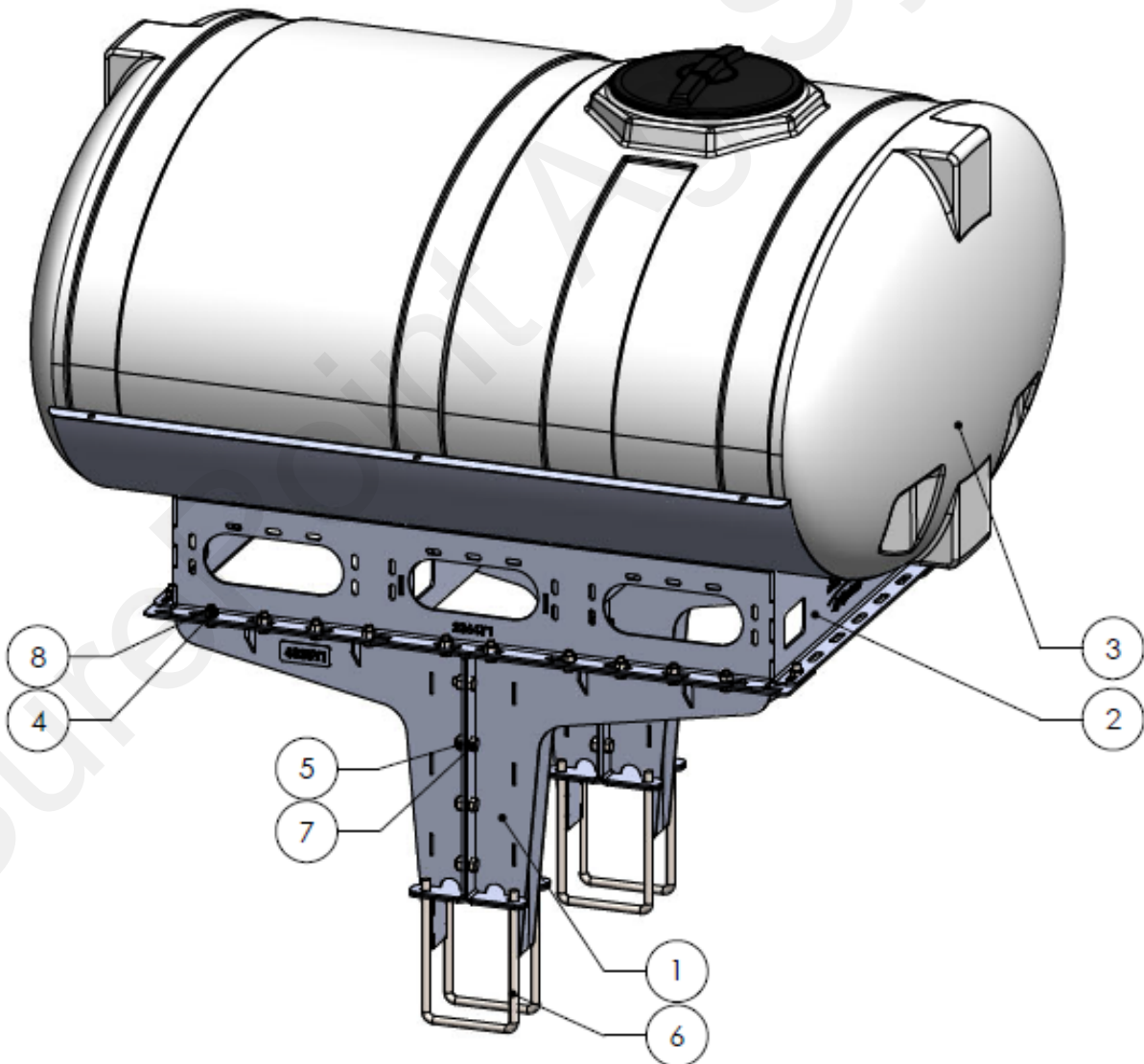
ITEM NO.	PART NUMBER	DESCRIPTION	QTY.
1	421-2364Y1	Elliptical Tank Cradle - 750 Gallon	1
2	421-2424Y2	1775NT - 750 Gallon Tank Stand	2
3	727-01-HE0750-69-OS-W	Elliptical Tank - 750 Gal - White	1
4	300-100108-5	5/8" x 1-1/2" HCS	24
5	330-10	5/8" Flat Washer	24
6	323-10	5/8" Flange Nut	24
7	380-1066	3/4" U-bolt Kit - fits 8" x 12" tube - (8" opening)	4
8	525-750	3" Tank Strap Kit	3





Parts List and Exploded View 530-03-450180

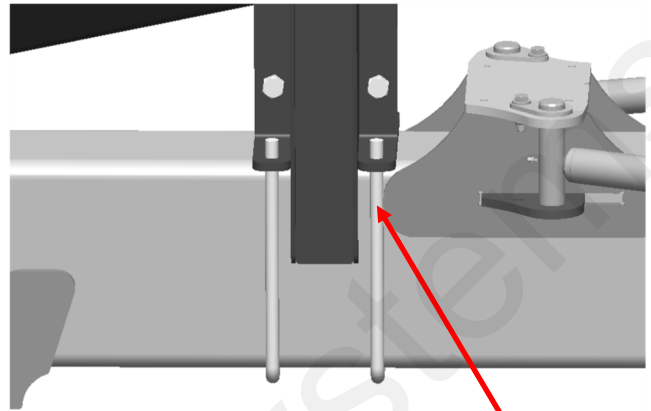
ITEM NO.	PART NUMBER	DESCRIPTION	QTY.
1	435-4835Y1	Kinze 4905 16R Hitch Tank Mount - Weldment	4
2	421-2364Y1	Elliptical Tank Cradle 750 Gallon	1
3	727-01-HE0750-69-CS-W	750 Gallon Elliptical Tank - White	1
4	323-10	5/8" Flange Nut	24
5	323-12	3/4" Flange Nut	16
6	380-1066	3/4" U-bolt Kit - fits 8" x 12" tube - (8" opening)	4
7	300-120108-5	3/4" x 1-1/2" Hex Head Bolt - G5	16
8	300-100108-5	5/8" x 1-1/2" Hex Head Bolt - G5	24
9	330-10	5/8" Flat Washer	24
10	330-12	3/4" Flat Washer	16
11	525-750	3" Tank Strap Kit	3



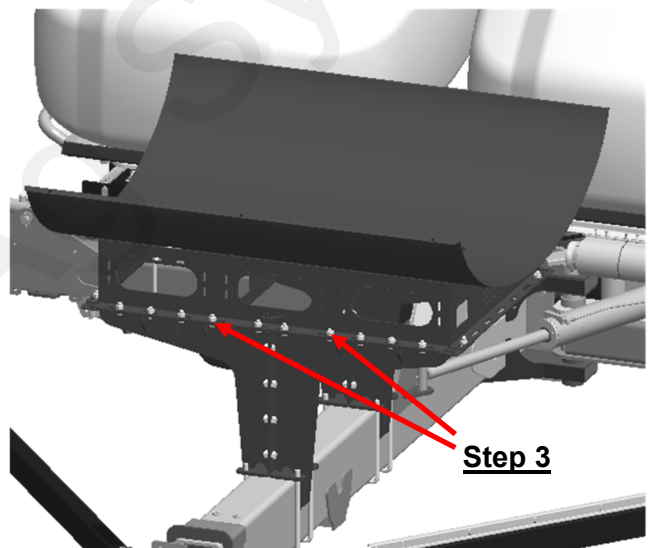


Step by Step Instructions

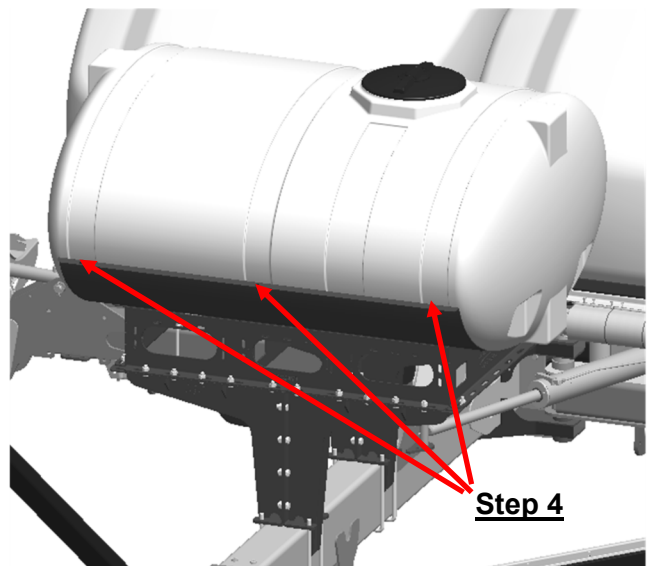
1. (For planter with markers) Loosely bolt the 435-4835Y1 pedestals together using the 3/4" x 1-1/2" bolts, nuts, and washers. Set assembled pedestals on the main hitch bar.
2. Loosely bolt the 3/4" U-Bolts on the pedestals and move rear pedestal toward the back of the planter until the rear U-Bolt touches the rear cylinder gusset. Loosely mount front bracket in front of the rear bracket to match your tank cradle profile.
3. Place the tank cradle on the pedestals and loosely bolt them together using the 5/8" bolts, washers, and nuts.
4. Place the tank in the cradle. Line the tank strap grooves up to the holes in the cradle. Use the tank strap kits to tighten the tank to the cradle.
5. (For planter with markers) Tighten down 3/4" bolts connecting the two pedestal halves, then tighten down 5/8" bolts on the cradle.
6. Make sure the tank and cradle have proper clearance from CCS tanks (should be approximately 1 - 2" of clearance). Tighten down U-Bolts and all other hardware. **If your planter has markers, be sure to note the best point of marker clearance on your cradle.** If you attempt to fold the planter with the hitch all the way down you will be in danger of hitting the side of the tank with your markers. Be sure to raise the hitch as much as possible before folding to prevent any contact with the tank.
7. Tighten tank straps after first filling.



Step 2



Step 3



Step 4

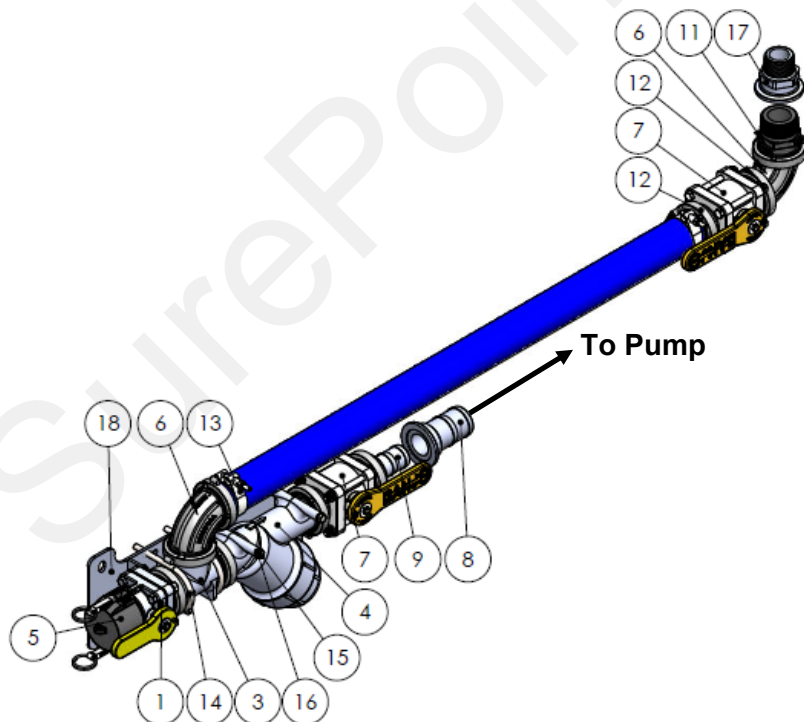


Kinze 4905 Fill Kit

Kit Number: 520-00-250500

Description: Kinze 4905 Hitch Tank 2" Fill/Discharge Kit

ITEM NO.	PART NUMBER	DESCRIPTION	QTY.
1	102-200VSFCF	200 Series Manifold x 2" Male Quick Coupler	1
2	105-150G-H	1-1/2" EPDM Gasket	9
3	105-200TEE	2" Flanged Tee Fitting	1
4	109-200MLS-20M	2" Manifold Y Strainer - 20 Mesh	1
5	106-200CAP	2" Cap	1
6	105-200SWP90	2" Manifold Sweep - 90 Degree	2
7	102-200MVCF	2" Manifold Ball Valve	2
8	105-200BRB	2" Manifold x 2" HB	3
9	105-200150BRB	2" Manifold X 1-1/2" Barb	1
10	280-200-ENF	2" Enforcer Fertilizer Solution Hose (ft)	20
11	105-200MPT	2" Manifold x 2" MPT	1
12	105-FC200	2" Manifold Clamp	9
13	350-TC231	T-Bolt Hose Clamp - 2" Enforcer	2
14	302-UB222	M220 U-Bolt Assembly - 2 U-Bolt Kits	1
15	300-050508-5	5/16" x 5-1/2" Hex Head Bolt - G5	2
16	330-05	5/16" Flat Washer	2
17	105-200150MPT	2" Manifold X 1-1/2" Male	1
18	435-4974Y1	Kinze 4905 Bulk Fill Stair Fill Kit Mounting Bracket	1
19	350-TC181	T-Bolt Hose Clamp - 1-1/2" Enforcer	2
20	300-060100-5	3/8" x 1" Hex Head Bolt - G5	2
21	323-05	5/16" Flange Nut	2
22	323-06	3/8" Flange Nut	2
23	400-4583Y1-BK	Fertilizer Hose Support Bracket	2
24	105-200150BRB45	2" Manifold x 1-1/2" HB - 45 Degree	1
25	105-200BRB45	2" Manifold x 2" HB - 45 Degree	1



1. Mount the 435-4974Y1 bracket to the holes provided in the stairs using the 3/8" x 1" bolts and nuts.
2. Assemble the fill/discharge kit as shown below. Thread the correct size pipe threaded manifold into the bottom tank bung. Use the provided plug to plug the second bung.
3. Route the 2" enforcer hose from the fill port to the plumbing assembly under the tank. Make sure to keep the hose away from row units and any moving parts.

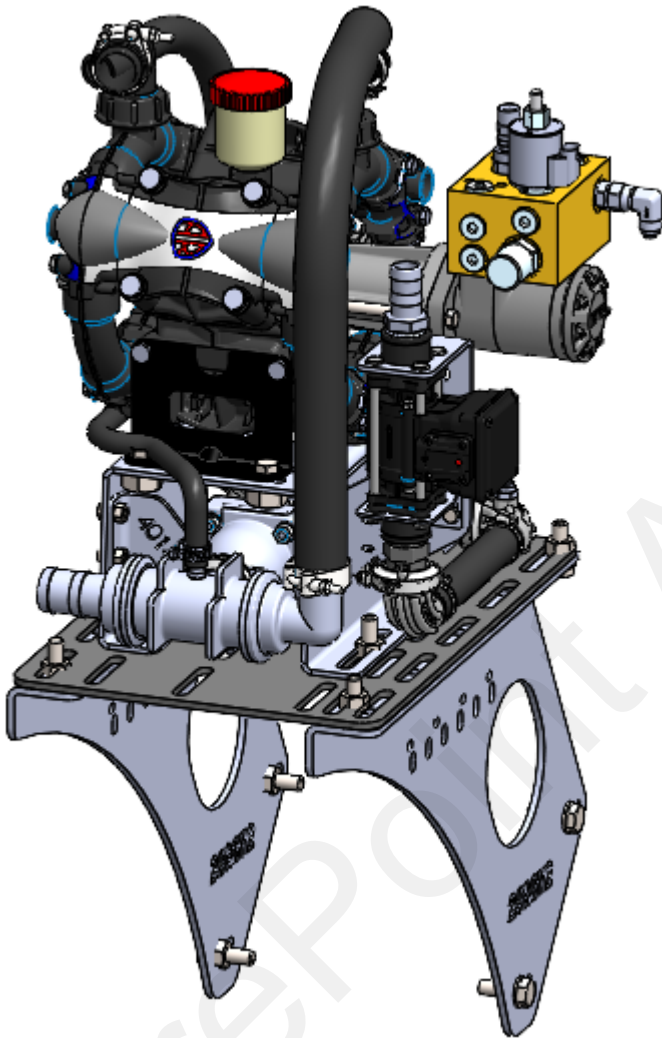


Over the Tire Pump Mounting Kit

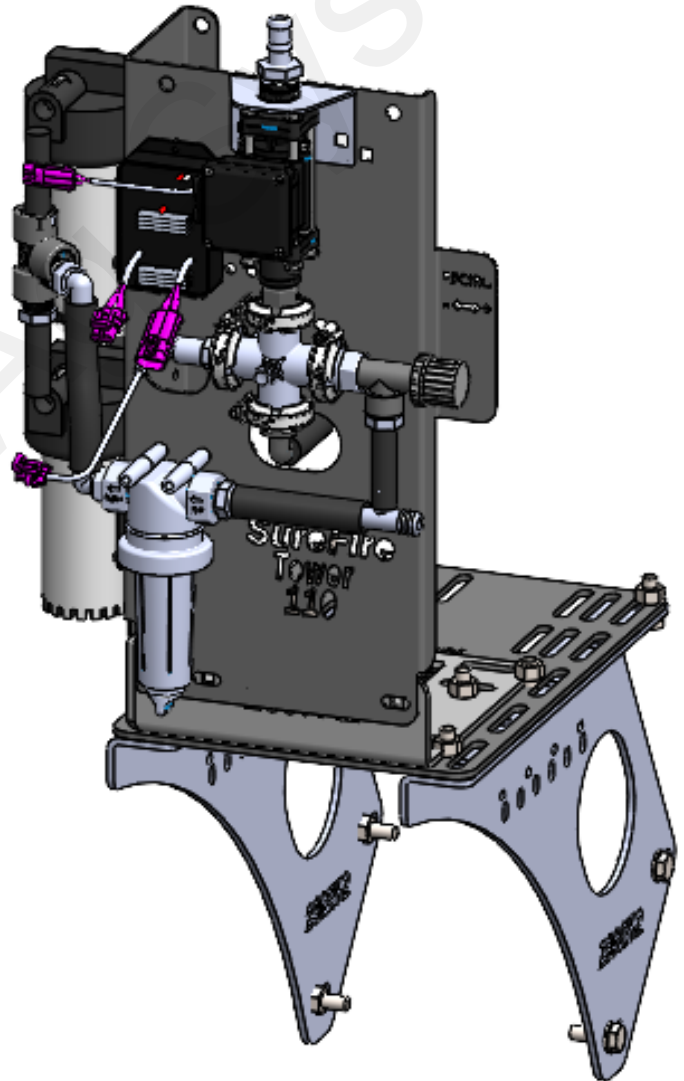
Kit Number: 515-03-201300

Description: Kinze 4905 12R/16R Over the Tire Pump Mounting Kit

Instruction Sheet: 396-2937Y1



PumpRight



Tower