



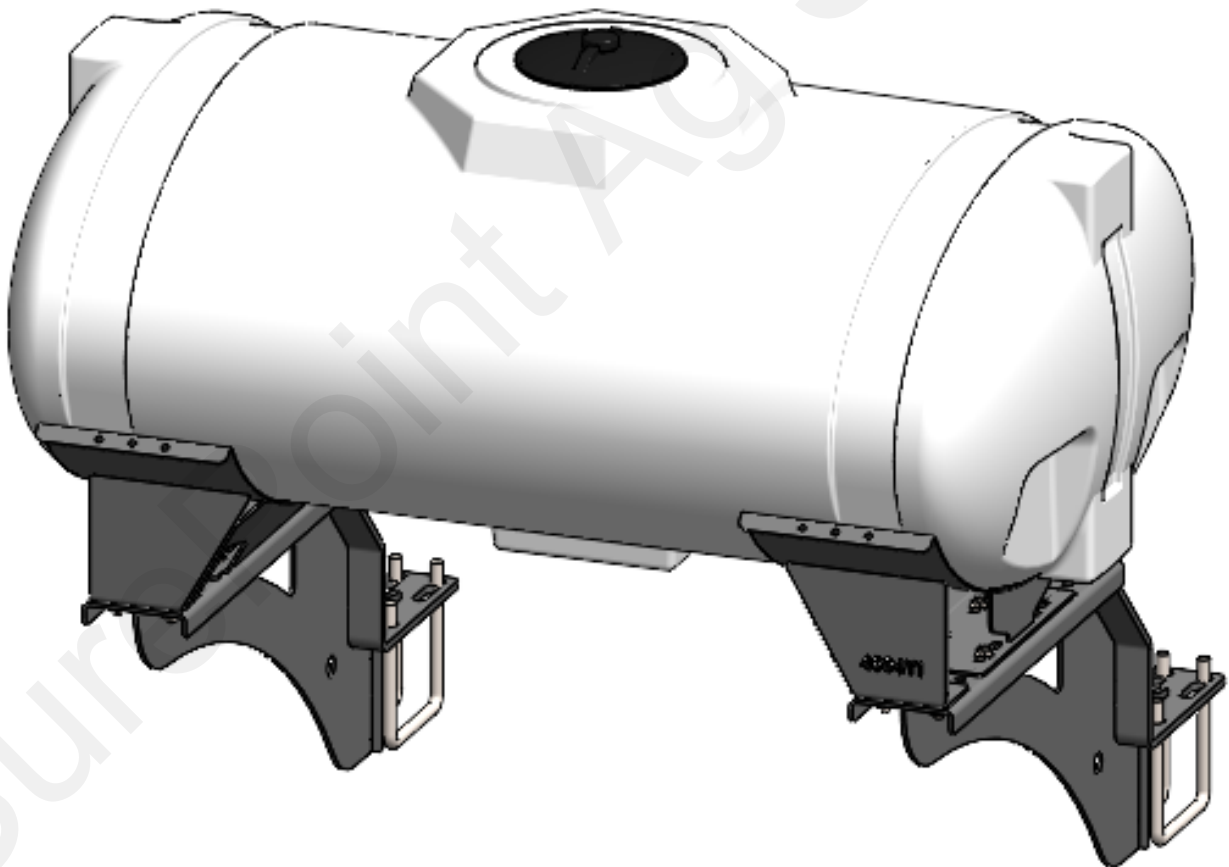
396-4698Y1

Kinze 4705 Wing Mount Tank Kit Mounting Instructions

Planter Manufacturer: **KINZE**

Kit Number: 530-03-400050

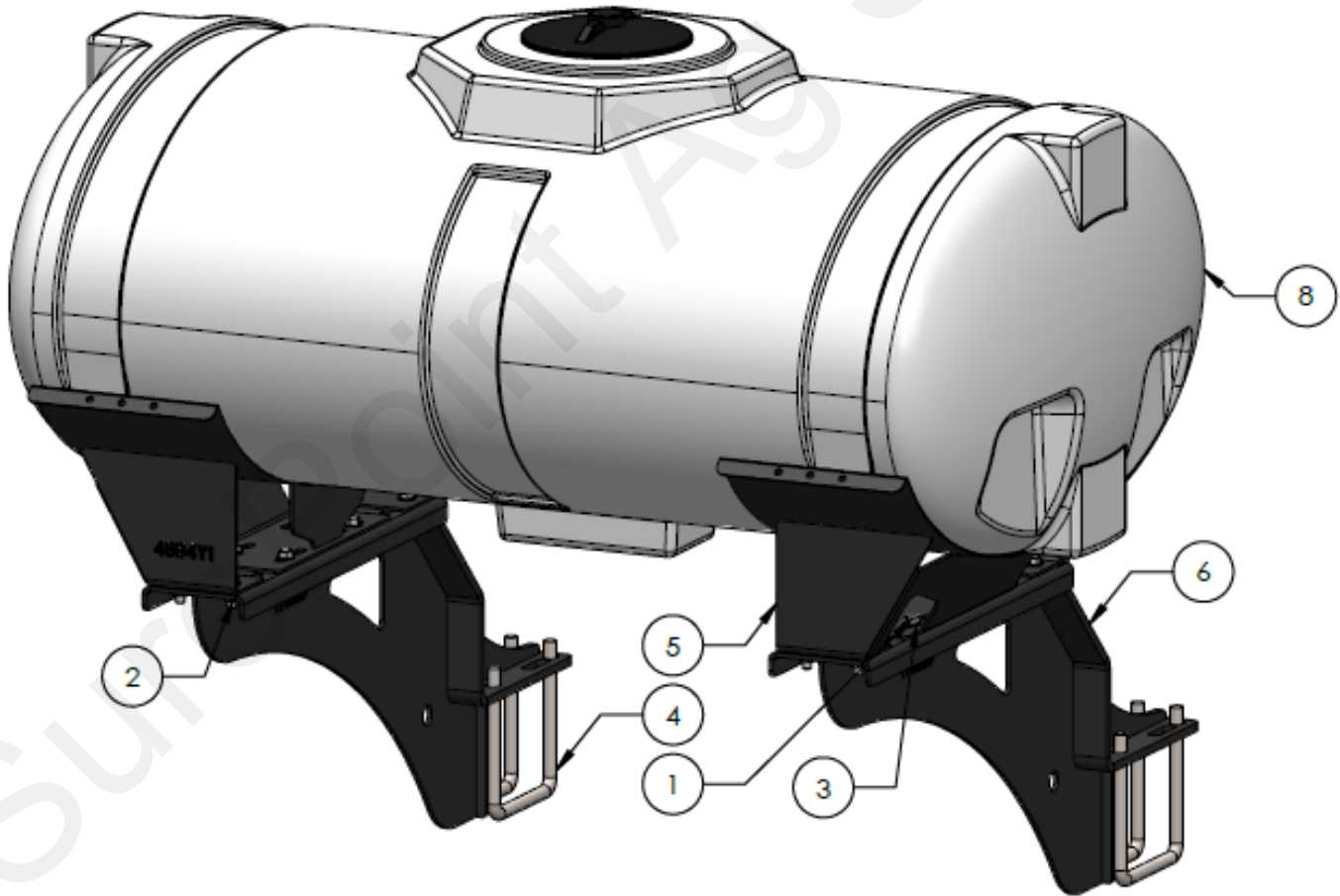
Description: Kinze 4705 Bulk Fill Wing Mount Tank Kit





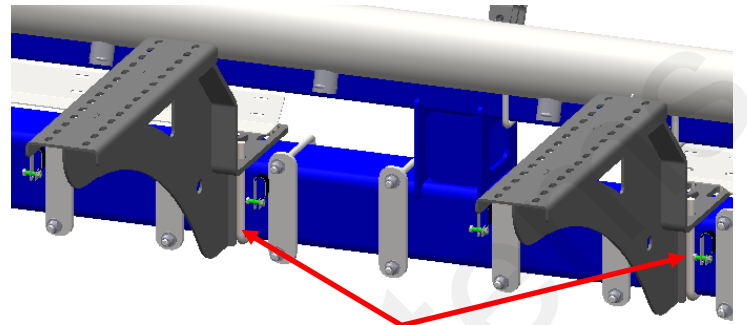
Parts List and Exploded View 530-03-400050

ITEM NO.	PART NUMBER	DESCRIPTION	QTY.
1	300-080108-5	1/2" x 1-1/2" Hex Head Bolt - G5	16
2	323-08	1/2" Flange Nut	16
3	330-08	1/2" Flat Washer	16
4	380-1060	3/4" U-bolt Kit - fits 7" x 7" tube - (7" opening)	4
5	420-4694Y1	200 Gallon Tank Saddle	2
6	420-4966Y1	Kinze 16R Wing Mount Tank Bracket	2
7	525-2055	2" Strap Kit for Tanks under 300 Gallons	2
8	727-01-HE0200-41-W	Elliptical Tank - 200 Gal - White	1
9	396-4698Y1	Kinze 24Row Wing Tank Instruction Manual	1
10	521-00-100290	Tank Overflow Assembly Bag for Two Tanks (Wing Tanks)	1
11	280-075-AG200	3/4" AG200 Bulk	20

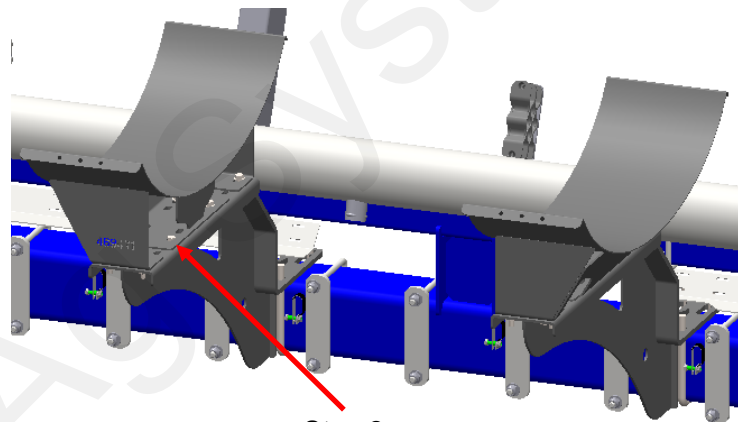


Step by Step Instructions

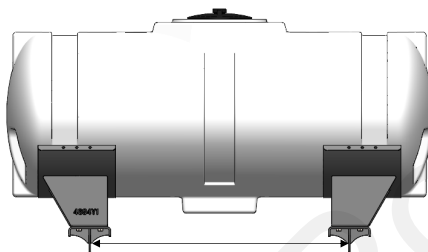
1. Place the 4966Y1 pedestals on the main wing bar. Using the provided U-Bolts, loosely bolt the pedestals to the bar. For 36R20 configuration, you will need to place these pedestals between rows 5&6 and 7&8 (match the location on the opposite side). For 24R30 configuration, pedestals are located between rows 4&5 and 6&7. Reference dimensioned configurations below to find what works best for your application.
2. Place the 4964Y1 saddles on top of the pedestals. Using the 1/2" hardware, loosely bolt the saddles to the pedestals. Note the configuration of the saddles as it is critical for your tank to line up with your saddles.
3. Place the tank in the saddles. Line the tank strap grooves with the hole pattern in the saddles. Use the tank strap kits to fasten the tank down to the saddles.
4. Tighten the 1/2" hardware on the saddle, followed by the U-Bolts.
5. Tighten the tank straps after first filling.



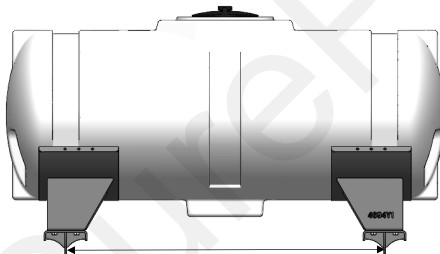
Step 1



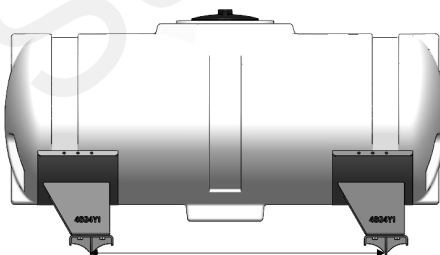
Step 2



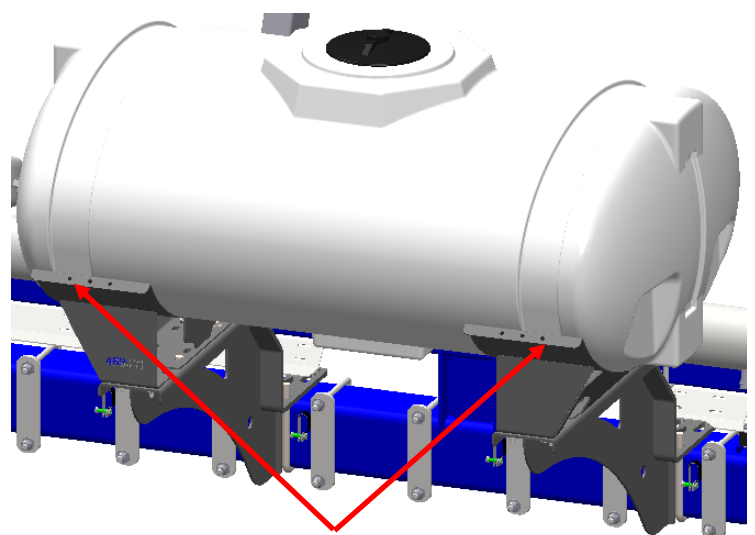
Saddle Configuration # 1



Saddle Configuration # 2



Saddle Configuration # 3



Step 3

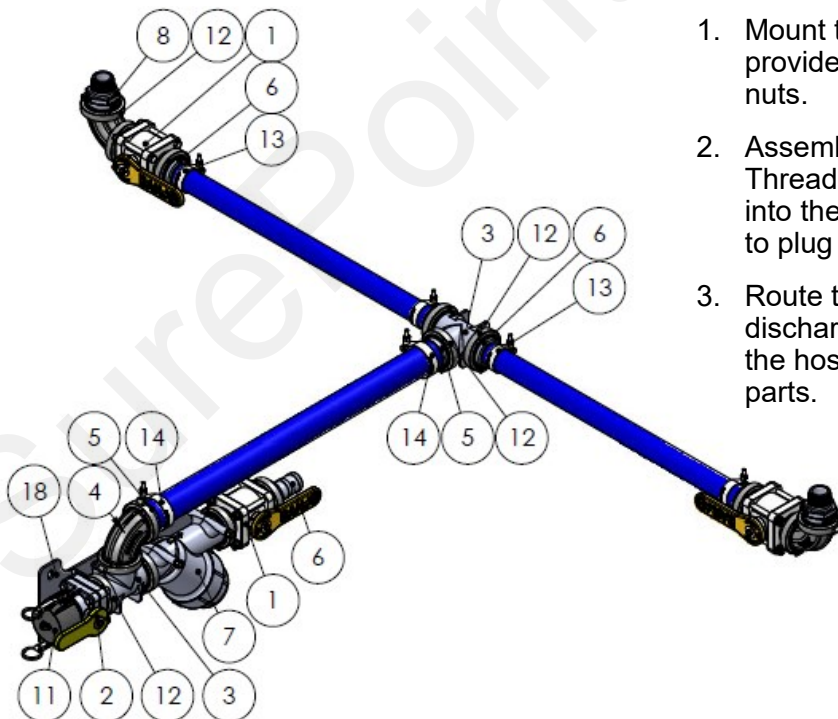


Fill/Discharge Kit

Kit Number: 520-00-250400

Description: Kinze 4705/4905 Wing Tank Fill/Discharge Kit

ITEM NO.	PART NUMBER	DESCRIPTION	QTY.
1	102-200MVCF	2" Manifold Ball Valve	3
2	102-200VSFCF	200 Series Manifold x 2" Male Quick Coupler Std Port Valve	1
3	105-200TEE	2" Flanged Tee Fitting	2
4	105-200SWP90	2" Manifold Sweep - 90 Degree	3
5	105-200BRB	2" Manifold x 2" HB	3
6	105-200150BRB	2" Manifold X 1-1/2" Barb	5
7	109-200MLS-20M	2" Manifold Y Strainer - 20 Mesh	1
8	105-200125MPT	2" Manifold x 1-1/4" MPT	2
9	280-200-ENF	2" Enforcer Fertilizer Solution Hose (ft)	10
10	280-150-ENF	1-1/2" Enforcer Fertilizer Solution Hose (ft)	60
11	106-200CAP	2" Cap	1
12	105-FC200	2" Manifold Clamp	15
13	350-TC181	T-Bolt Hose Clamp - fits 1-1/2" Enforcer	4
14	350-TC231	T-Bolt Hose Clamp - fits 2" Enforcer	2
15	330-05	5/16" Flat Washer	2
16	300-050508-5	5/16" x 5-1/2" Hex Head Bolt - G5	2
17	323-05-SS	5/16" Flange Nut SS	2
18	435-4974Y1	Kinze 4905 Bulk Fill Stair Fill Kit Mounting Bracket	1
19	105-150G-H	1-1/2" Gasket for 200 Manifold Fittings	15
20	100-125PLUG	1-1/4" Plug	2
21	300-050508-5	5/16" x 5-1/2" Hex Head Bolt - G5	2
22	323-05	5/16" Flange Nut	2
23	330-05	5/16" Flat Washer	2



1. Mount the 435-4974Y1 bracket to the holes provided in the stairs using the 3/8" x 1" bolts and nuts.
2. Assemble the fill/discharge kit as shown below. Thread the correct size pipe threaded manifold into the bottom tank bung. Use the provided plug to plug the second bung.
3. Route the 2" enforcer hose from the fill port to the discharge kit under the tank. Make sure to keep the hose away from row units and any moving parts.



Pump Mounting

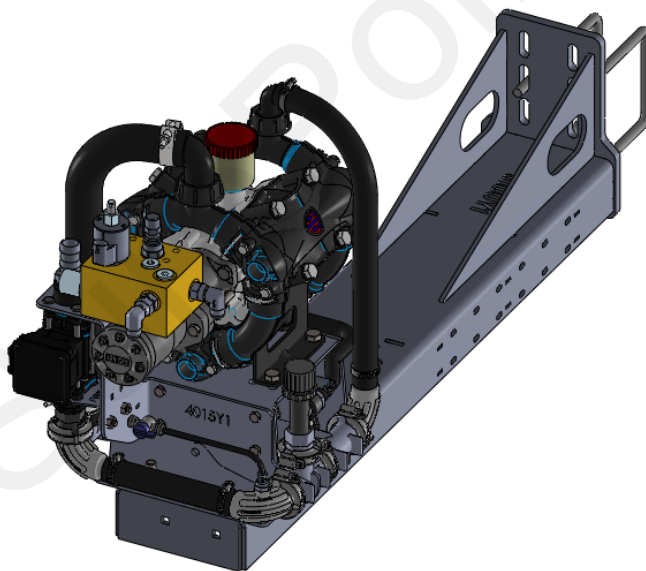
Kit Number: 515-03-201350

Description: Kinze 4705 Rear Pump Mounting Kit

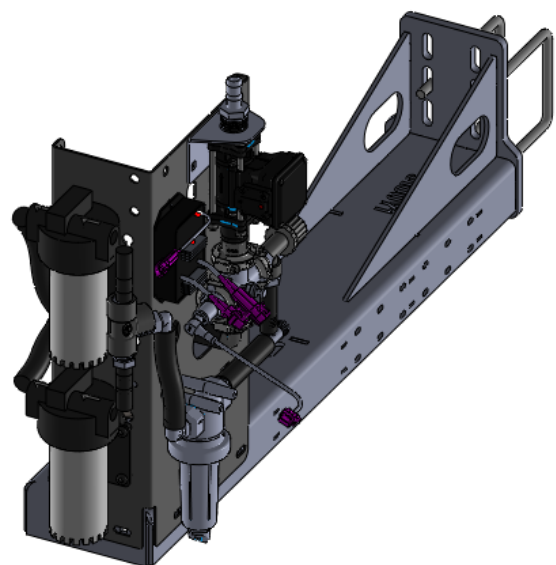
PART NO	DESCRIPTION	QTY
400-5100Y1-BK	Bar Mounted Pump Mounting Bracket	1
330-08	1/2" Flat Washer	4
300-080108-5	1/2" x 1-1/2" Hex Head Bolt—G5	4
323-08	1/2" Flange Nut	4
380-1014	1/2" U-Bolt Kit - fits 5" x 7" tube	2

1. Mount the 5100Y1 bracket to the rear of the planter (shown to the right) using the provided U-Bolts. You may have to loosen and lower the flasher bracket on the wing of the planter to prevent obstruction.
2. Once the bracket is in place, tighten the U-Bolts.
3. Place the pump on the 5100Y1 bracket and loosely bolt the pump onto the bracket. Once you have the pump placed in the configuration shown below, tighten the mounting hardware.

Step 1



PumpRight



Tower