



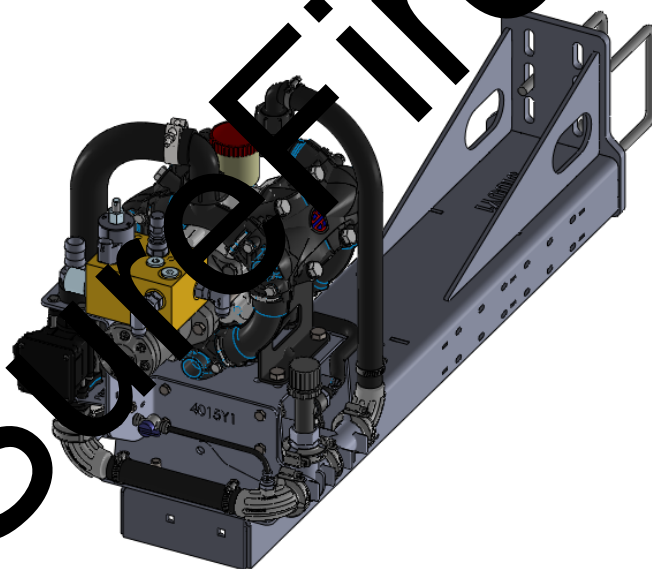
Pump Mounting

Kit Number: 515-201350

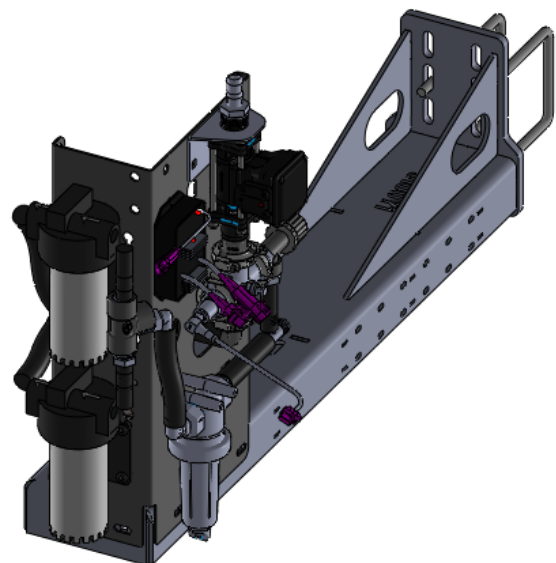
Description: Kinze 4705 Rear Pump Mounting Kit

PART NO	DESCRIPTION	QTY
400-5100Y1-BK	Bar Mounted Pump Mounting Bracket	1
330-08	1/2" Flat Washer	4
300-080108-5	1/2" x 1-1/2" Hex Head Bolt—G5	4
323-08	1/2" Flange Nut	4
380-1014	1/2" U-Bolt Kit - fits 5" x 7" tube	2

1. Mount the 5100Y1 bracket to the rear of the planter (shown to the right) using the provided U-Bolts. You may have to loosen and lower the flasher bracket on the wing of the planter to prevent obstruction.
2. Once the bracket is in place, tighten the U-Bolts.
3. Place the pump on the 5100Y1 bracket and loosely bolt the pump onto the bracket. Once you have the pump placed in the configuration shown below, tighten the mounting hardware.



PumpRight



Tower