



# 396-4670Y1

## Case IH Magnum Front Weight Tank Mount Bracket Instructions

Implement Manufacturer: **CASE IH**  
AGRICULTURE

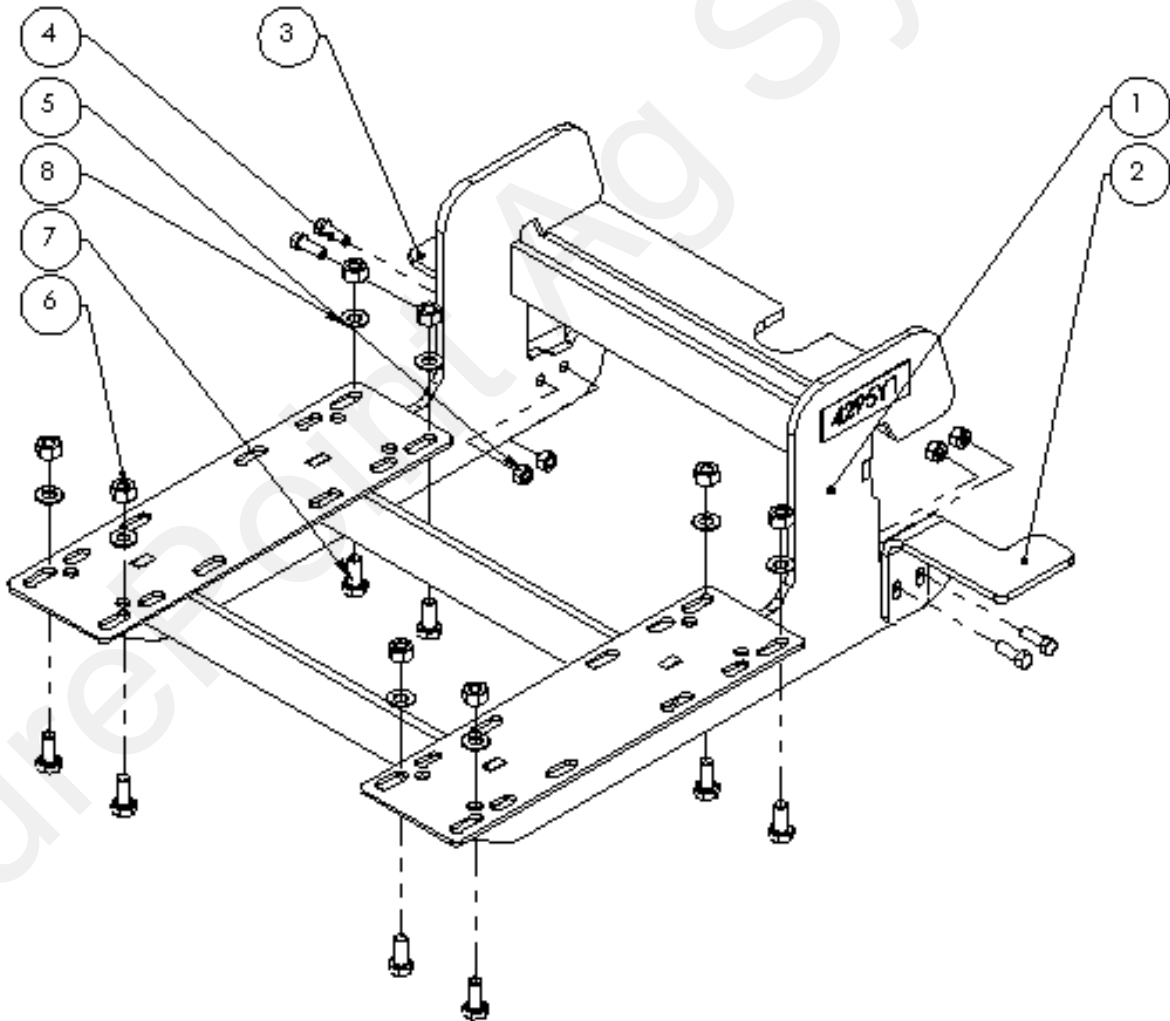
Kit Number: 749-01-100200





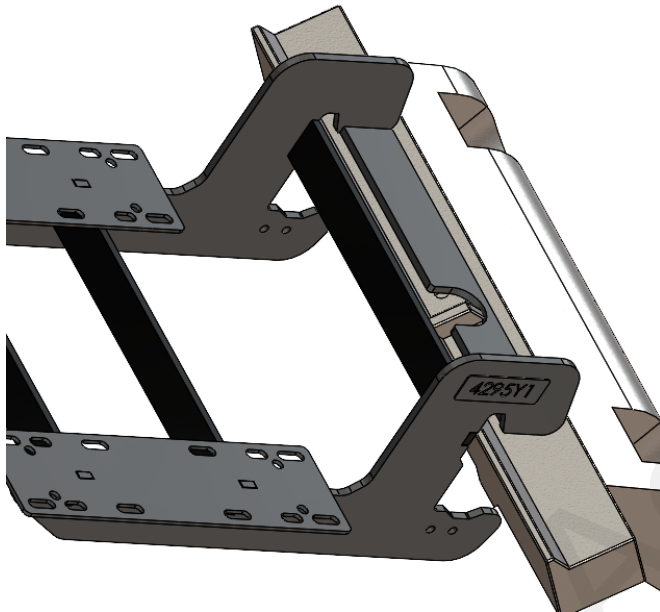
# Parts List and Exploded View

ITEM NO.	PART NUMBER	DESCRIPTION	QTY.
1	425-4295Y1	Case Magnum Tank Mount Weldment	1
2	425-4297Y1	Case Magnum Tank Mount Pinch Plate Left	1
3	425-4298Y1	Case Magnum Tank Mount Pinch Plate Right	1
4	300-080108-5	1/2" x 1-1/2" Hex Head Bolt	4
5	323-08	1/2" Flange Nut	4
6	323-10	5/8" Flange Nut	8
7	300-100108-5	5/8" x 1-1/2" Hex Head Bolt	8
8	330-10	5/8" Flat Washer	8



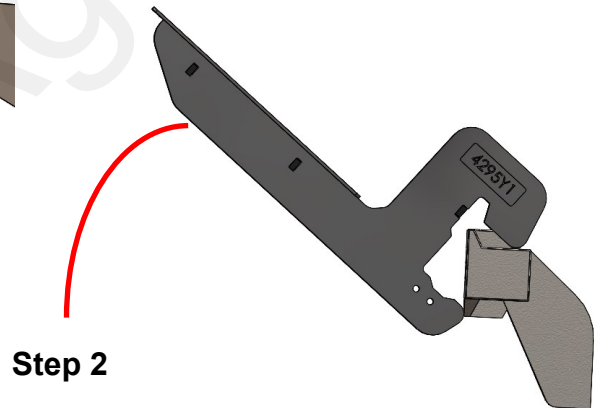
# Step by Step Instructions

1. Remove all front tractor weights. Remove mounting bolts and slide or lift weights off.



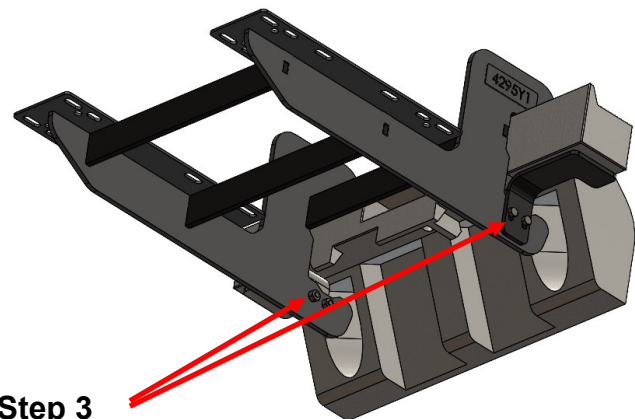
Step 1

2. Set the 425-4295Y1-BK weldment on the front weight mount bar. This is best achieved by tipping the front, aligning to the cent post until the top of the bracket falls behind the lip and then lowering the front of the bracket.



Step 2

3. Use the 425-4297Y1 and 425-4298Y1 pinch plates to tighten the mounting bracket to the weight bar. Fasten using the 1/2" x 1-1/2" hex head bolts and 1/2" nuts. The tank mounting bracket should be securely fastened so that there is no movement.



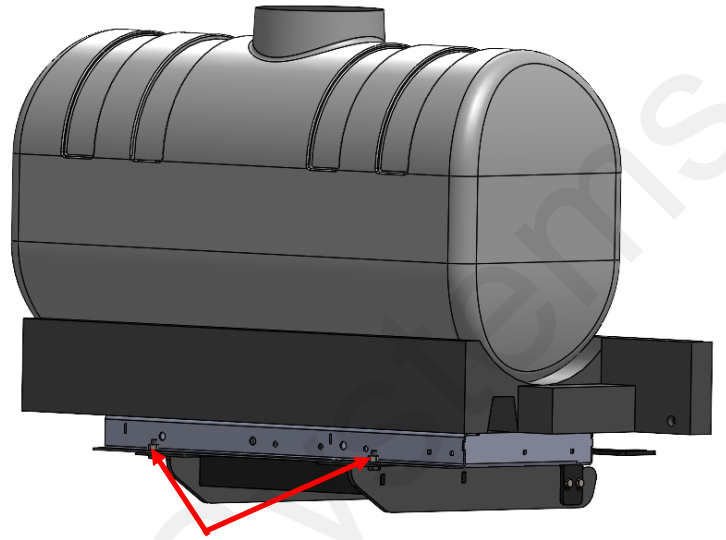
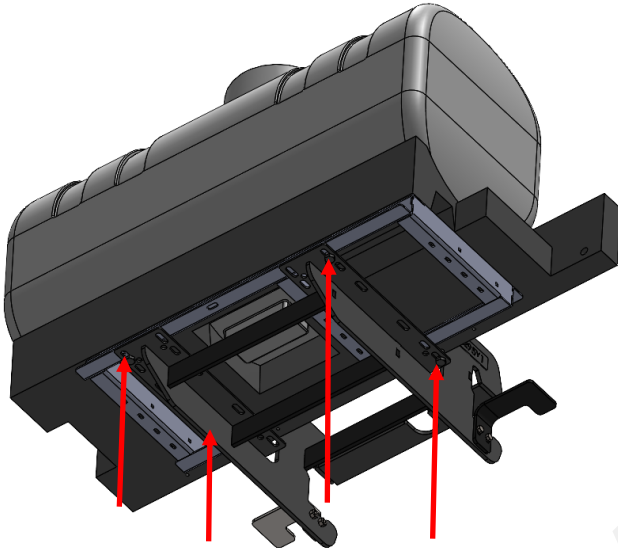
Step 3





# SurePoint Accelerator Mounting

1. Mount the pre-assembled Accelerator Tank Skid to the Front Weight Bracket using the provided 5/8" hex head bolts, washers and flange nuts.



## Compatible Models:

**Kit Number: 524-01-005550**

*55 Gallon Accelerator Top Fill Tank & Basin Kit with Jet Agitator*

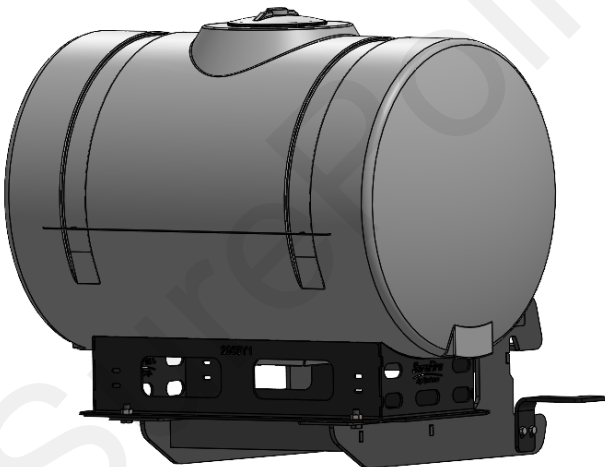
**Kit Number: 524-01-011050**

*110 Gallon Accelerator Top Fill Tank & Basin Kit with Jet Agitator*

**Kit Number: 524-01-015550**

*155 Gallon Accelerator Top Fill Tank & Basin Kit with Jet Agitator*

# SurePoint Tank and Cradle Mounting Instructions



## Compatible Kit Numbers:

**530-00-100100**

*Universal 150 Gal Tank Kit - 32" dia Tank, Black Cradle, Straps  
Mount a SurePoint Tower system using kit 526-01-200300*

**530-00-100200**

*Universal 200 Gal Tank Kit - 38" dia Tank, Black Cradle, Straps  
Mount a SurePoint Tower system using kit 526-01-200350*

**524-02-425055-W**

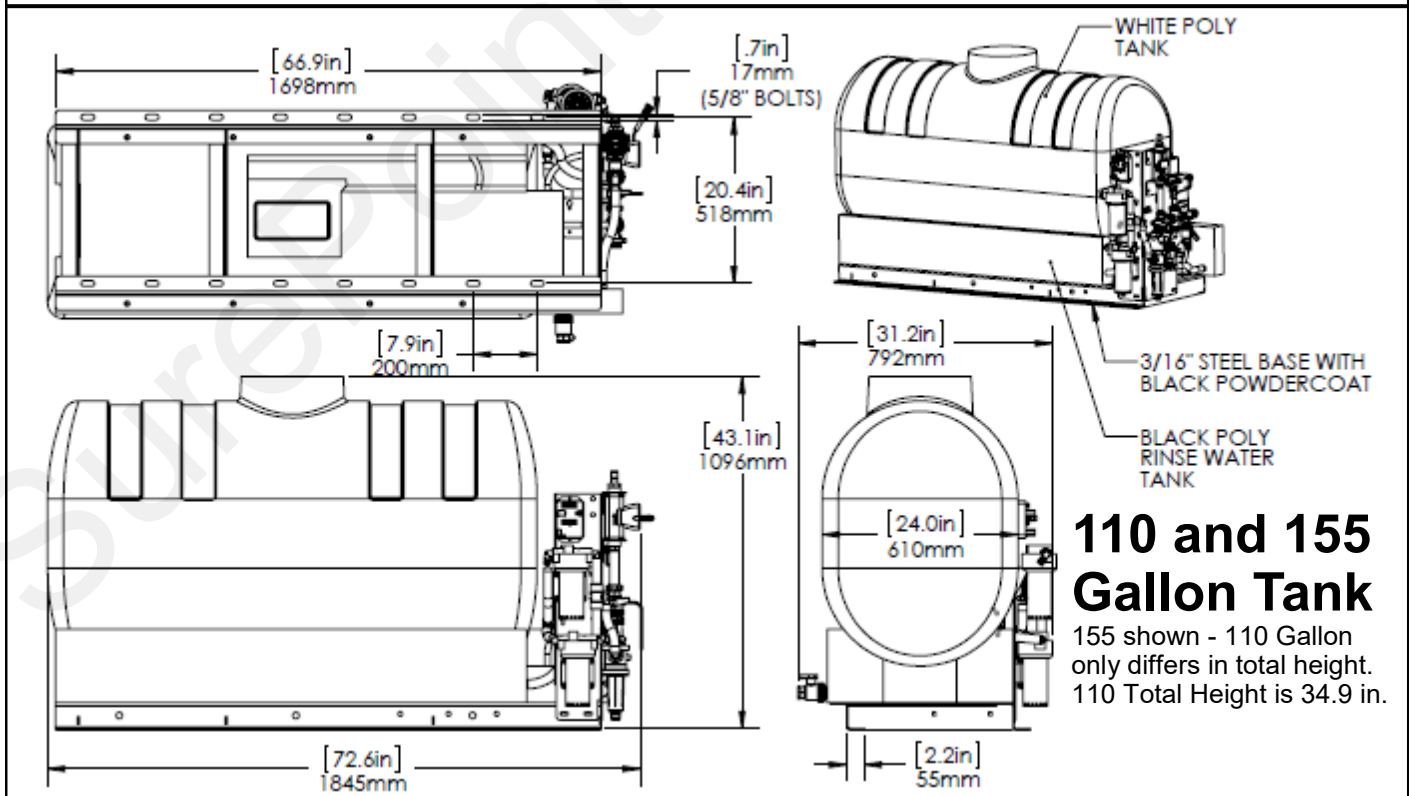
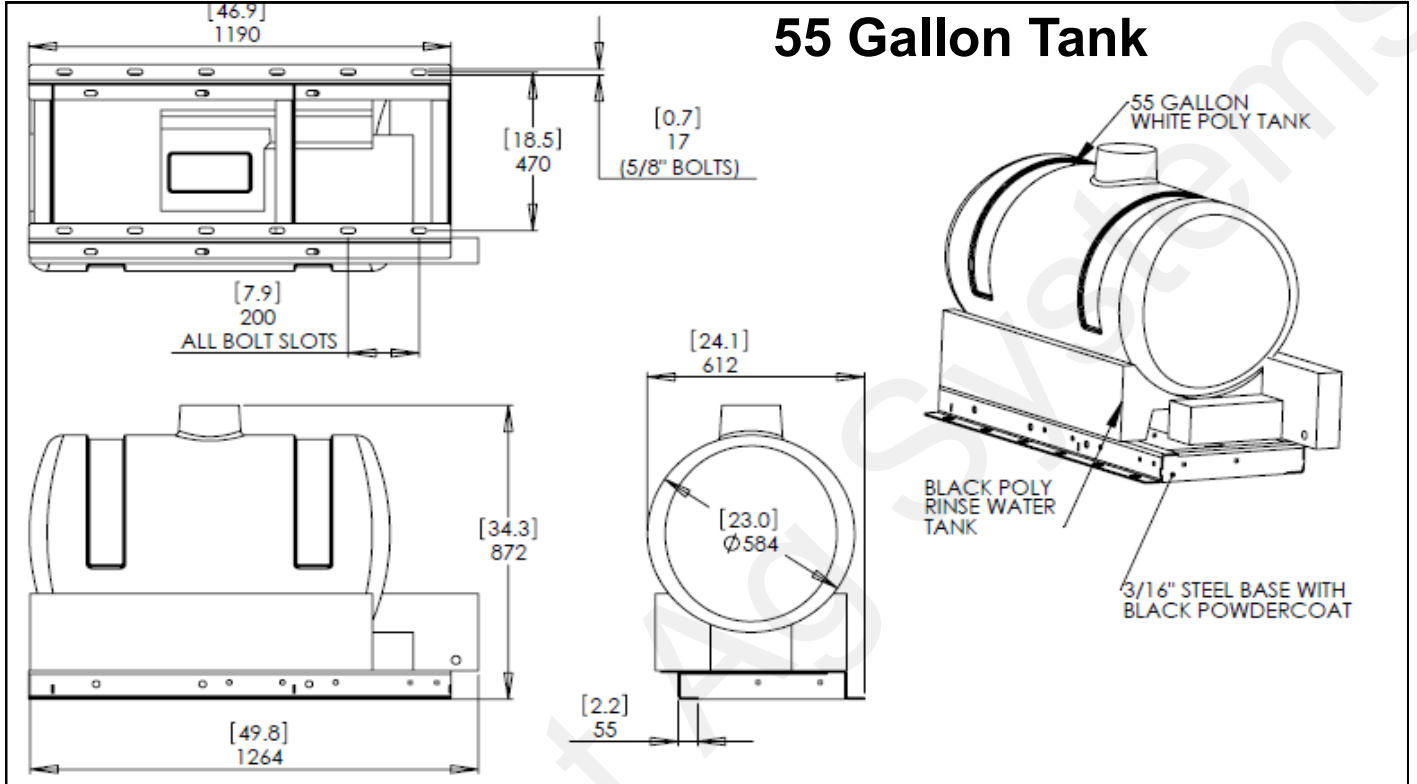
*55 Gallon White Tower 100 Tank Assembly*

**524-02-425110-W**

*110 Gallon White Tower 100 Tank Assembly*

## 2,200 Lb Max Weight Capacity

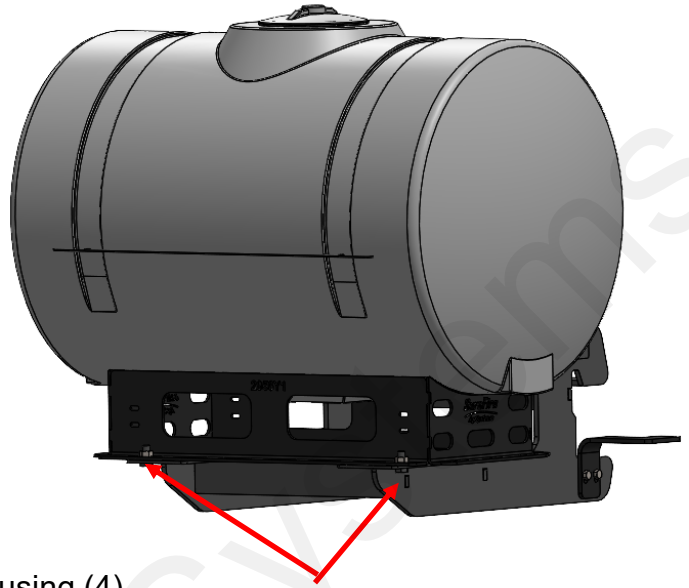
# General Dimensions SurePoint Accelerator Tanks





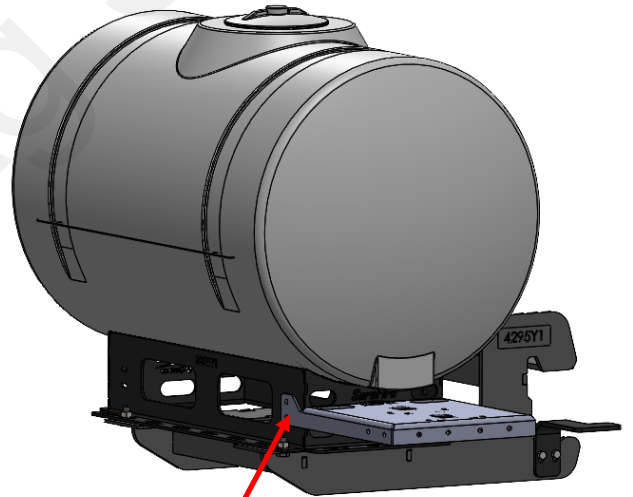
# SurePoint Tank/Cradle Mounting

1. Mount the pre-assembled 150 or 200 Gallon Tank/Cradle to the Front Weight Bracket using the provided 5/8" hex head bolts, washers and flange nuts.



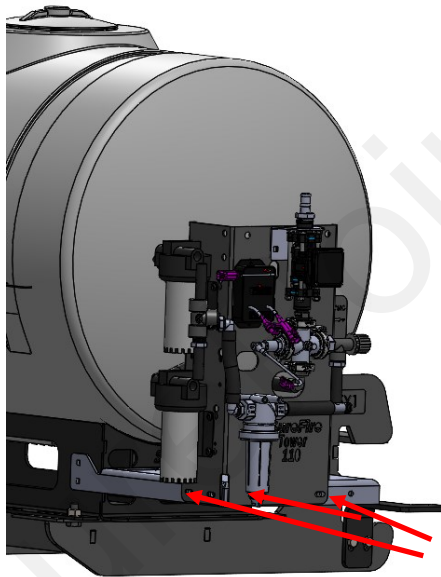
Step 1

2. Mount the tower mounting bracket to the cradle using (4) provided 3/8" carriage bolts and flange nuts.



Step 2

3. Mount the tower to the mounting bracket using (4) provided 3/8" carriage bolts and flange nuts.



Step 3

## 526-01-200300

Tower to Cradle Mounting Bracket Kit - Black (for 55, 110 or 150 Gallon Cradle)

## 526-01-200350

Tower to Cradle Mounting Bracket Kit - Black (for 200 Gallon Cradle)

## 2,200 Lb Max Weight Capacity