

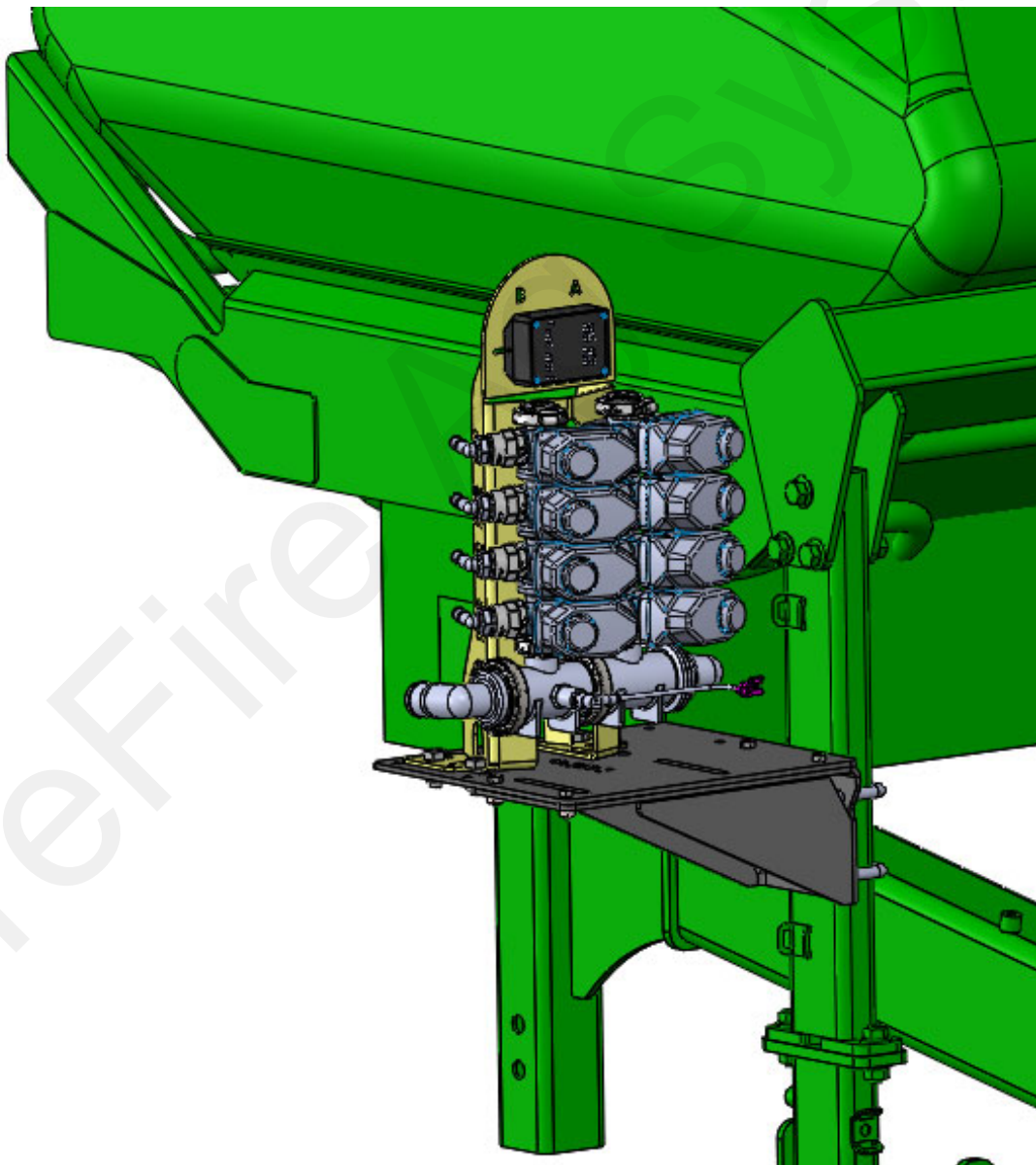


396-4440Y1

John Deere 1725C Planter LiquiShift Mount Bracket Installation Instructions

John Deere: 1725C Planter

Kit Number: 515-03-200610

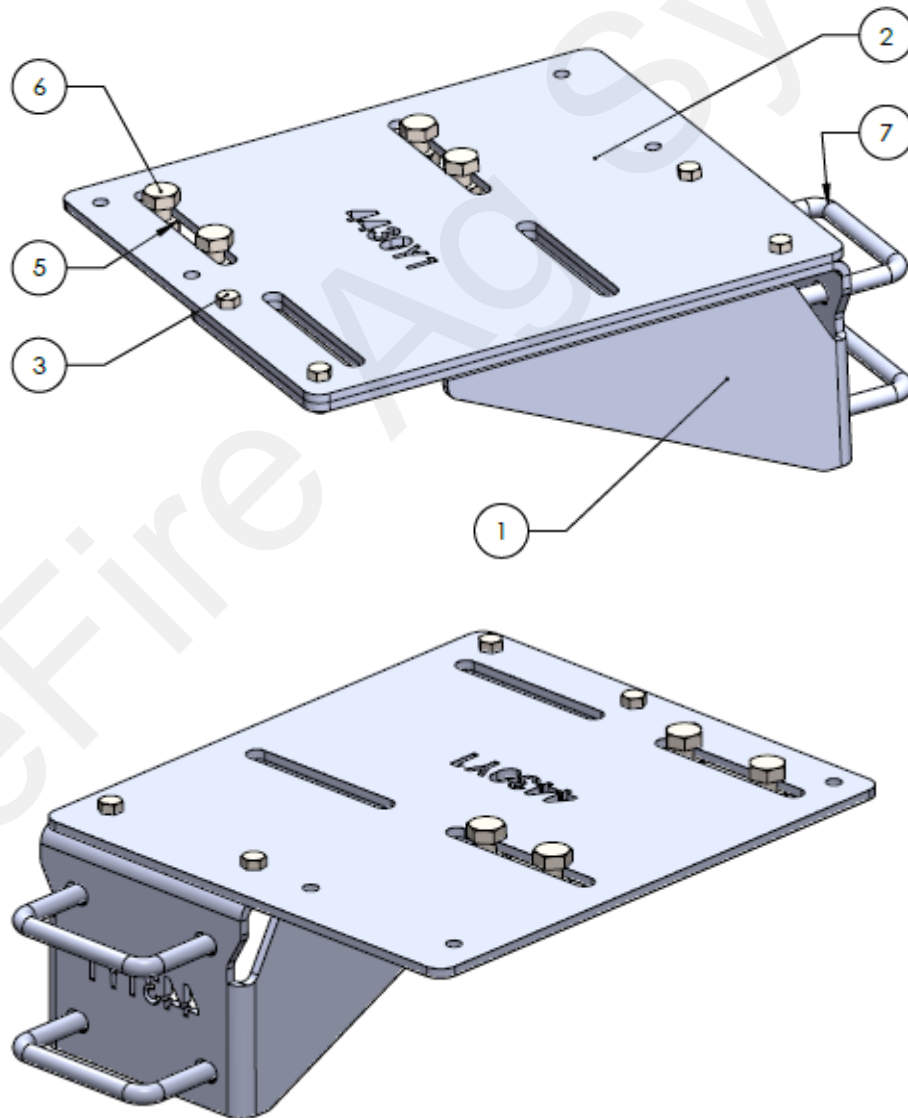




Parts List and Exploded View

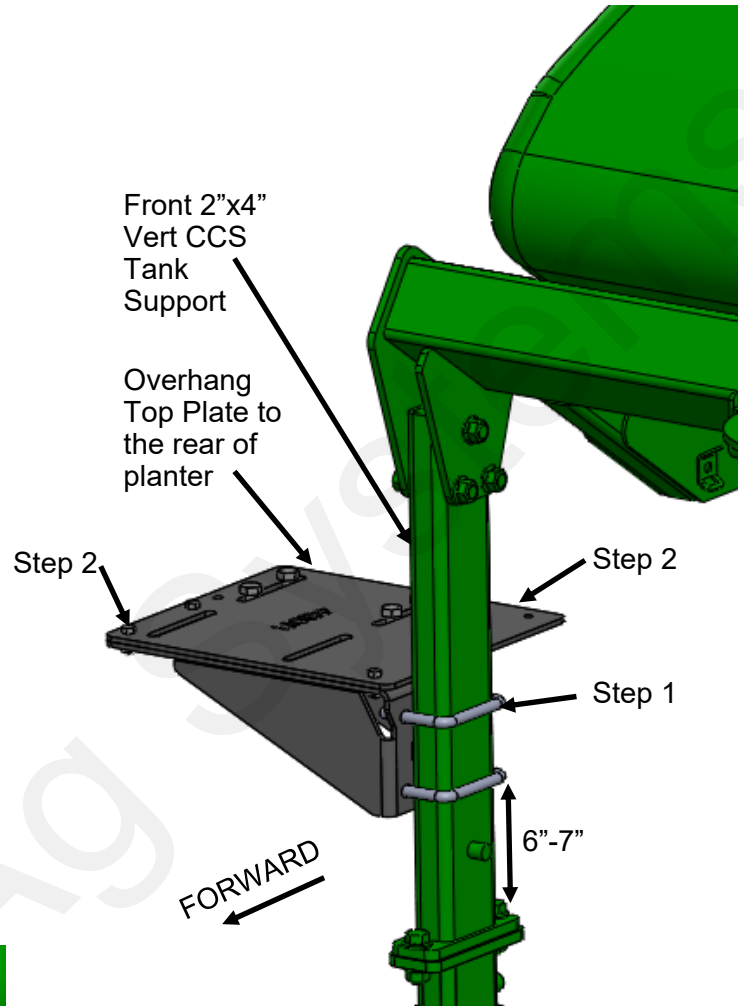
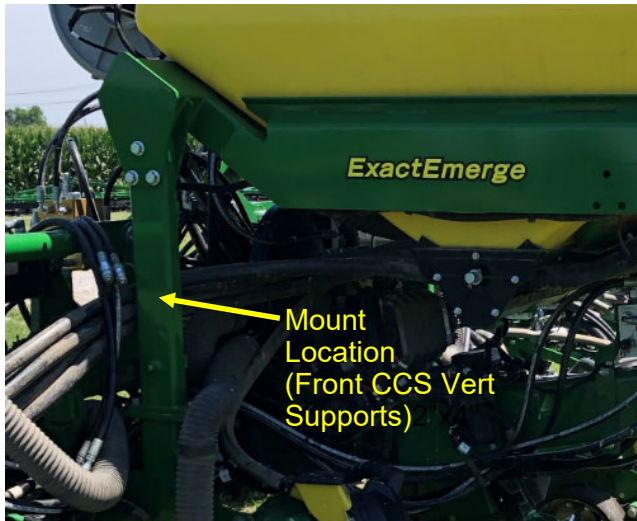
Kit Number: 515-03-200610

ITEM NO.	PART NUMBER	DESCRIPTION	QTY.
1	400-4431Y1	JD 1725C - LiquiShift Support Bracket - (Fits 4" wide vert	1
2	400-4430Y1	JD 1725C - LiquiShift Top Plate Mount	1
3	300-060100-5	3/8" x 1" Bolt G5	4
4	323-06	3/8" Flange Nut	4
5	323-08	1/2" Flange Nut	4
6	300-080104-5	1/2" x 1-1/4" Bolt G5	4
7	380-1037	1/2" U-bolt Kit - Fits 4" x 2" tube (4" opening) includes flange nuts	2



Step by Step Instructions

1. Mount 410-4431Y1 LiquiShift Support Bracket to either one of the front CCS Vertical 2"x4" Supports as shown in picture to the right using the supplied 1/2" U-bolts. Do not tighten to allow for adjustment in future steps. As a guideline, try to mount it 6-7 inches above base support connection.
2. Mount the 400-4430Y1 Top Plate to the 400-4431Y1 Support Bracket using the supplied 3/8" hardware. When mounting, make sure the top plate overhangs to the rear of the planter.



3. Mount the LiquiShift Valve Stack on bracket as shown to the left using the supplied 1/2" Hardware. Make sure the valve stack is mounted to the rear of the support bracket. If this is not the case, collision when folding planter could become an issue.

