

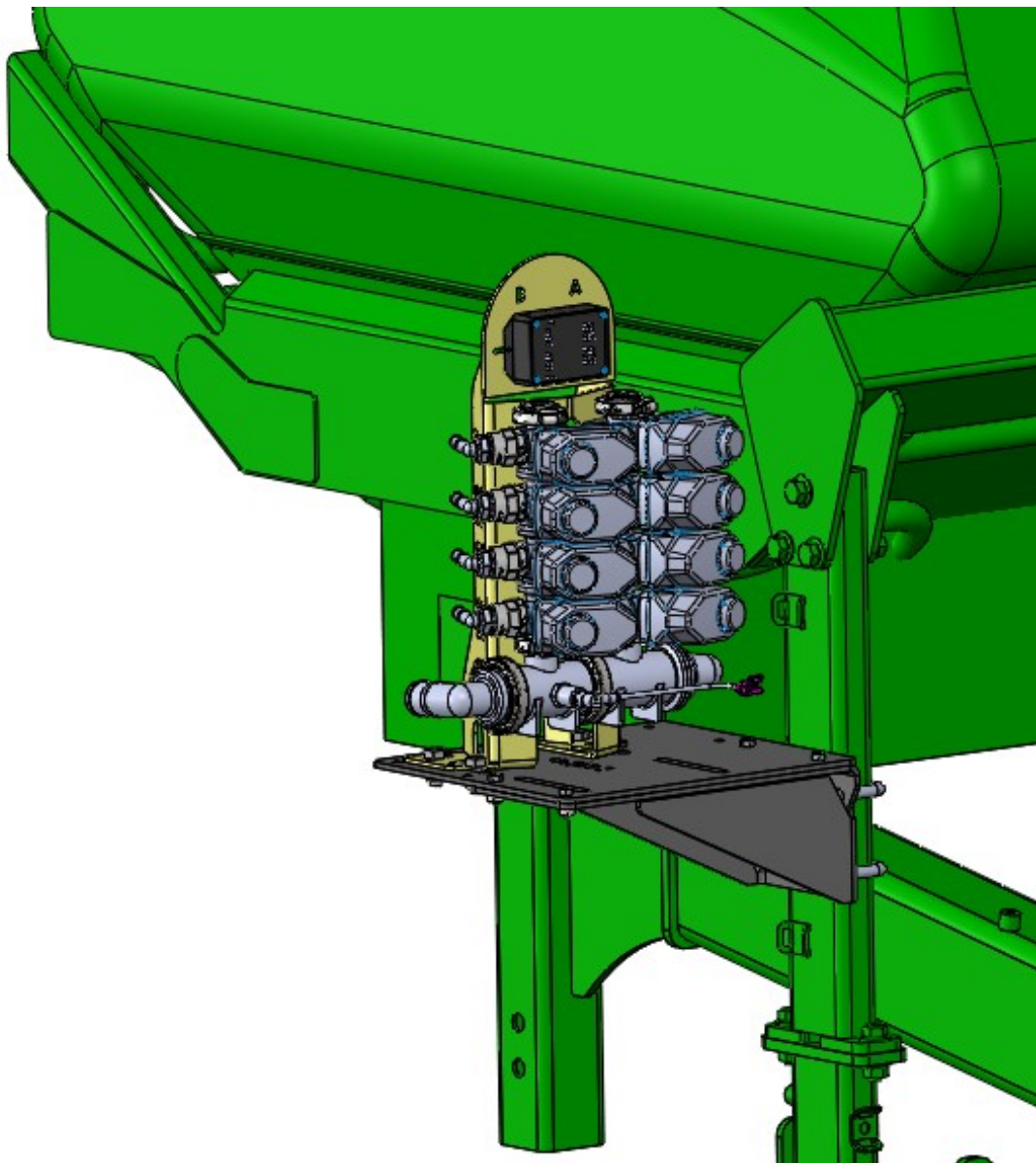


396-4440Y1

John Deere 1725C Planter LiquiShift Mount Bracket Installation Instructions

John Deere: 1725C Planter

Kit Number: 515-200610

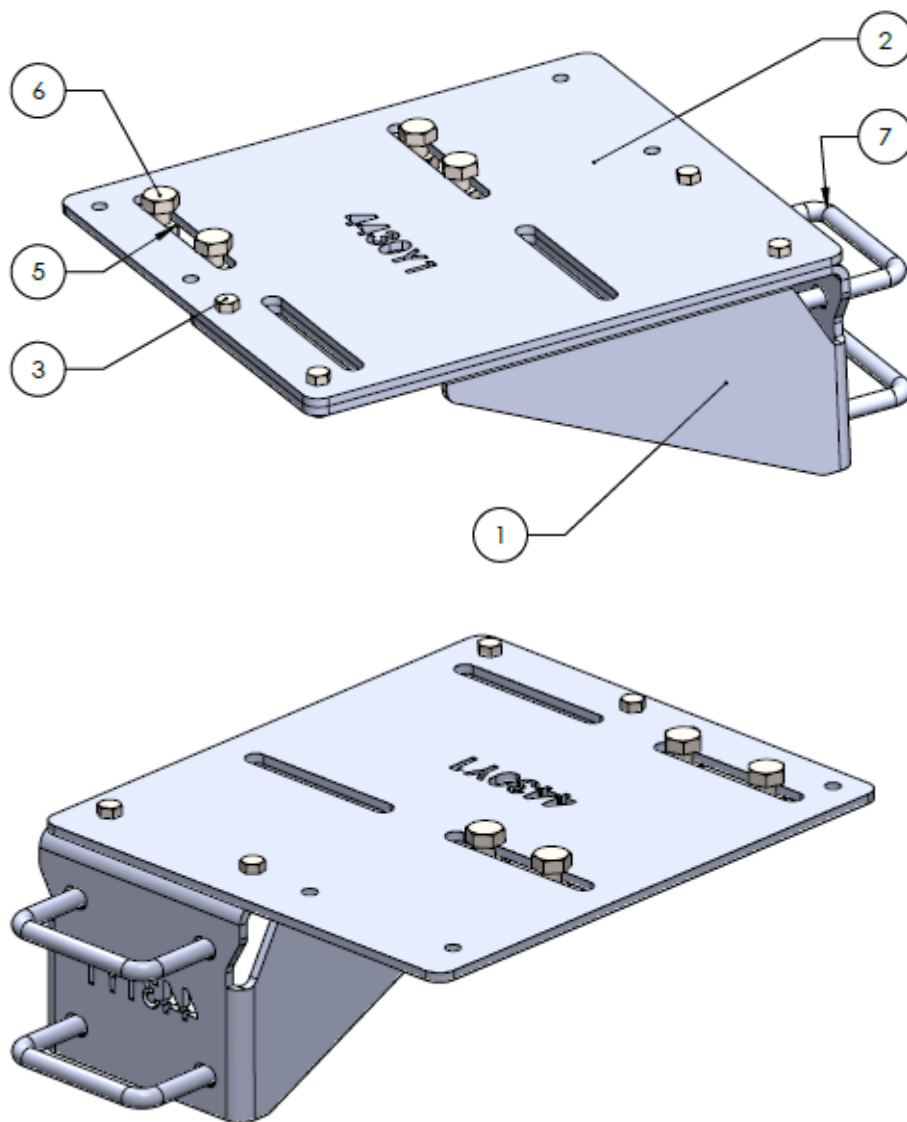




Parts List and Exploded View

Kit Number: 515-200610

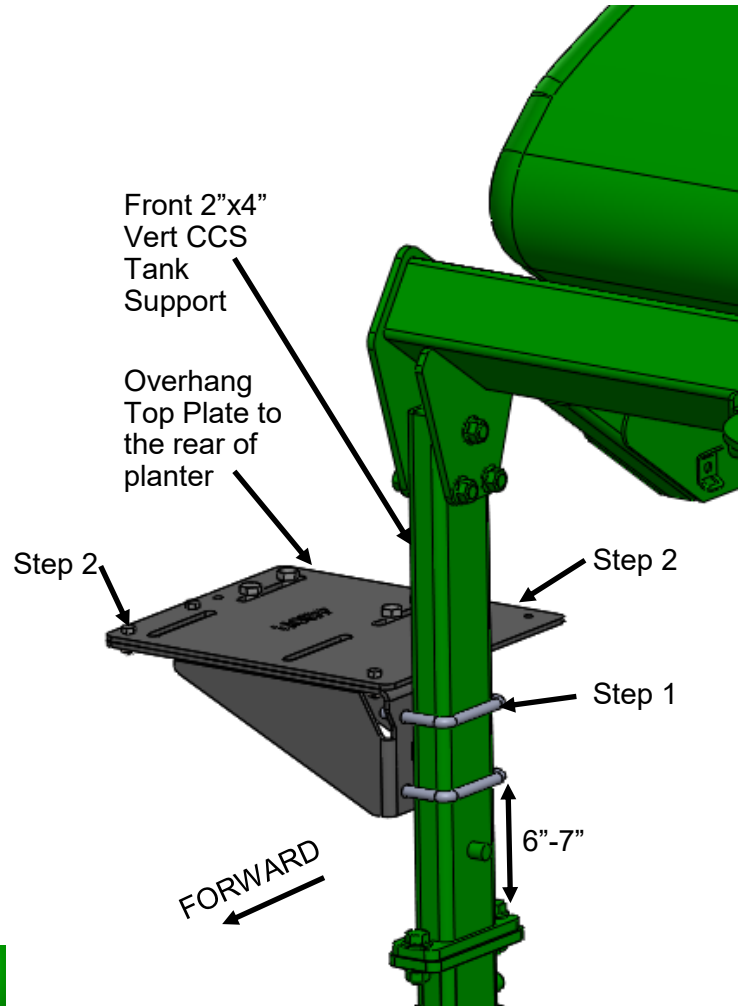
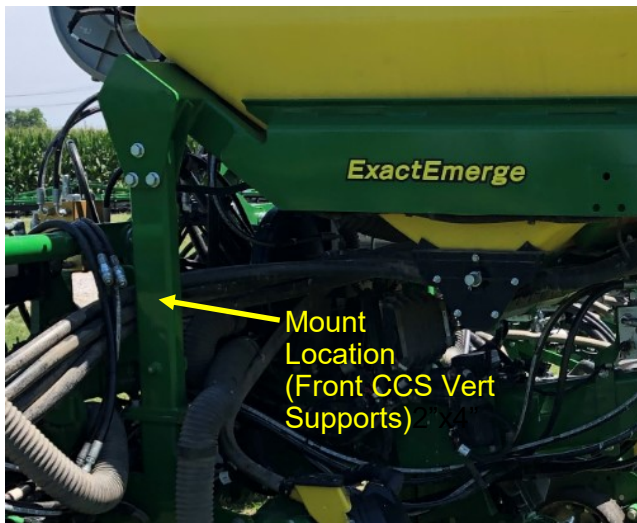
| ITEM NO. | PART NUMBER | DESCRIPTION | QTY. |
|----------|--------------|---|------|
| 1 | 400-4431Y1 | JD 1725C - LiquiShift Support Bracket - (Fits 4" wide vert toolbar) | 1 |
| 2 | 400-4430Y1 | JD 1725C - LiquiShift Top Plate Mount | 1 |
| 3 | 300-060100-5 | 3/8" x 1" Bolt G5 | 4 |
| 4 | 323-06 | 3/8" Flange Nut | 4 |
| 5 | 323-08 | 1/2" Flange Nut | 4 |
| 6 | 300-080104-5 | 1/2" x 1-1/4" Bolt G5 | 4 |
| 7 | 380-1037 | 1/2" U-bolt Kit - Fits 4" x 2" tube (4" opening) includes flange | 2 |





Step by Step Instructions

1. Mount 410-4431Y1 LiquiShift Support Bracket to either one of the front CCS Vertical 2"x4" Supports as shown in picture to the right using the supplied 1/2" U-bolts. Do not tighten to allow for adjustment in future steps. As a guideline, try to mount it 6-7 inches above base support connection.
2. Mount the 400-4430Y1 Top Plate to the 400-4431Y1 Support Bracket using the supplied 3/8" hardware. When mounting, make sure the top plate overhangs to the rear of the planter.



3. Mount the LiquiShift Valve Stack on bracket as shown to the left using the supplied 1/2" Hardware. Make sure the valve stack is mounted to the rear of the support bracket. If this is not the case, collision when folding planter could become an issue.

