



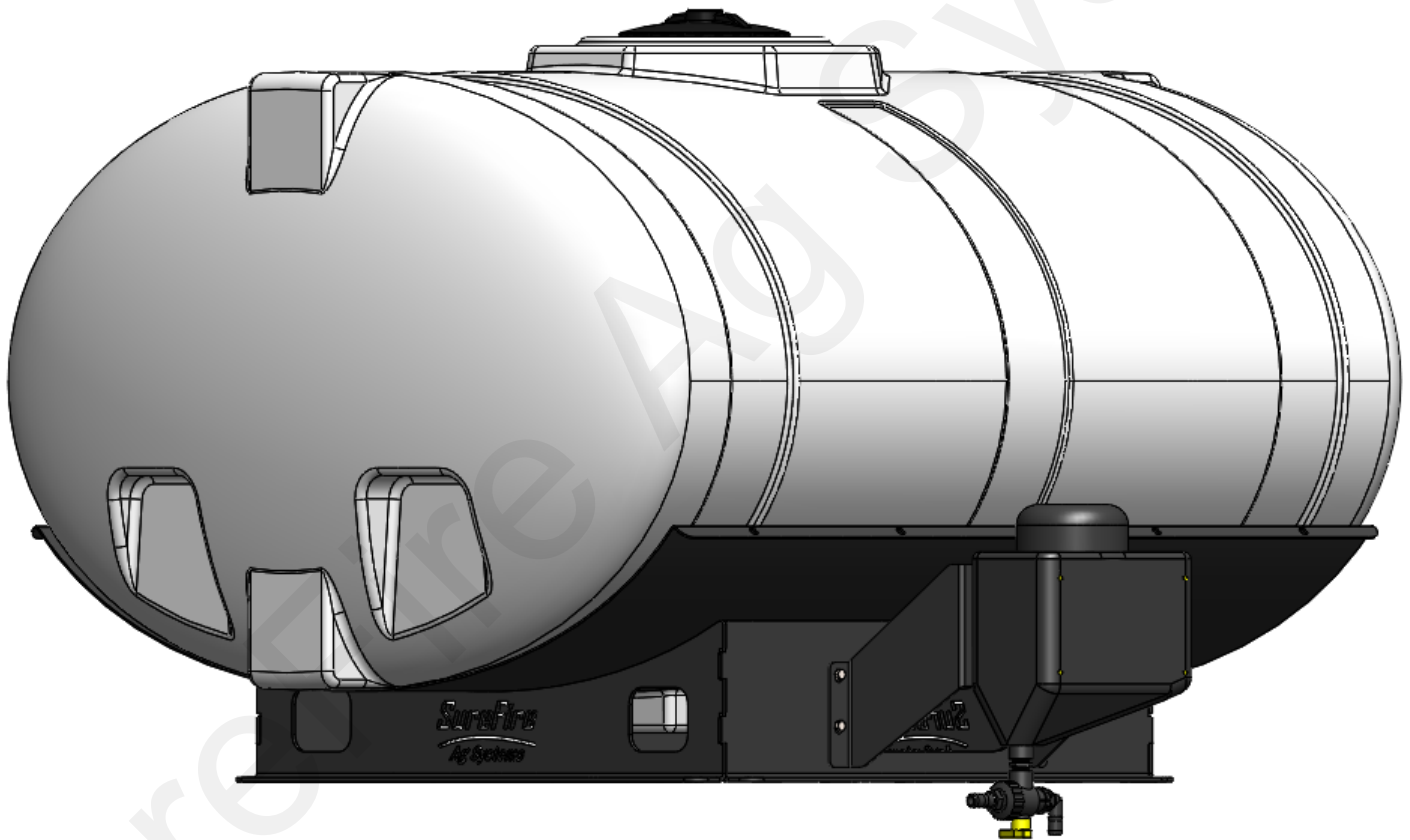
396-4163Y1

Fresh Water / Winterization Tank Add-On Kit Instruction Sheet

Kit Number: 526-10-100600

Kit Description: 3 Gallon Rinse Water / Winterization Tank Kit

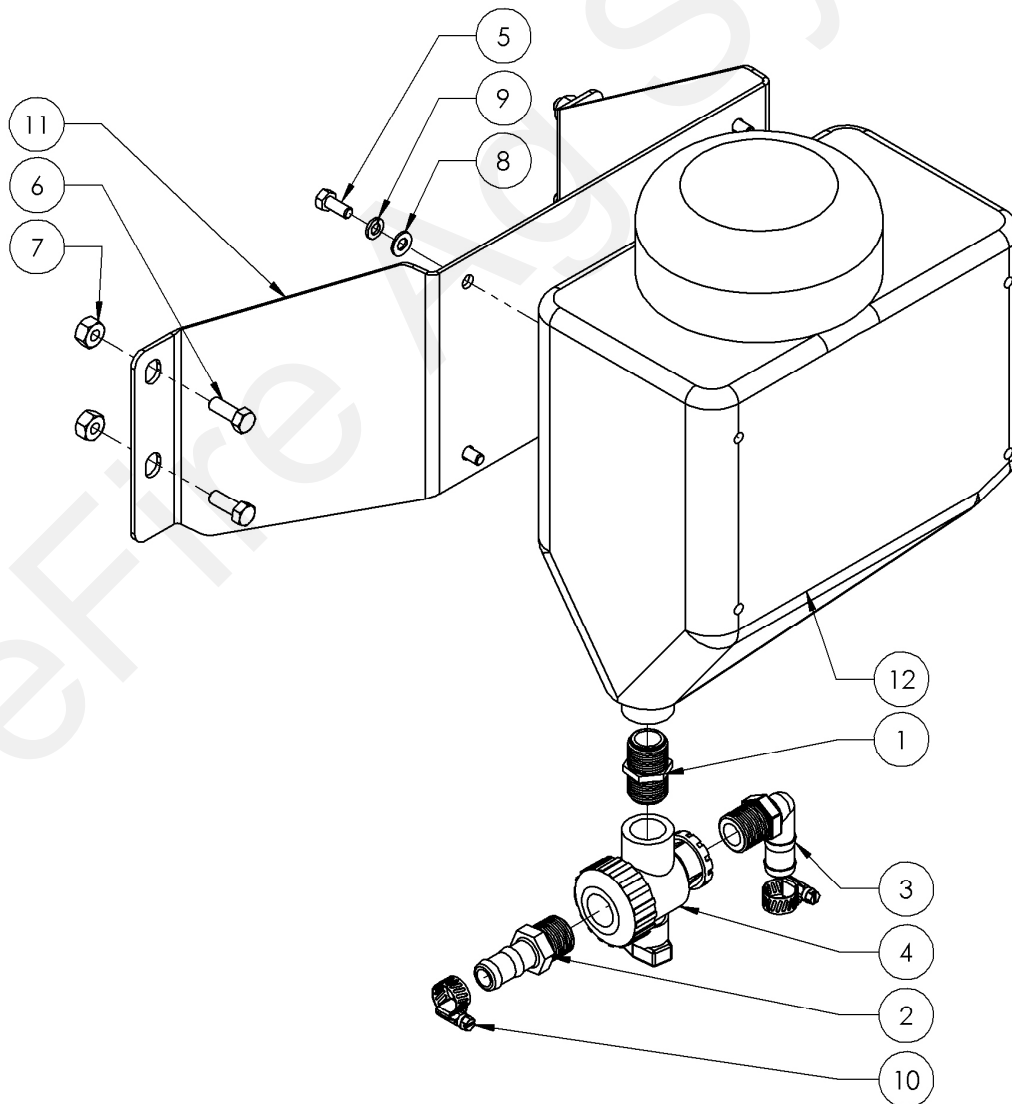
**This kit will bolt to the side of all 400, 500, 600 and 750 gallon tank cradles.*





Parts List and Exploded View

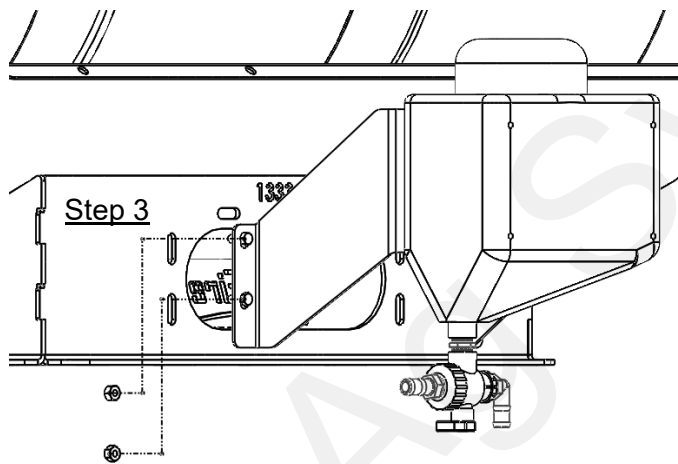
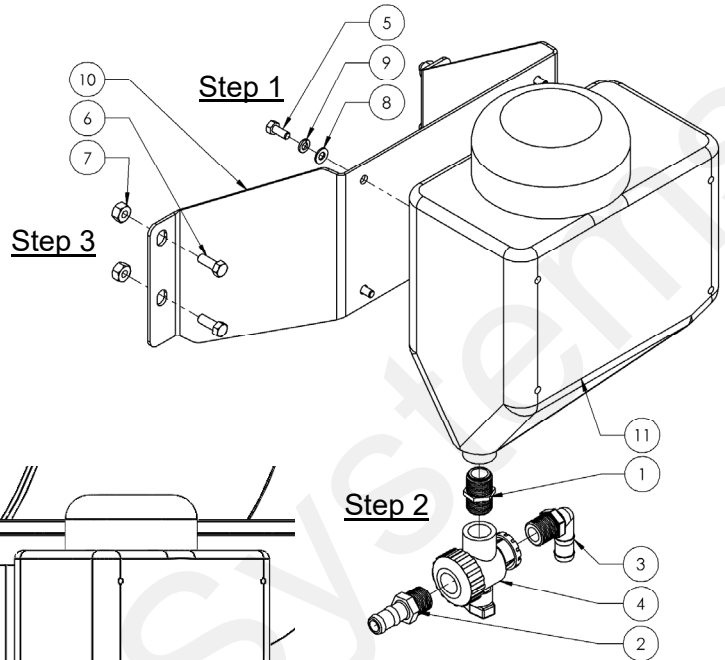
ITEM NO.	PART NUMBER	DESCRIPTION	QTY.
1	100-075NIP-SH	3/4" Short Nipple	1
2	101-075075-H	3/4" MPT x 3/4" HB	1
3	101-075075-90	3/4" MPT x 3/4" HB - 90 Degree	1
4	102-075SUBV-3BL	3/4" Union Valve 3 Way	1
5	300-050012-5	5/16" x 3/4" Hex Head Bolt - G5	4
6	300-060100-5	3/8" x 1" Hex Head Bolt - G5	4
7	323-06	3/8" Flange Nut	4
8	330-05	5/16" Flat Washer	4
9	331-05	5/16" Lock Washer	4
10	350-0605	SS Hose Clamp - Size 6 - 7/8" Diameter (fits 3/8" and 1/2" AG200)	2
11	400-2029A1-BK	3 Gallon Water Tank Bracket for 400 & 500 Gallon Cradles	1
12	727-05-SP0003-RT-BLACK	Black 3 Gallon Specialty Tank	1





Step by Step Instructions

1. Use 5/16" bolt, lock washer, and flat washer to mount the tank to the mounting bracket as shown.
2. Assemble tank valve plumbing as shown using pipe thread sealant.
3. Mount the fresh water / winterization tank assembly to the side of the SureFire tank cradle as shown using (4) 3/8" bolts and flange nuts.



Operational Instructions

Tank Kit can be used to fill full of clean rinse water or RV anti-freeze as recommended by SureFire Ag Systems for winterizing your system. In some cases, 3 gallons may not be sufficient to completely fill the system. Route a hose from the provided hose barb to the inlet side of the pump for easy flushing of the system. The 3-Way valve in the middle position is off.

Winterization

SureFire recommends flushing your fertilizer pump and complete system with adequate amounts of water first. Next, use RV antifreeze to winterize your system by pumping an adequate amount through all components. At the beginning of the next season, begin with water to verify the system is in working order with no leaks.

