



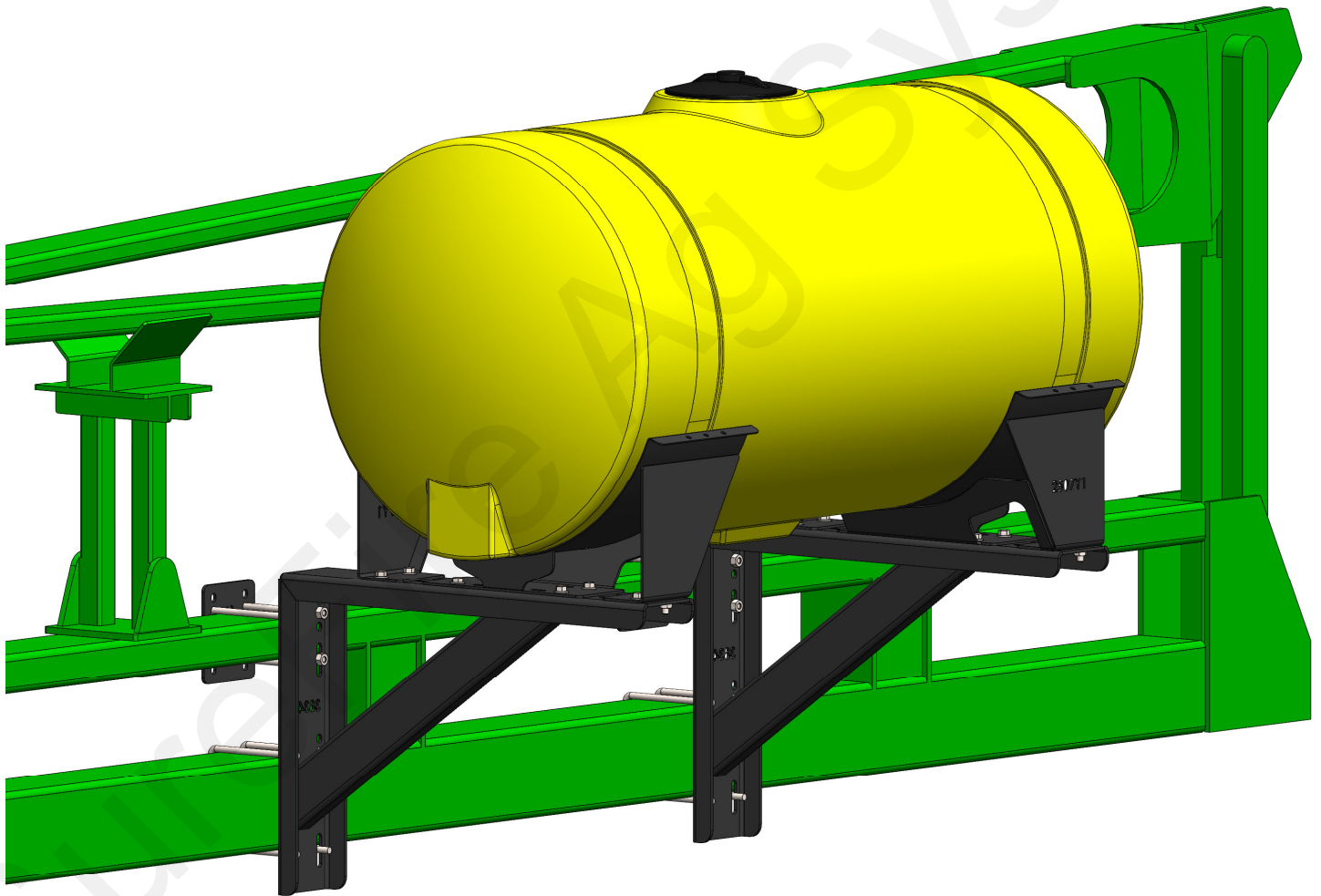
396-4107Y1

John Deere 1770/1775 24R30 Wing Tank Mounting Instructions

Planter Manufacturer: **JOHN DEERE**

Kit Number: 530-01-550600

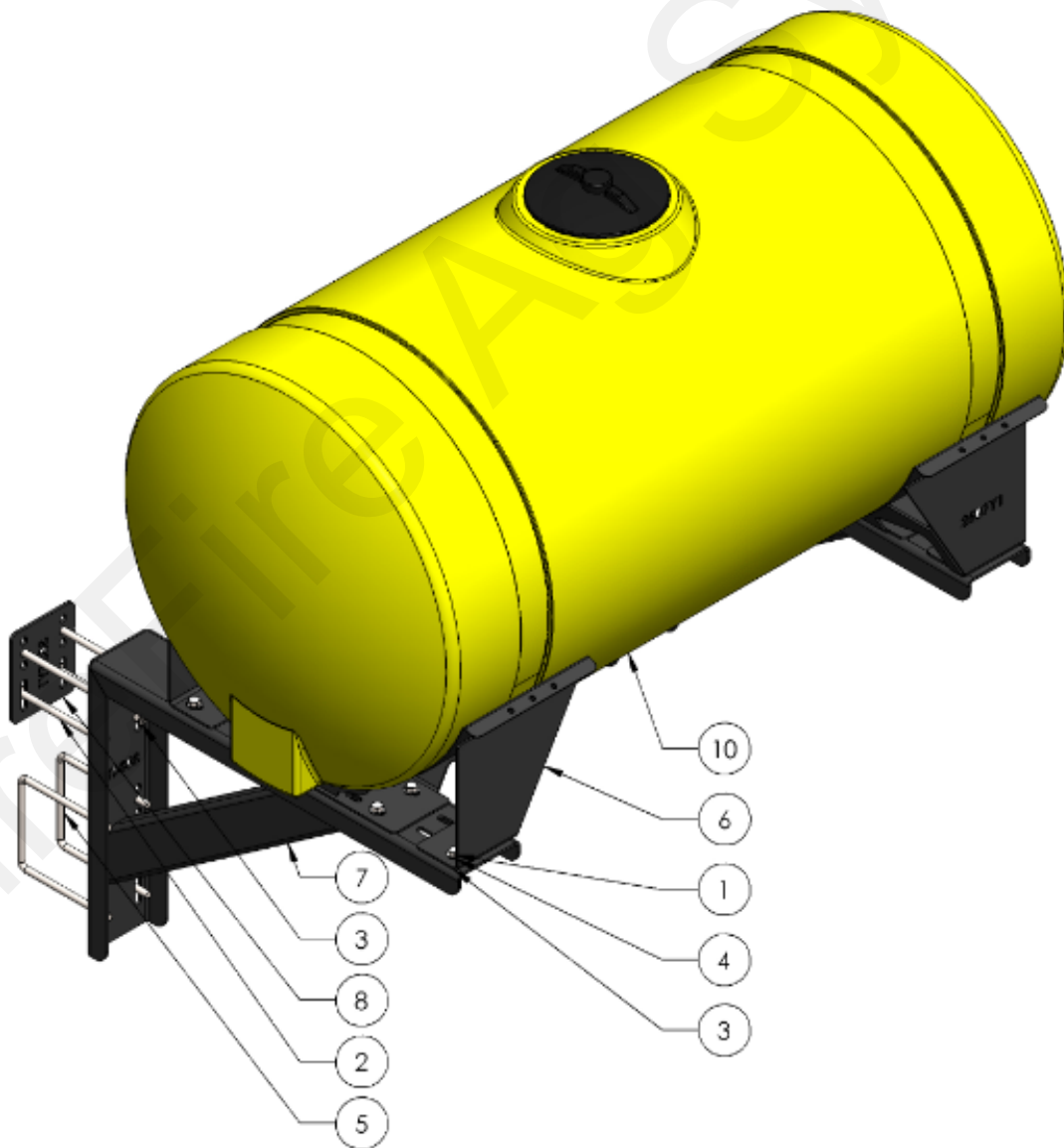
John Deere 1770/1775 24R30 200 Gallon Round Wing Tank Kit





Parts List and Exploded View 530-01-550600

ITEM	PART NUMBER	DESCRIPTION	QTY.
1	300-080108-5	1/2" x 1-1/2" Hex Head Bolt - G5	16
2	300-080800-5	1/2" x 8" Hex Head Bolt - G5	8
3	323-08	1/2" Flange Nut	24
4	330-08	1/2" Flat Washer	24
5	380-1001	1/2" U-bolt Kit - fits 7" x 7" tube	4
6	420-3834Y1-GN	John Deere 1775NT 24R30 Wing Tank Bracket	2
7	420-3835Y1-GN	John Deere 1775NT 24R30 Wing Tank Backer Plate	2
8	525-2055	2" Tank Strap Kit	2
9	727-02-HZ0200-32-Y	Horizontal Tank - 200 Gal - Yellow - 32" x 68"	1





Step by Step Instructions

530-01-550650

1. Loosely fasten support bracket to 7"x7" toolbar with provided U-bolts.
2. Use backer plate and (4) 1/2" x 8" bolts each to fasten bracket to top 3"x7" toolbar.
3. Set tank saddles on top of support and use eight (8) 1/2" x 1-1/2" bolts to secure saddle in place.
(Saddles can be mounted either direction to provide mounting flexibility from obstructions.)
4. Set tank in saddles and adjust as necessary. Route hoses through slots in support brackets.
5. Tighten all bolts and strap tank in place.
6. Check for clearance issues when folding planter for the first time.

