

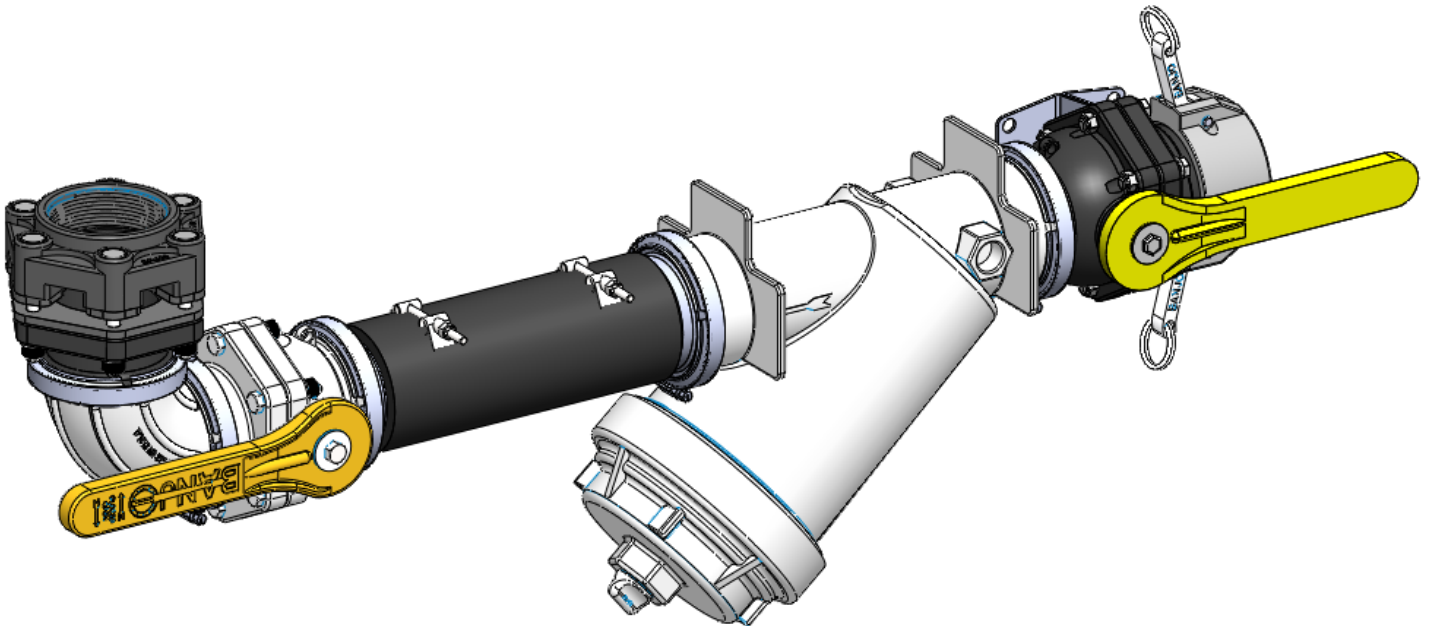


396-4066Y1

3" Fill/Discharge Kit Installation Instructions

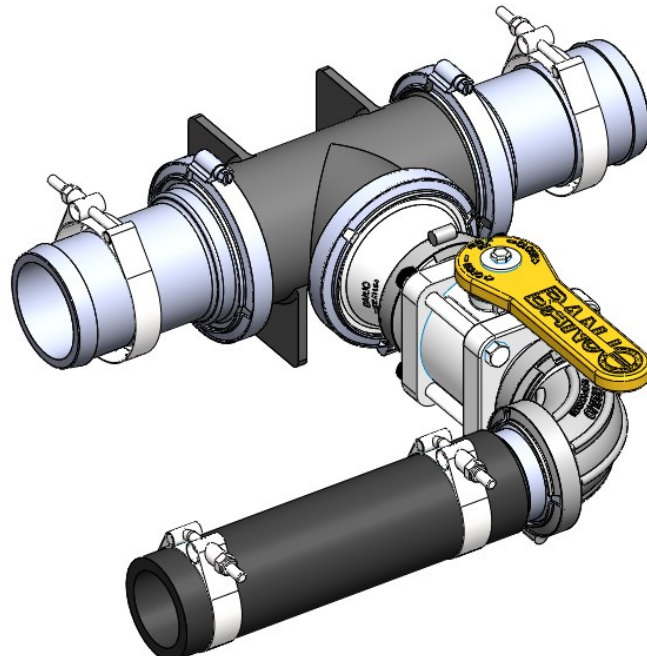
Kit Number: 520-00-101800

Kit Description: Fill Kit - 3" Fill Kit to 3" HB with 20' of 3" Hose



Kit Number: 520-00-103800

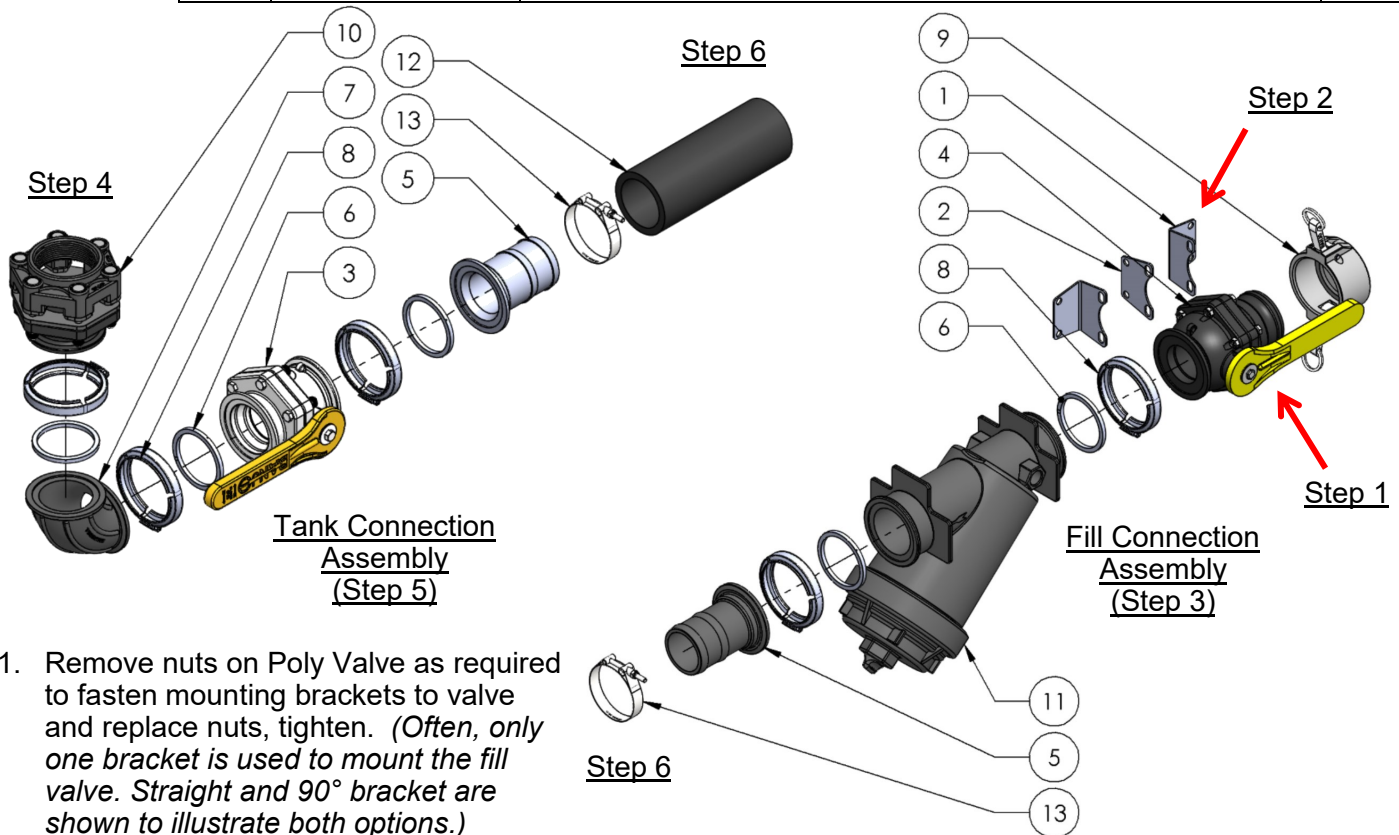
Kit Description: 3" Discharge Kit - 3" Fill line to 2" Tie in for PumpRight Pumps





Parts List and Exploded View

ITEM NO.	PART NUMBER	DESCRIPTION	QTY.
1	102-200VBR-90	2" Mounting Bracket - 90 degree	2
2	102-200VBR	2" Mounting Bracket - Straight	1
3	102-300MVSCF	3" Manifold Stubby Valve (2 1/2" thru ball)	1
4	102-300MVSF	Stubby Valve, 3" Flange x 3" Male Adapter	1
5	105-300BRB	3" Flange x 3" Hose Barb	2
6	105-300G	3" EPDM Manifold Gasket	7
7	105-300SWP90	3" Manifold, 90° sweep	3
8	105-FC300	3" Manifold Clamp	7
9	106-300CAP	3" Cap	1
10	108-MBF335BD	3" Manifold Bolted Tank Flange - Bottom Drain (3-1/4" BD)	1
11	109-300MLS-20	109-300MLS-50	1
12	280-300-ENF	3" Enforcer Fertilizer Hose	30
13	350-TC287	T-Bolt Hose Clamp - 2.87" - 3.18" Diameter	2
14	384-1004	Hardware Kit - Qty 6 Size 12 x 1-1/4" Self Drilling Screws with Qty 4 5/16" Fender Washers	1



1. Remove nuts on Poly Valve as required to fasten mounting brackets to valve and replace nuts, tighten. (Often, only one bracket is used to mount the fill valve. Straight and 90° bracket are shown to illustrate both options.)
2. Using hardware kits, fasten poly valve mounting brackets to implement.
3. Continue to assemble fill kit strainer assembly as shown.
4. Install 3" tank bung into tank by drilling center hole and following bolt hole pattern for the mounting bolts.
5. Assemble tank valve manifold fittings as shown.
6. Route 3" hose from strainer assembly hose barb to tank opening hose barb and tighten with hose clamps.

OPTIONAL FILL KIT MOUNTING: Drill and install bung in flat spot on the top of the tank at either end. When plumbing this way, a bottom discharge must be used rather than tying into the fill line.



Optional Items that may be suggested for this equipment .

Kit Number: 520-00-103800

Kit Description: 3" Discharge Kit - 3" Fill line to 2" Tie in for PumpRight Pumps

ITEM NO.	PART NUMBER	DESCRIPTION	QTY.
1	100-075PLUG	3/4" Pipe Plug	1
2	100-125PLUG	1-1/4" Pipe Plug	1
3	102-200MVCF	2" Manifold Standard Port Poly Valve	1
4	105-150G-H	1-1/2" EPDM Gasket	3
5	105-200BRB	2" Manifold x 2" Hose Barb	1
6	105-200SWP90	2" Manifold Sweep - 90 Degree	1
7	105-300200CPG	3" Manifold x 2" Manifold - Reducer Coupling	1
8	105-300BRB	3" Manifold x 3" Hose Barb	2
9	105-300G-H	3" EPDM Manifold Gasket	3
10	105-300TEE	3" Manifold Tee	1
11	105-FC200	2" Manifold Clamp	3
12	105-FC300	3" Manifold Clamp	3
13	350-TC250	Pressure Seal HD Clamp, Size 312 - 2.50 - 2.81" Diameter	2
14	350-TC287	T-Bolt Hose Clamp - 2.87"-3.18" Diameter	2

