



396-4002Y1

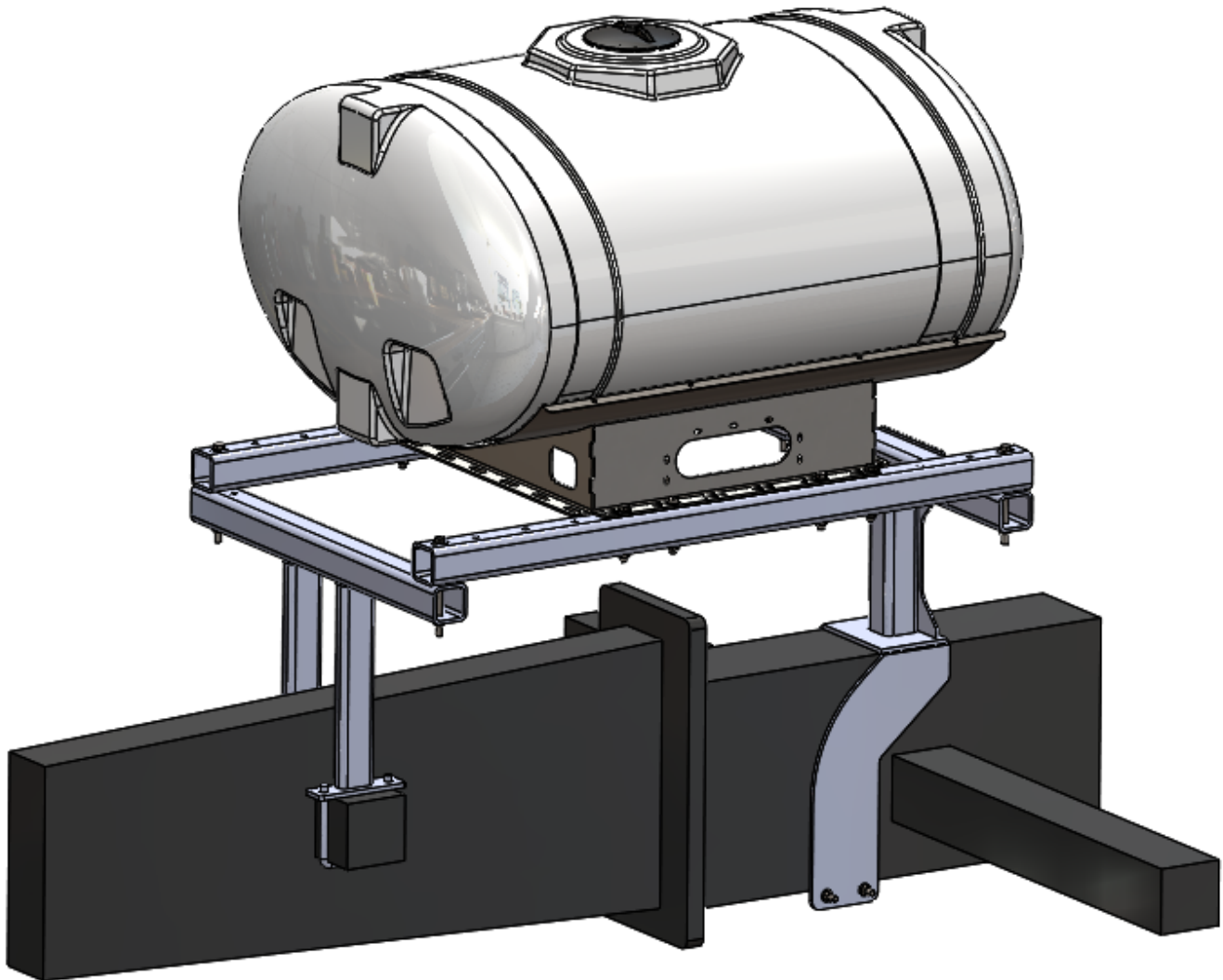
CrustBuster 4750 Drill 50' Wide w/o Markers Tank Mounting Instructions

Drill Manufacturer:



Kit Numbers:

- 551-02-300400—400 Gal Horizontal Tank, Brackets and Hardware
- 551-02-300450—400 Gal Elliptical Tank, Brackets and Hardware
- 551-02-300500—500 Gal Elliptical Tank, Brackets and Hardware



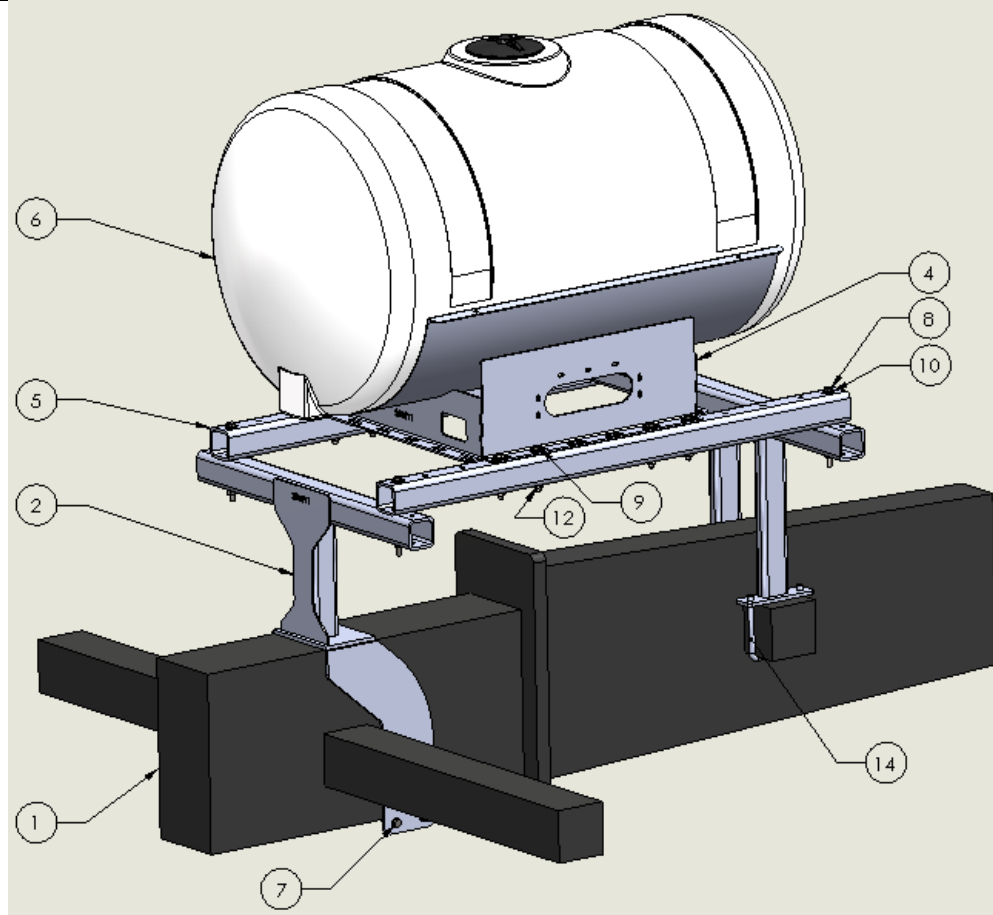


Parts List and Exploded View

Kit Number:

551-02-300400—400 Gal Horizontal Tank, Brackets and Hardware

ITEM NO.	PART NUMBER	DESCRIPTION	QTY.
1	4750 Crustbuster Hitch	Crustbuster 4750 Hitch (Reference Only)	1
2	451-3949Y1	Rear Tank Stand - Crustbuster 4750 (50') Drill - Weldment	1
3	451-3945Y1	Front Tank Stand - CrustBuster 4750 (50') Drill - Weldment	1
4	451-2409Y1	400 Gallon Horizontal Cradle Weld Assembly	1
5	451-3954Y1	Span Support Beam - 4x4x3/8" Square Tube	2
6	727-02-HZ0400-42-W	Horizontal Tank - 400 Gal - White 74" x 42"	1
7	300-101400-5	5/8" x 14" G5	2
8	300-101000-5	5/8" x 10" HCS G5	4
9	300-100508-5	5/8" x 5-1/2" HCS G5	8
10	330-10	5/8" Flat Washer	16
11	321-10	5/8" Nylock Nut	2
12	323-10	5/8" Flange Nut	13
13	525-3000	3" Tank Strap Kit for 400 - 1000 gal tank (one strap per kit)	2
14	380-1060	3/4" U-bolt Kit - fits 7" x 7" tube (7" opening) includes Flat & Lock	2



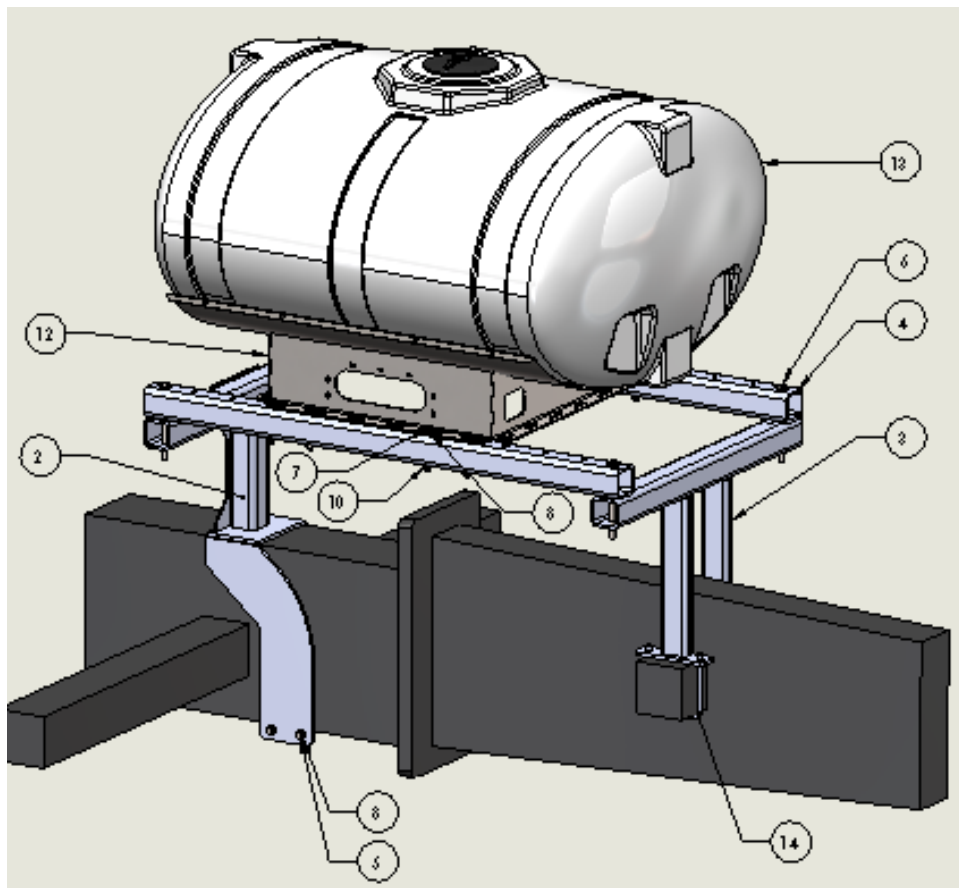


Parts List and Exploded View

Kit Number:

551-02-300450—400 Gal Elliptical Tank, Brackets and Hardware

ITEM NO.	PART NUMBER	DESCRIPTION	QTY.
1	4750 Crustbuster Hitch	Crustbuster 4750 Hitch (Reference Only)	1
2	451-3949Y1	Rear Tank Stand - Crustbuster 4750 (50') Drill - Weldment	1
3	451-3945Y1	Front Tank Stand - CrustBuster 4750 (50') Drill - Weldment	1
4	451-3954Y1	Span Support Beam - 4x4x3/8" Square Tube	2
5	300-101400-5	5/8" x 14" G5	2
6	300-101000-5	5/8" x 10" HCS G5	4
7	300-100508-5	5/8" x 5-1/2" HCS G5	8
8	330-10	5/8" Flat Washer	16
9	321-10	5/8" Nylock Nut	2
10	323-10	5/8" Flange Nut	12
11	525-3000	3" Tank Strap Kit for 400 - 1000 gal tank (one strap per kit)	2
12	421-1333A2	400 Gallon Elliptical Cradle	1
13	727-01-HE0400-57-W	Elliptical Tank - 400 Gal - White	1
14	380-1060	3/4" U-bolt Kit - fits 7" x 7" tube (7" opening)	2



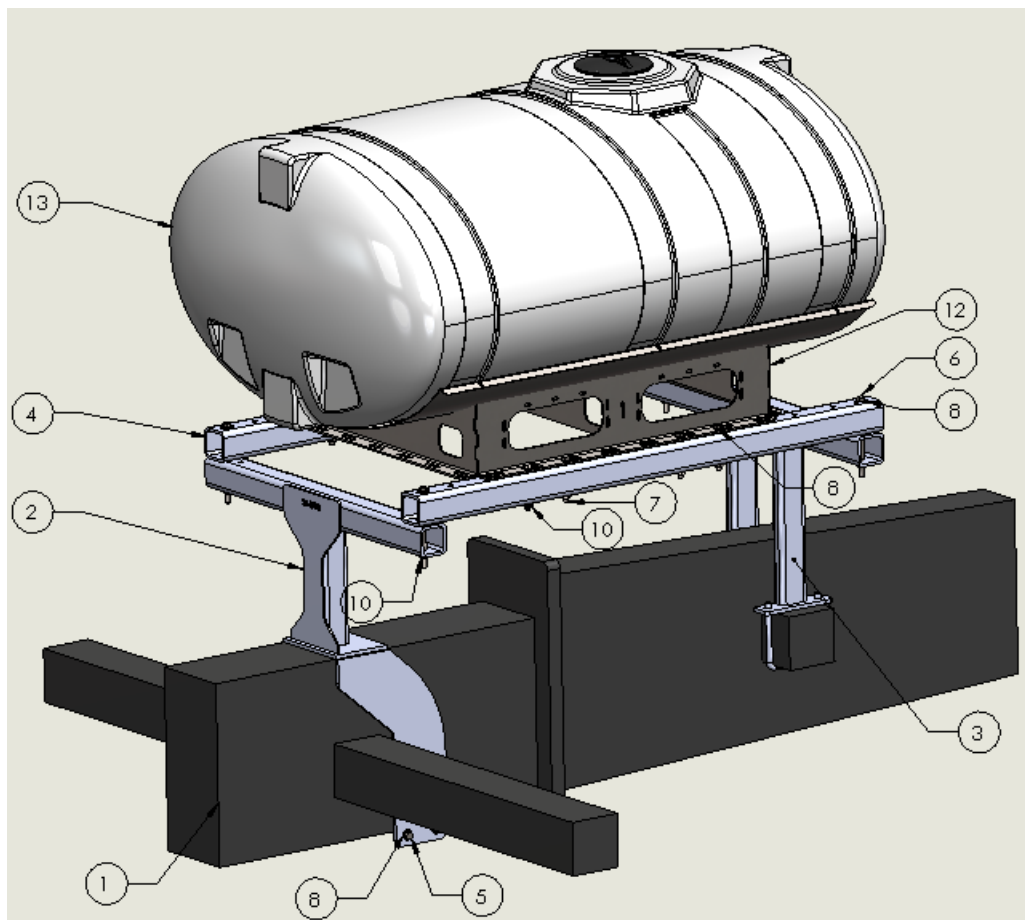


Parts List and Exploded View

Kit Number:

551-02-300500—500 Gal Elliptical Tank, Brackets and Hardware

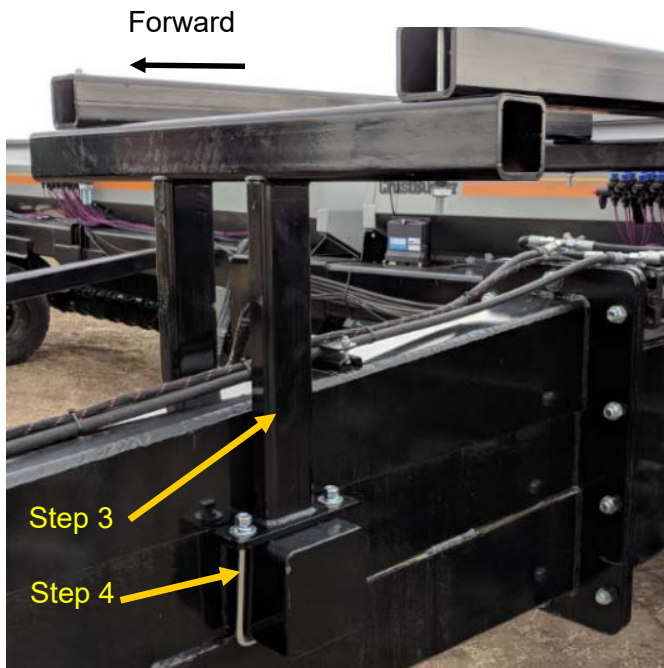
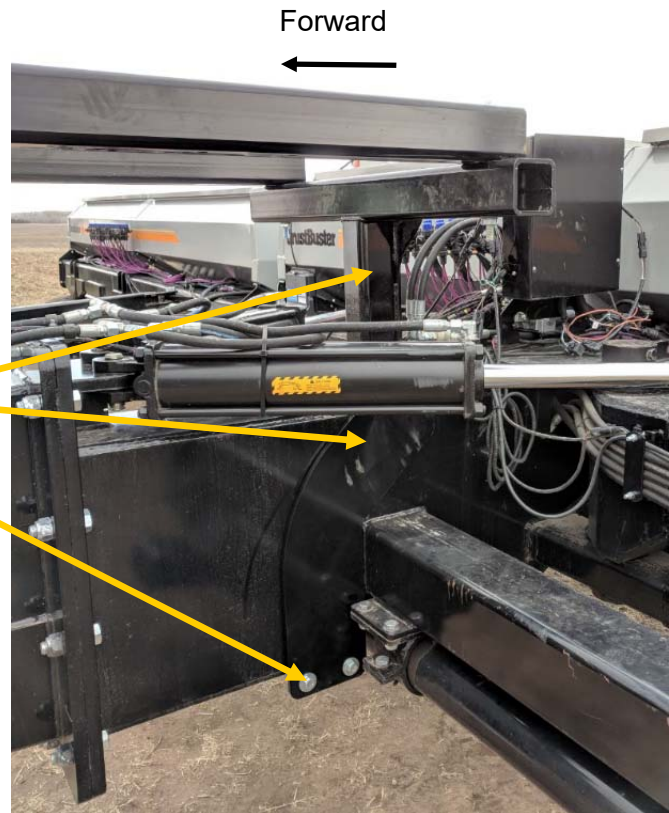
ITEM NO.	PART NUMBER	DESCRIPTION	QTY.
1	4750 Crustbuster Hitch	Crustbuster 4750 Hitch	1
2	451-3949Y1	Rear Tank Stand - Crustbuster 4750 (50') Drill - Weldment	1
3	451-3945Y1	Front Tank Stand - CrustBuster 4750 (50') Drill - Weldment	1
4	451-3954Y1	Span Support Beam - 4x4x3/8" Square Tube	2
5	300-101400-5	5/8" x 14" G5	2
6	300-101000-5	5/8" x 10" HCS G5	4
7	300-100508-5	5/8" x 5-1/2" HCS G5	8
8	330-10	5/8" Flat Washer	16
9	321-10	5/8" Nylock Nut	2
10	323-10	5/8" Flange Nut	12
11	525-3000	3" Tank Strap Kit for 400 - 1000 gal tank (one strap per kit)	2
12	421-1329A2	500 Gallon Elliptical Cradle	1
13	727-01-HE0500-57-OS-W	Elliptical Tank - 500 Gal - White - Offset Sump	1
14	380-1060	3/4" U-bolt Kit - fits 7" x 7" tube (7" opening)	2





Step by Step Instructions

1. Place the Rear Tank Stand (451-3949Y1) over the rear hitch as shown in picture to the right.
2. Insert the supplied 5/8"x14" Bolts with washers and nylocks. Do not tighten to allow for adjustment in the next steps.

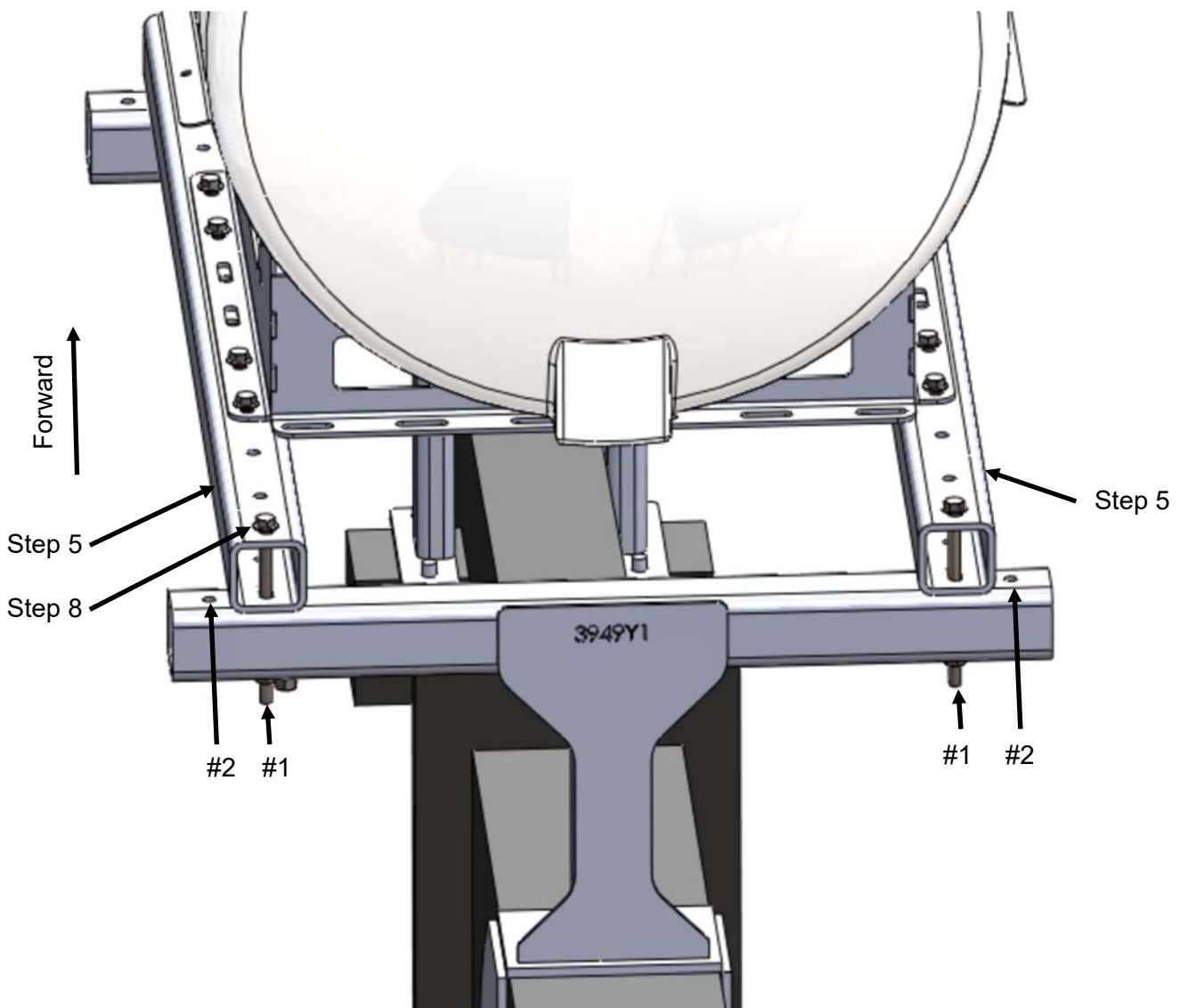


3. Place the Front Tank Stand (451-3945Y1) at the 7"x7" tool bar block out off of the hitch as shown in picture to the left.
4. Insert the supplied 3/4" Square Bend Ubolts as shown with washers, lock washers and nuts. Do not tighten to allow for adjustment in the next steps.



Step by Step Instructions

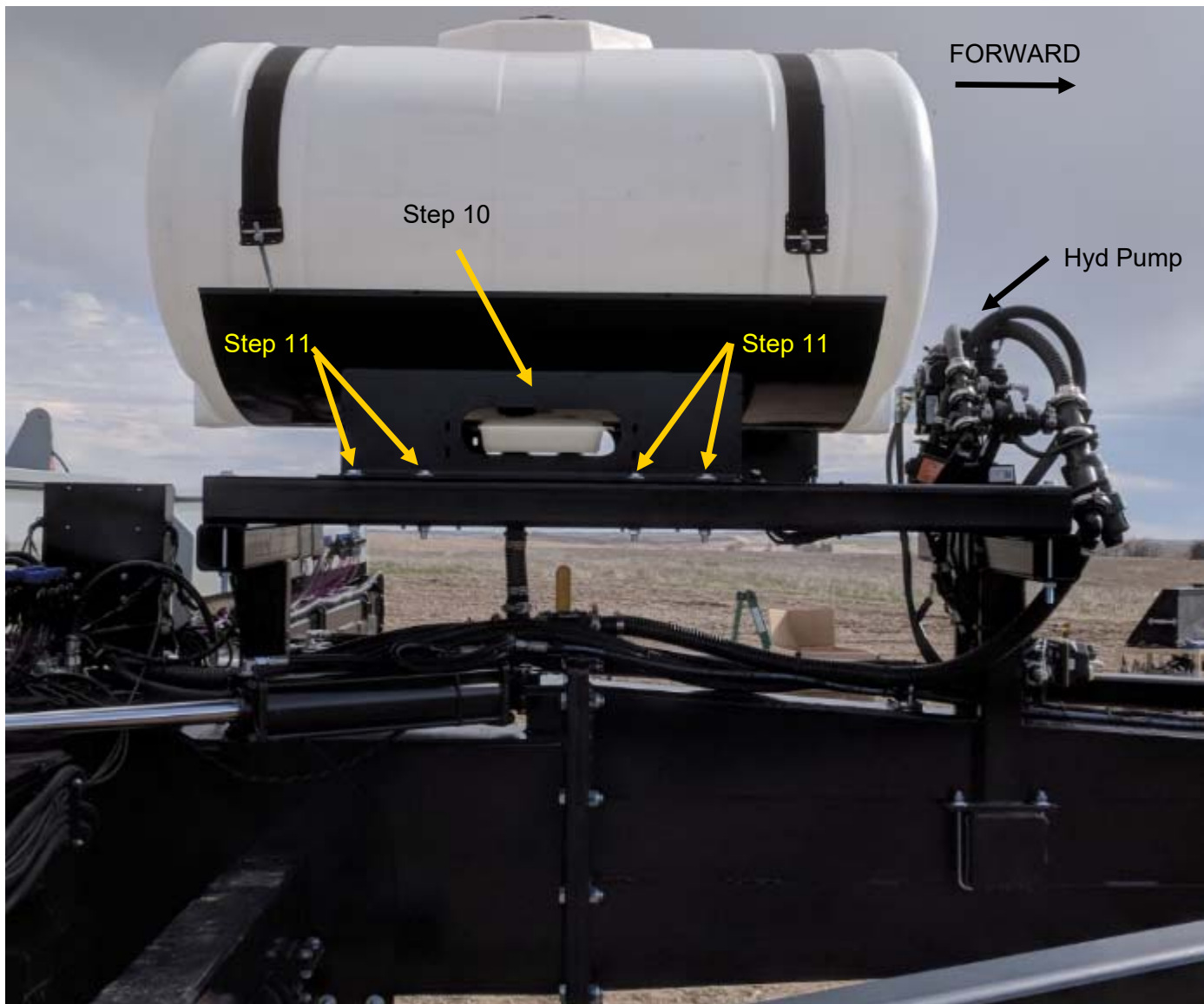
5. Place the Span Supports Beams (451-3954Y1) on top of the Tank Stands as shown in image below.
6. For **400 Gal Horizontal Tank and Cradle (Kit: 551-02-300400)**, install the Support Beams on the inside set of holes of the tank stands. **See #1 Arrows below...**
7. For **400 and 500 Gal Elliptical Tank and Cradle (Kit: 551-02-300450 & 300500)**, install the beams on the outside set of holes of the tank stands. **See #2 Arrows Below...**
8. Use the supplied 5/8"x10" bolts (QTY 4) with one washer on top and flange nuts at bottom to install the support beams.
9. Tighten all bolts on the tank stands and support beams.





Step by Step Instructions

10. Place the tank and cradle on the support beams. It is best to install towards the rear of the Support Beams to allow room for installation of accessory plumbing such as Hydraulic Pump, Section Valves, etc.
11. Once Cradle is in desired location, use the supplied 5/8"x5-1/2" Bolts (QTY 8) with washers on top and flange nuts on bottom. Tighten all bolts.



Optional Items that may be suggested for this equipment .

