

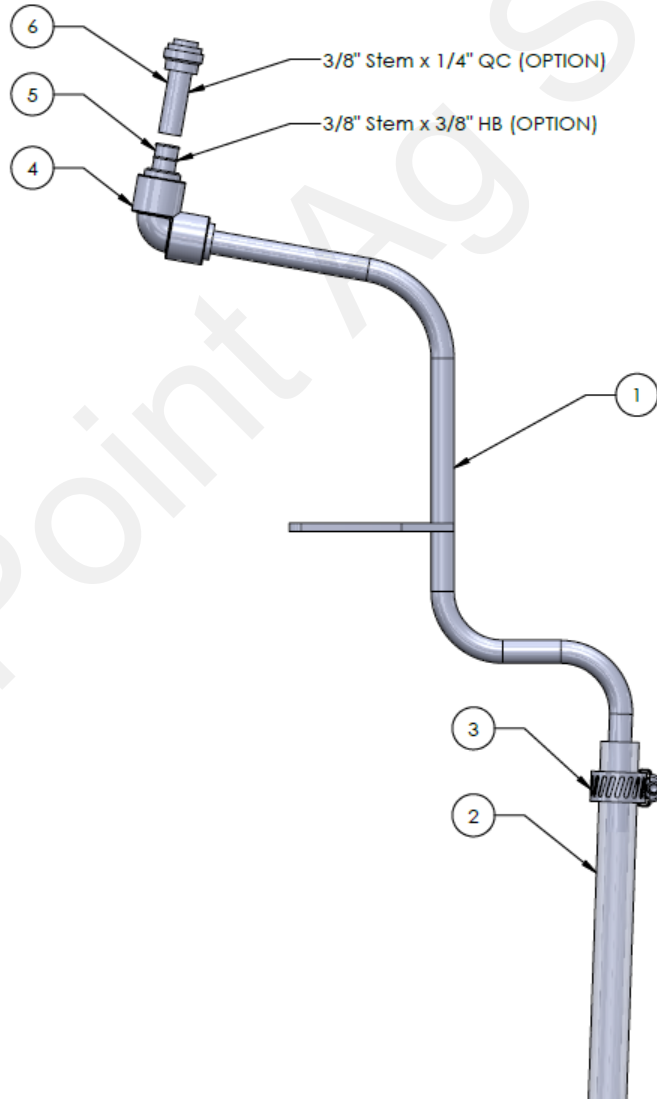


396-3901Y1

John Deere 1775 ExactEmerge In-Furrow Stainless Steel Tube Installation Instructions

Kit Number: 270-4039Y1 - For ExactEmerge Row Units with Pneumatic Down-Force on Closing Wheels Tube Kit

ITEM NO.	PART NUMBER	DESCRIPTION	QTY.
1	274-4039Y1	JD ExactEmerge In-Furrow tube - TUBE ONLY	1
2	283-038-15018560-06	6 Inches - Bulk 3/8" EVA Clear Tubing	1
3	350-0605	SS Hose Clamp - Size 6 - 7/8" Diameter	1
4	113-10-038038	Equal Elbow - 3/8" QC - 90 degree	1
5	113-01-038038	3/8" Stem x 3/8" Hose Barb	1
6	113-03-038025	Stem Reducer - 3/8" Stem x 1/4" QC	1



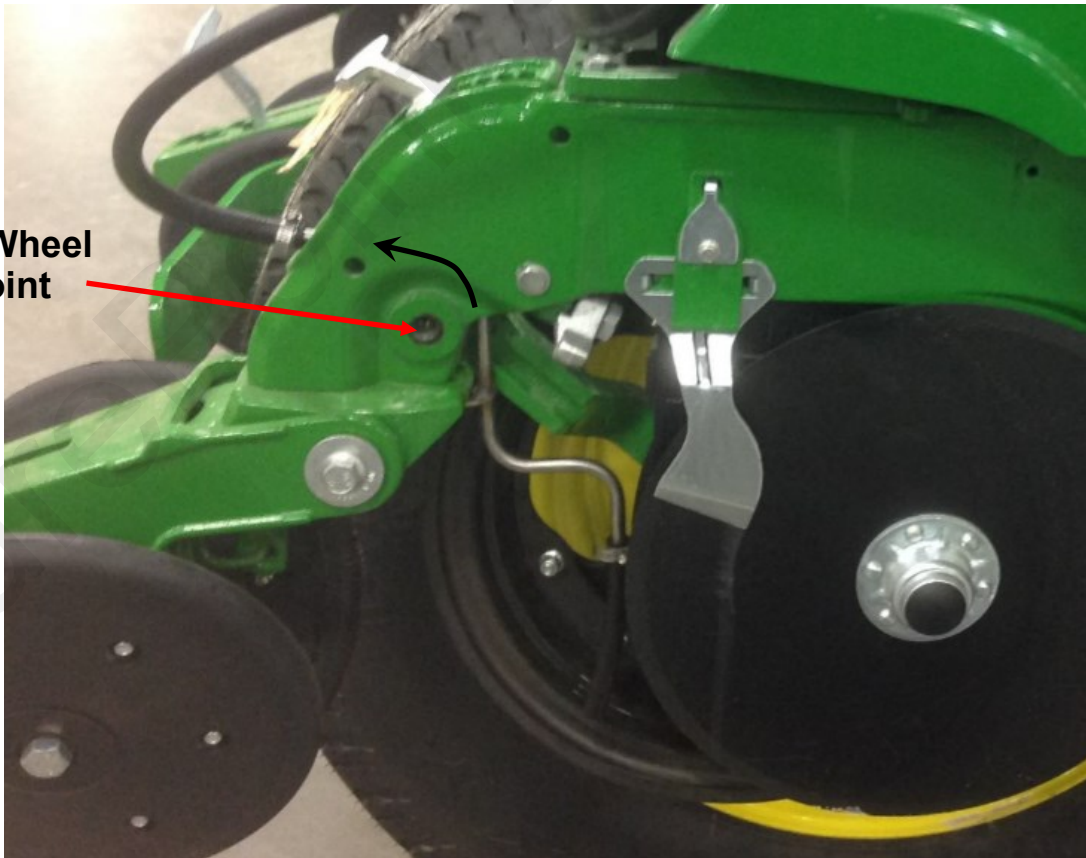
Installation Instructions...



General Instructions:

1. Remove one of the gauge wheels to install these tubes.
2. Remove the indicated bolt shown in picture above and set aside.
3. Feed tube up through middle of row unit above the pivot point for the gauge wheels as shown below.

**Gauge Wheel
Pivot Point**



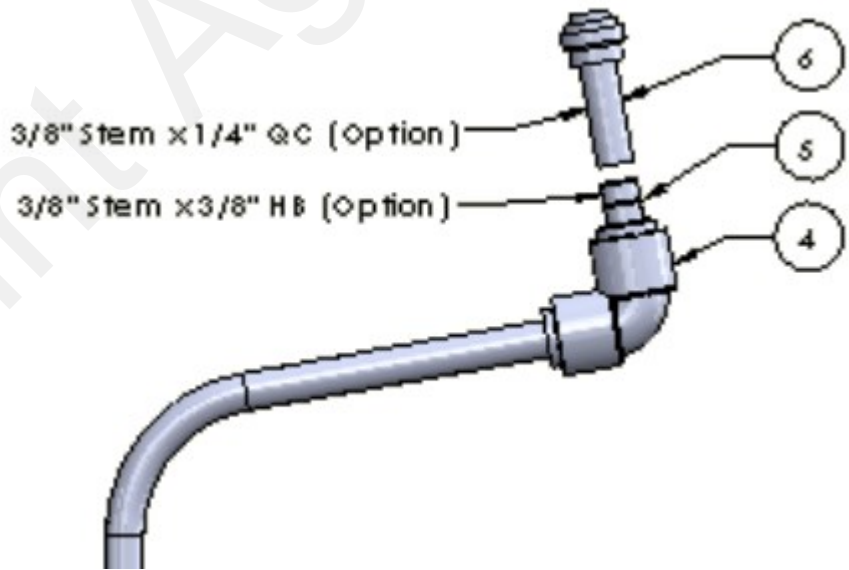
Installation Instructions...

General Instructions Continued:

- Once tube is in position, reinstall the bolt and tighten. Make sure the tube stays in line with the row unit itself for accurate placement in the center of the furrow.



↑
Front
of Planter



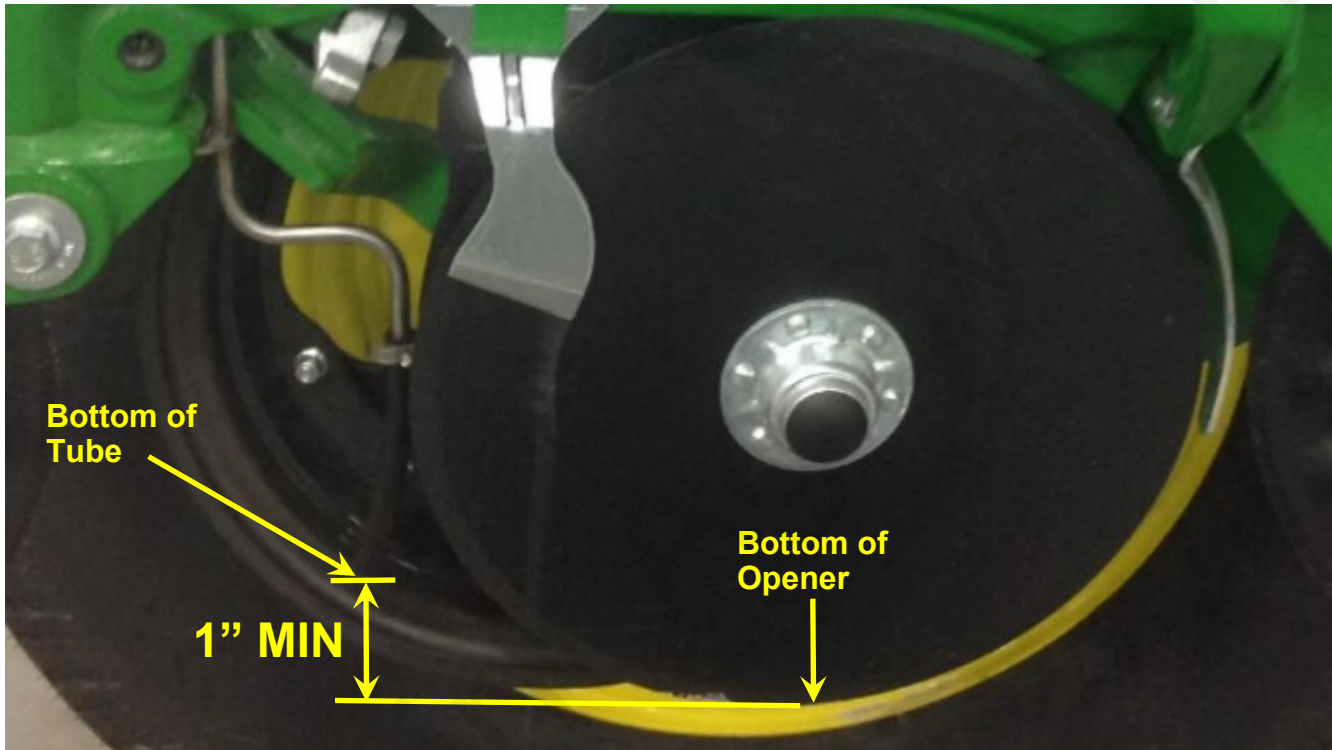
Included in the kit are quick connect plumbing fittings to attach the row plumbing to the fertilizer tube, whether it be for 1/4" metering tube, 3/8" tubing or 3/8" hose. See parts diagram above and/or page 1 for reference.

If you would like to clamp the hose directly to the inlet of the fertilizer tube without the included fittings that is ok as well, but please make sure to make a nice loop coming into fertilizer tube, so kinking does not become an issue.

Installation Instructions...



Note 1: After the tube is installed, make sure the discharge of the fertilizer hose at the bottom of the tube is at least an inch above the bottom of the openers. This will ensure that the hose won't drag in trench of the furrow and disturb seed placement. If it is too low, cut bottom of hose off accordingly. See diagram below...



Examples of **INCORRECT** Installation



It is very important to make sure that the stainless tube is mounted in-line of the row unit so that the discharge of the EVA hose is centered between the disc openers after the mounting bolt is tightened.

The picture below shows the discharge of hose off-line/center, indicating that the stainless tube is not mounted in-line of the row unit causing fertilizer to pour onto the inside of the gauge wheels which will cause major damage.



Examples of **INCORRECT** Installation



Problem: Bottom of EVA Tubing is wearing down and may be disturbing seed placement.

Solution: 1. Trim bottom of EVA Tubing so that it is not making contact with soil to prevent wear and to not disturb seed placement (SEE PAGE 6, NOTE 1).

