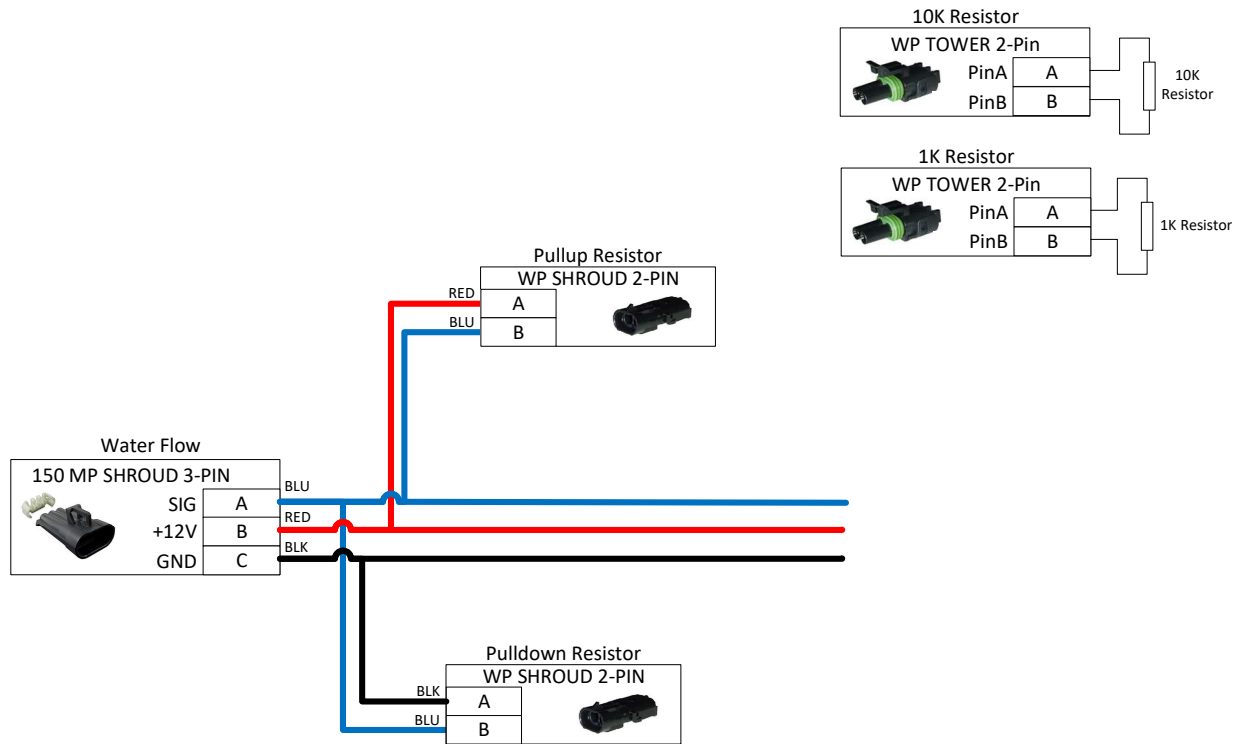


396-3723Y1

Marksman Water Flow Meter Wiring Document



Wiring up a Water Meter to the Marksman with the 208-08-3717Y1 Harness

First, consult the meter’s manual for voltage requirements and wiring instructions. If wired improperly, it is possible to damage the meter. It must be determined if the meter is a two or three wire interface. Does the meter require power, ground, and signal wires? Does it just call for signal and ground or just signal and power? If a ‘Shield’ connection is shown, most times that can be tied in with the ground wire, but check the manual first. If the +12V or ground lead isn’t used, cap it off with a wire nut.

Next, try the meter without a pullup or pulldown resistor connected to the harness (dust caps should be the only thing plugged into the ‘Pullup’ and ‘Pulldown’ connectors). Following the Marksman manual, set up the calibration for your meter by entering pulses/gallon. On the “Diag 3” screen of the advanced setup menus of the Marksman controller, there is a line called “WTR PULSES”. When you have water flow, that number should increase to 255 and roll over back to 0. If you aren’t receiving pulses on the Marksman, remove the dust cap from the ‘Pullup’ connector and plug in the ‘10K Resistor’. If this doesn’t work, place the dust cap back on the ‘Pullup’ connector and try the ‘10K Resistor’ in the ‘Pulldown’ connector. If this doesn’t result in registered flow, repeat the process using the ‘1K Resistor’ in place of the ‘10K Resistor’. Make sure not to have a resistor plugged in both the ‘Pullup’ and ‘Pulldown’ connectors at the same time. Replace the dust cap on any unused connection.

Part No:	396-3723Y1	Drawn By:	Dirk Ricker		
Description:	Marksman Water Flow Meter Wiring Document	Last Edit Date:	10/30/2018	Revision	A-01
Copyright 2016-2023 SurePoint Ag Systems, Reproduction or other use of drawing without express written permission from SureFire Ag Systems is forbidden		Page of Pages	1	of	1