



# 396-3368Y1

## QuickDraw-15 Gallon Swing Down Eductor Tank

**Kit Number: 606-02-100100**  
**15 Gallon Swing-Down Eductor**  
**Tank Kit Without Chem-Blade®**



**Kit Number: 606-02-100150**  
**15 Gallon Swing-Down Eductor Tank**  
**Kit With Chem-Blade®**

**CHEM-BLADE**  
ORIGINAL

**QuickDraw**  
SPRAY TENDER SYSTEM  
**3000**

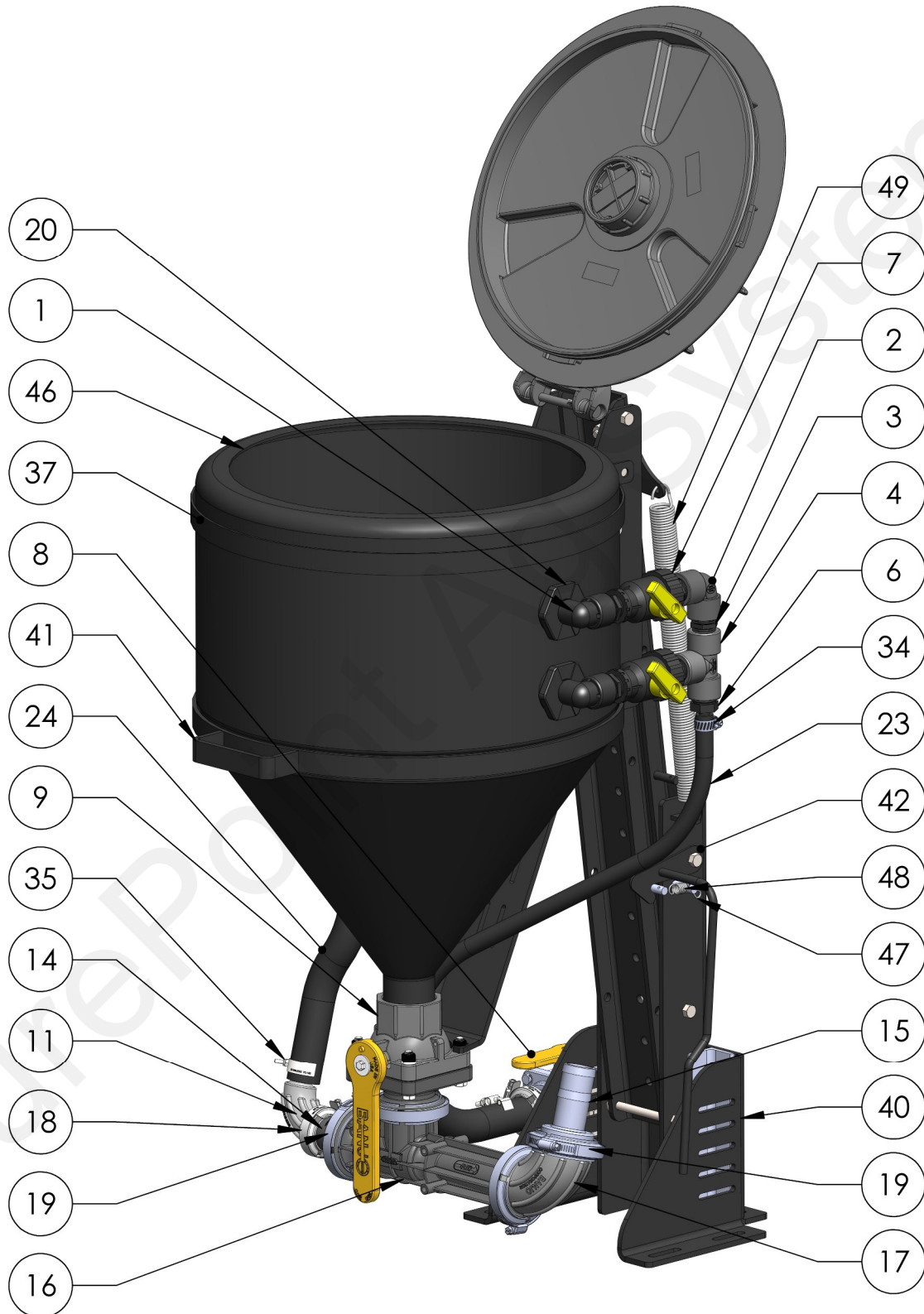


# 476-4178Y1 Replacement Parts List (Main Tank Assembly)

ITEM NO.	PART NUMBER	DESCRIPTION	QTY
1	100-075075SL-90	3/4" Street Elbow - 90 Degree	2
2	100-075EL-90	3/4" Pipe Elbow - 90 Degree	1
3	100-075NIP-SH	3/4" Short Nipple	5
4	100-075TEE	3/4" Pipe Tee	1
5	101-075050-90	3/4" MPT x 1/2" HB - 90 Degree	2
6	101-075050-H	3/4" MPT x 1/2" HB	1
7	102-075SUBV	3/4" Union Valve	2
8	102-100MVCF	1" Manifold Full Port Poly Valve	1
9	102-220MVSFP	2" Manifold Full Port Poly Valve x 2" FPT	1
10	105-100BRB	1" Manifold x 1" HB	1
11	105-100BRBSWP90	1" Manifold x 1" HB - 90 Degree Sweep	1
12	105-100G-H	1" EPDM Manifold Gasket	2
13	105-200G-H	(FOR FC220s) 2" EPDM Manifold Gasket for 220 Series Manifold Fittings	1
14	105-220100CPG	2" Full Port Manifold x 1" Manifold - Reducer Coupling	1
15	105-220150BRB	2" Full Port Manifold x 1-1/2" HB	1
16	105-220-3371-0038	2" Full Port Manifold Venturi, 11mm Nozzle, RH	1
17	105-220SWP90	2" Full Port Manifold Sweep - 90 Degree	1
18	105-FC100	1" Manifold Clamp	2
19	105-FC220	2" Full Port Manifold Clamp	4
20	108-TF075	3/4" Tank Bung	2
21	113-01-050050	Stem to HB - 1/2" Stem x 1/2" HB	1
22	113-12-050050	Stem Elbow - 1/2" Stem x 1/2" QC	1
23	280-050-AG200	1/2" AG200 Bulk	36
24	280-100-WBS	1" Wire Braided Suction Hose	72
25	300-040012-SS	1/4" x 3/4" Hex Head Bolt -SS	2
26	300-060100-5	3/8" x 1" Hex Head Bolt - G5	6
27	300-060108-5	3/8" x 1-1/2" Hex Head Bolt - G5	9
28	300-060500-5	3/8" x 5" Hex Head Bolt - G5	4
29	321-04-SS	1/4" Nylock Nut - SS	2
30	321-06	3/8" Nylock Nut	13
31	323-06	3/8" Flange Nut	6
32	330-04-SS	1/4" Flat Washer - SS	2
33	330-06	3/8" Flat Washer	9
34	350-0605	SS Hose Clamp - Size 6 - 7/8" Diameter (fits 3/8" and 1/2" AG200)	2
35	350-TC130	T-Bolt Hose Clamp - 1" Diameter (fits 1" Enforcer)	2
36	398-30-2242Y1	17 1/2" QuickDraw Max Grey Box Label	1
37	475-4078Y1-BK	Upper Tank Band - QuickDraw Swing-Down Eductor BOM	1
38	475-4079Y1-BK	Bolted Spring Bracket - QuickDraw Swing-Down Eductor BOM	1
39	475-4082Y1-BK	Tank Mounting Bracket - QuickDraw Swing-Down Eductor BOM	1
40	475-4083Y1-BK	Trailer Mounting Bracket - QuickDraw Swing-Down Eductor BOM	1
41	475-4086Y1-BK	Lower Tank Band Weldment - QuickDraw Swing-Down Eductor BOM	1
42	475-4087Y1-BK	Parallel Arm Latch Weldment - QuickDraw Swing-Down Eductor BOM	1
43	475-4130Y1-BK	Parallel Arm Base Mount Weldment - QuickDraw Swing-Down Eductor BOM	1
44	475-4131Y1-SS	1" Manifold Valve Mounting Bracket - QuickDraw Swing-Down Eductor BOM	1
45	475-4133Y1-BK	36" Parallel Linkage Weldment - QuickDraw Swing-Down Eductor BOM	2
46	727-05-INFD15-19MPT-HL-BLK	15 Gallon Black Inductor Tank w/ 2" MPT and 16" Hinged Lid	1
47	757-92375A100	316 Stainless Steel Hairpin Cotter Pin for 1/4" to 3/8" Clevis Pin Diameter, 0.078" Wire Diameter	1
48	757-9433K430	302 Stainless Steel Extension Springs with Hook Ends, 1.375" Long, 0.5" OD, 0.063" Wire Diameter	1
49	757-9533K21	Extension Spring, .120" Music Wire, 1.125" OD, 14.625", 16" Overall	2



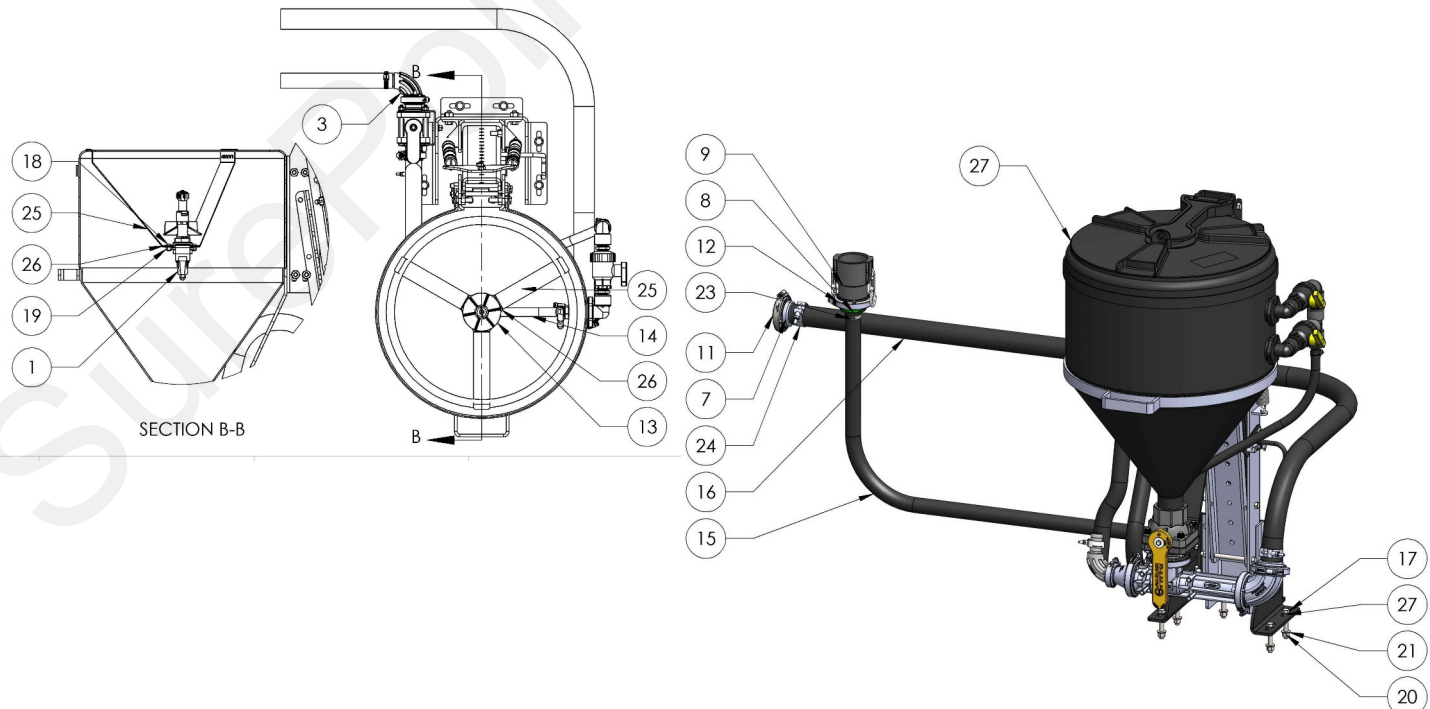
# 476-4178Y1 Replacement Parts List (Main Tank Assembly)





# 606-02-100100 Replacement Parts List (Jug Rinse Assembly)

ITEM NO.	PART NUMBER	DESCRIPTION	QTY
1	101-050050-90	1/2" MPT x 1/2" HB - 90 Degree	1
2	105-100BRB	1" Manifold x 1" HB	1
3	105-100BRBWP90	1" Manifold x 1" HB - 90 Degree Sweep	1
4	105-100G-H	1" EPDM Manifold Gasket	1
5	105-150G-H	1-1/2" EPDM Manifold Gasket for 200 Series Manifold fittings	1
6	105-200G-H	(FOR FC220s) 2" EPDM Manifold Gasket for 220 Series Manifold Fittings	1
7	105-200150BRB	2" Manifold x 1-1/2" HB	1
8	105-220100BRB	2" Full Port Manifold x 1" HB	1
9	105-220D	2" Full Port Manifold x 2" Female Coupler	1
10	105-FC100	1" Manifold Clamp	1
11	105-FC200	2" Manifold Clamp	1
12	105-FC220	2" Full Port Manifold Clamp	2
13	133-09-3400-0175	ProClean II Valve and Nozzle	1
14	280-050-AG200	1/2" AG200 Bulk	12 in
15	280-100-AG200	1" AG200 Bulk	15 ft
16	280-150-ENF	1-1/2" Enforcer Fertilizer Solution Hose	15 ft
17	300-060208-5	3/8" x 2-1/2" Hex Head Bolt - G5	6
18	304-040008-SS	Carriage Bolt - 1/4" x 1/2" SS	6
19	321-04-SS	1/4" Nylock Nut - SS	6
20	321-06	3/8" Nylock Nut	6
21	330-06	3/8" Flat Washer	12
22	350-0605	SS Hose Clamp - Size 6 - 7/8" Diameter (fits 3/8" and 1/2" AG200)	2
23	350-1608	SS Hose Clamp - Size 16 - 1-1/2" Diameter (fits 1" AG200)	2
24	350-TC181	Pressure Seal HD Clamp, Size 238 (fits 1 1/4" - 1 1/2" Enforcer, Wire Braided or AG200)	2
25	475-4180Y1-SS	Jug Rinse Arm Bracket for 16" Lid	3
26	475-4181Y1-SS	Jug Rinse Mounting Bracket for 16" Lid	1
27	476-4178Y1	QuickDraw 15 Gal Swing-Down Eductor BOM only	1
28	396-4234Y1	Swing Down Eductor Trailer Hole Template	1

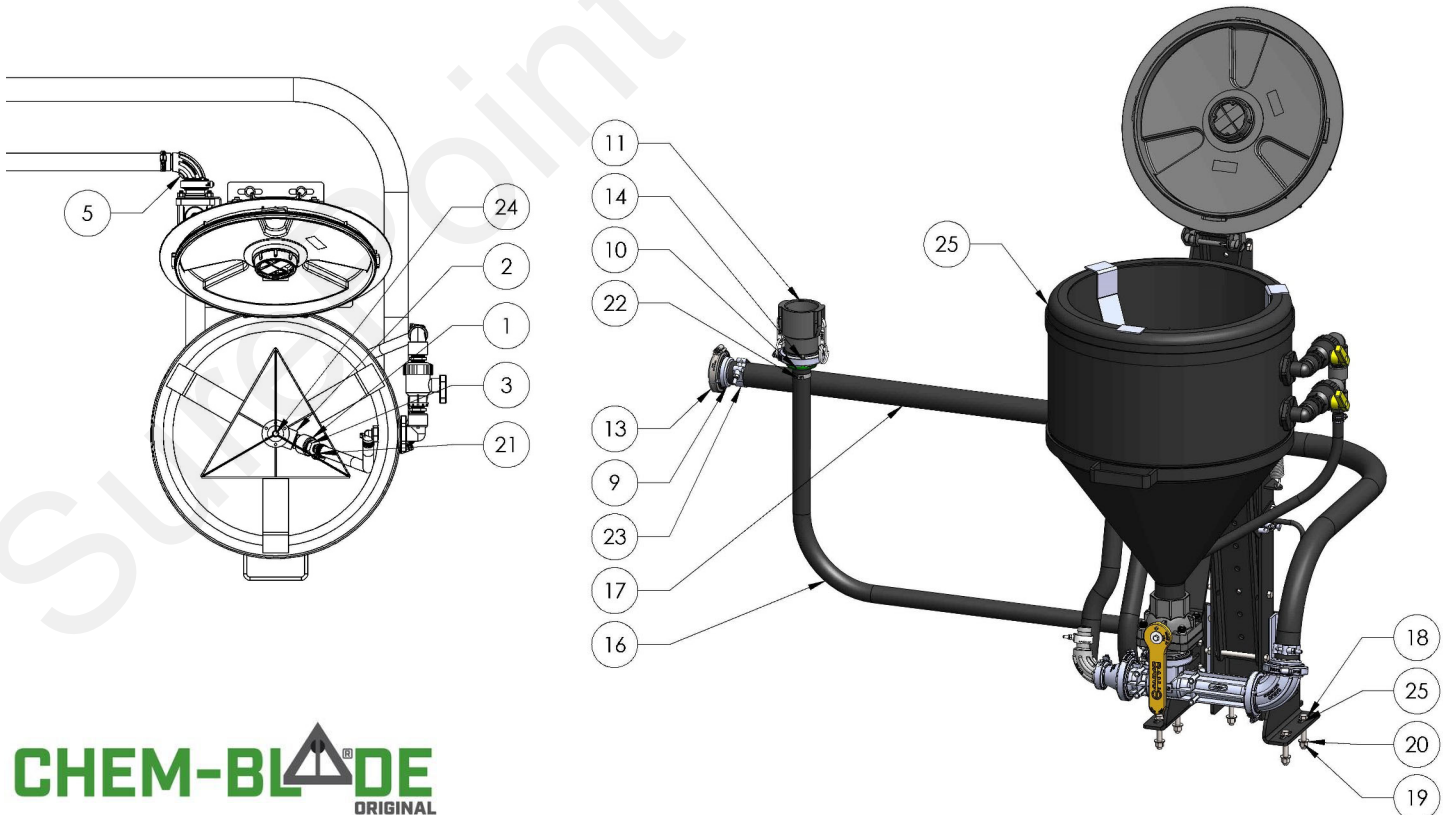






# 606-02-100150 Replacement Parts List (Chem-Blade® Assembly)

ITEM NO.	PART NUMBER	DESCRIPTION	QTY
1	100-075075SL-45	3/4" Street Elbow - 45 Degree	1
2	100-075EL-90	3/4" Pipe Elbow - 90 Degree	1
3	101-075050-H	3/4" MPT x 1/2" HB	1
4	105-100BRB	1" Manifold x 1" HB	1
5	105-100BRBSWP90	1" Manifold x 1" HB - 90 Degree Sweep	1
6	105-100G-H	1" EPDM Manifold Gasket	1
7	105-150G-H	1-1/2" EPDM Manifold Gasket for 200 Series Manifold fittings	1
8	105-200G-H	(FOR FC220s) 2" EPDM Manifold Gasket for 220 Series Manifold Fittings	1
9	105-200150BRB	2" Manifold x 1-1/2" HB	1
10	105-220100BRB	2" Full Port Manifold x 1" HB	1
11	105-220D	2" Full Port Manifold x 2" Female Coupler	1
12	105-FC100	1" Manifold Clamp	1
13	105-FC200	2" Manifold Clamp	1
14	105-FC220	2" Full Port Manifold Clamp	1
15	280-050-AG200	1/2" AG200 Bulk	12 in
16	280-100-AG200	1" AG200 Bulk	15 ft
17	280-150-ENF	1-1/2" Enforcer Fertilizer Solution Hose	15 ft
18	300-060208-5	3/8" x 2-1/2" Hex Head Bolt - G5	6
19	321-06	3/8" Nylock Nut	6
20	330-06	3/8" Flat Washer	12
21	350-0605	SS Hose Clamp - Size 6 - 7/8" Diameter (fits 3/8" and 1/2" AG200)	2
22	350-1608	SS Hose Clamp - Size 16 - 1-1/2" Diameter (fits 1" AG200)	2
23	350-TC181	Pressure Seal HD Clamp, Size 238 (fits 1 1/4" - 1 1/2" Enforcer, Wire Braided or AG200)	2
24	610-01-CB0016	Chem-Blade for QuickDraw Induction System	1
25	476-4178Y1	QuickDraw 15 Gal Swing-Down Eductor BOM only	1
26	396-4234Y1	Swing Down Eductor Trailer Hole Template	1



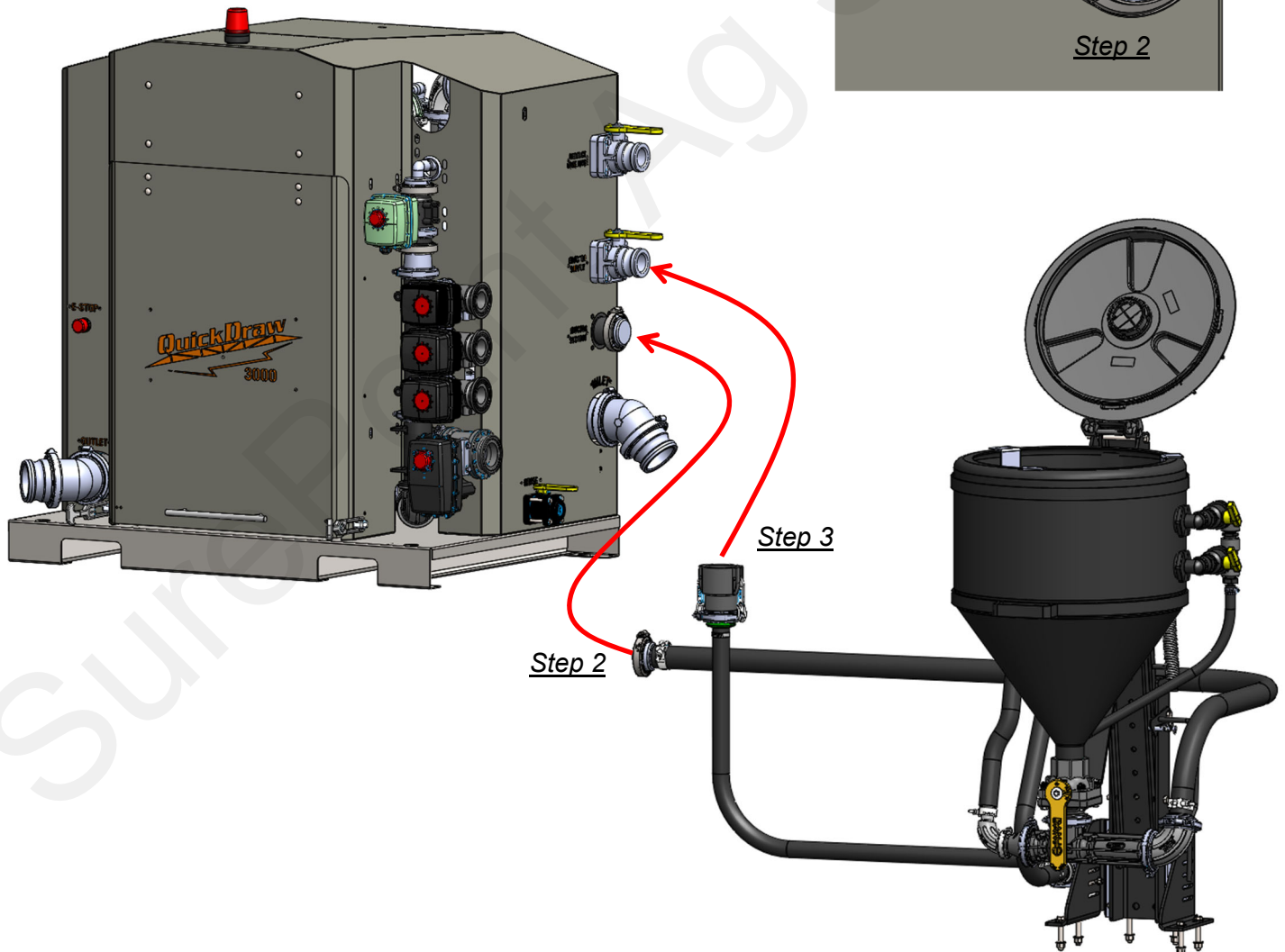
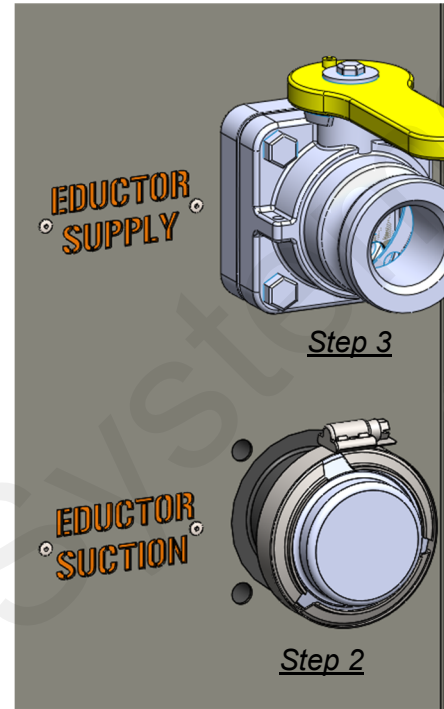


# Swing Down Eductor Kit Plumbing Installation - QuickDraw<sup>MAX</sup> 3000

Eductor system kits must be plumbed to the outlet/discharge side of the transfer pump for proper venturi operation. Installation location on sprayer tender trailer may vary.

## QuickDraw<sup>MAX</sup> Instructions:

1. Use the provided 396-4234Y1 - Trailer Mounting Template to drill hole pattern in trailer deck. Check swing clearance from the trailer edge and other obstructions.
2. With swing-down eductor in the lowered position, route 1-1/2" eductor outlet hose from the swing-down eductor and connect to the "Eductor Suction" port. (First, remove 2" cap and re-use clamp and gasket)
3. Route 1" eductor supply hose and connect female coupler to the "Eductor Supply" valve on the QuickDraw 3000<sup>MAX</sup>



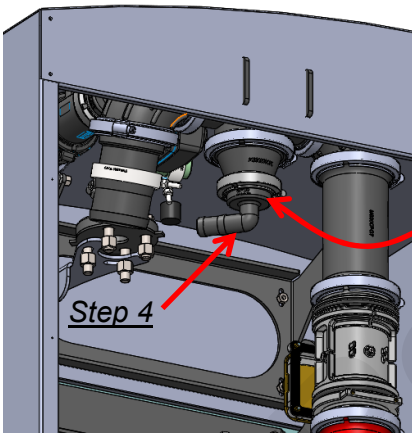
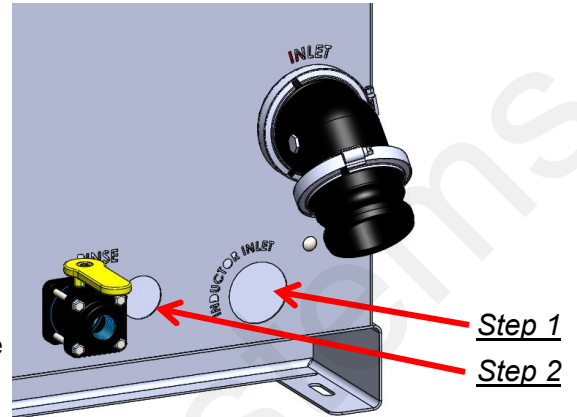


# Swing Down Eductor Kit Plumbing Installation - Gen 2 QuickDraw<sup>MAX</sup> Retrofit

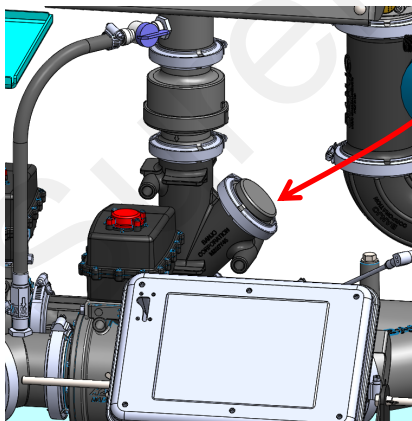
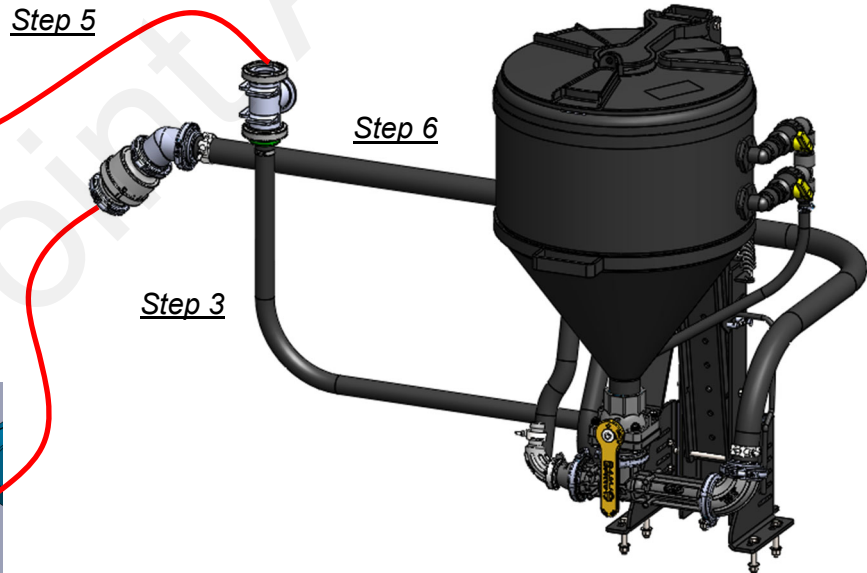
Eductor system kits must be plumbed to the outlet/discharge side of the transfer pump for proper venturi operation. Installation location on sprayer tender trailer may vary.

## QuickDraw<sup>MAX</sup> Instructions:

1. Use the provided 396-4234Y1 - Trailer Mounting Template to drill hole pattern in trailer deck. Check swing clearance from the trailer edge and other obstructions.
2. With swing-down eductor in the lowered position, route 1-1/2" eductor outlet hose from the swing-down eductor through hole in the side of the QuickDraw<sup>MAX</sup> cabinet.
3. Route 1" eductor inlet hose through hole in the side of the QuickDraw<sup>MAX</sup> cabinet.
3. Remove cap and connect check valve to the Y fitting inside QuickDraw<sup>MAX</sup>. *Note: Check valve arrow should be pointing towards the tee.*
4. Remove QuickDraw manifold rinse (2" Manifold x 1" HB - 90°) from 3" reducer coupling inside the QuickDraw Cabinet.
5. Connect 2" Manifold x 1" HB to 2" tee and connect 2" tee to reducer coupling inside the QuickDraw Cabinet.
6. Reconnect rinse to side leg of tee.



Step 5



ITEM NO.	PART NUMBER	DESCRIPTION	QTY
1	105-150G-H	1-1/2" EPDM Manifold Gasket for 200 Series Manifold fittings	2
2	105-200G-H	(FOR FC220s) 2" EPDM Manifold Gasket for 220 Series Manifold Fittings	3
3	105-200TEE	2" Manifold Tee	1
4	105-200100BRB	2" Manifold x 1" HB	1
5	105-220150BRB	2" Full Port Manifold x 1-1/2" HB	1
6	105-220CPG45	2" Full Port Manifold Coupling - 45 Degree	1
7	105-220CV	2" Full Port Manifold Check Valve	1
8	105-FC200	2" Manifold Clamp	2
9	105-FC220	2" Full Port Manifold Clamp	3



# Swing Down Eductor Kit Plumbing Installation - QuickDraw<sup>LITE</sup>

## QuickDraw<sup>LITE</sup> Instructions:

1. Use the provided 396-4234Y1 - Trailer Mounting Template to drill hole pattern in trailer deck. Check swing clearance from the trailer edge and other obstructions.
2. With swing-down eductor in the lowered position, route 1-1/2" eductor outlet hose from the 1-1/2" venturi outlet to the QuickDraw<sup>LITE</sup>. Remove cap and connect check valve to the Y fitting. *Note: Check valve arrow should be pointing towards the Y.*
3. Route 1" eductor inlet hose from the rinse manifold of the QuickDraw<sup>LITE</sup> and connect to swing-down eductor 1" valve.

