



396-3302Y1

12" Tall Z-Mount Tank Bracket Installation Instructions

Kit Number: 526-01-100400

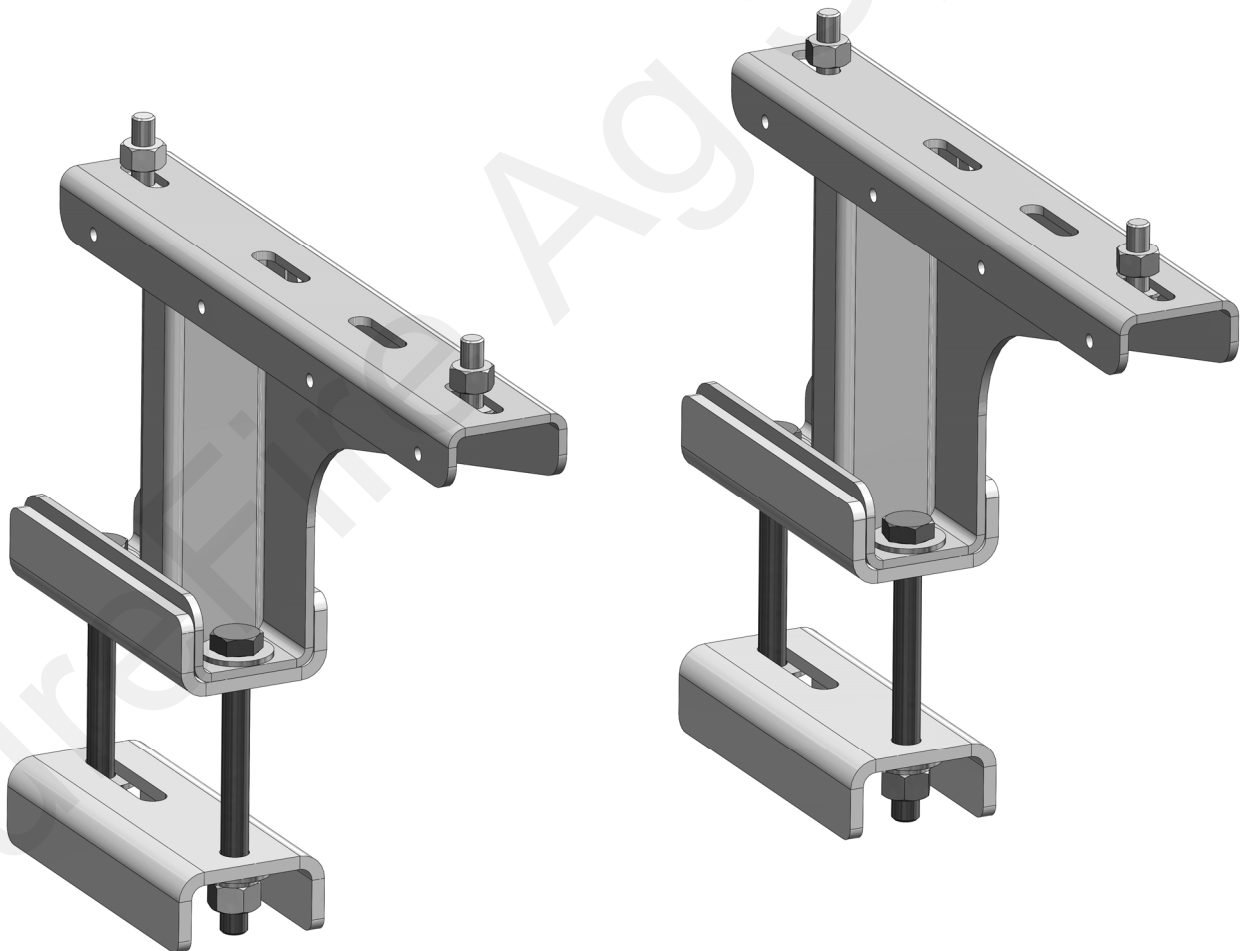
Kit Description: Z-Mount Tank Mounting Kit (Fits 4"-7"W x 5"H bars)

Kit Number: 526-01-100500

Kit Description: Z-Mount Tank Mounting Kit (Fits 4"-7"W x 6"H bars)

Kit Number: 526-01-100600

Kit Description: Z-Mount Tank Mounting Kit (Fits 4"-7"W to 7"H bars)



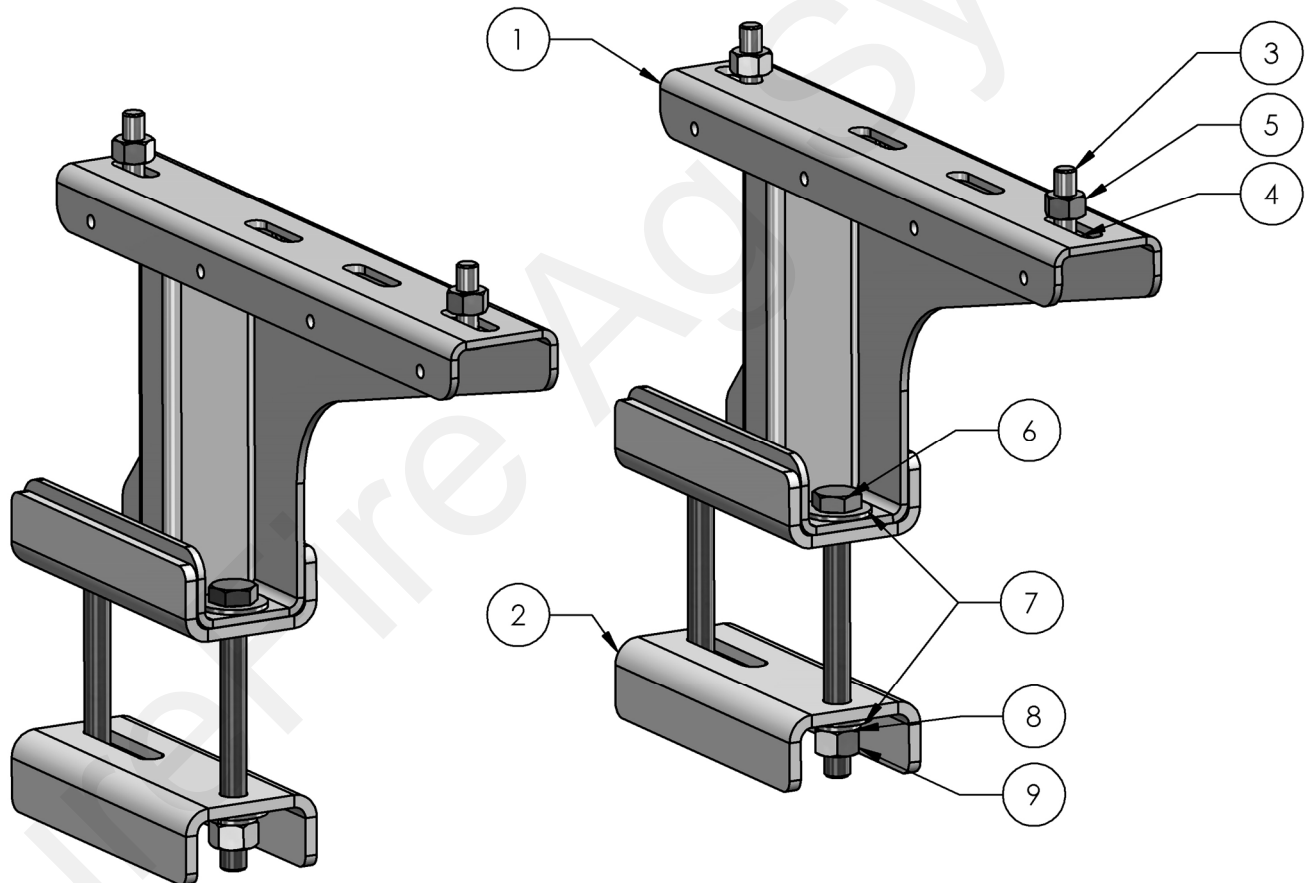


Parts List and Exploded View

Kit: 526-01-100400

(Fits 4"-7" Wide x 5" Tall Tool Bars)

ITEM NO.	PART NUMBER	DESCRIPTION	QTY.
1	420-3300Y1-BK	Z Mount Bracket - 12" Tall	2
2	400-2015A1-BK	Z Mount HD Backer Plate	2
3	300-100200-5	5/8" x 2" Bolt G5	4
4	330-10	5/8" Flat Washer	4
5	323-10	5/8" Flange Nut	4
6	300-120800-8	3/4" x 8" Bolt G8	4
7	330-12-8	3/4" Flat Washer G8	8
8	331-12-8	3/4" Lock Washer G8	4
9	323-12	3/4" Flange Nut	4



SureFire Accelerator (55, 110 and 155 gallon) or Catalyst™ (55 and 110 Gallon) tanks can be mounted above and offset from a toolbar using this z-mount bracket.

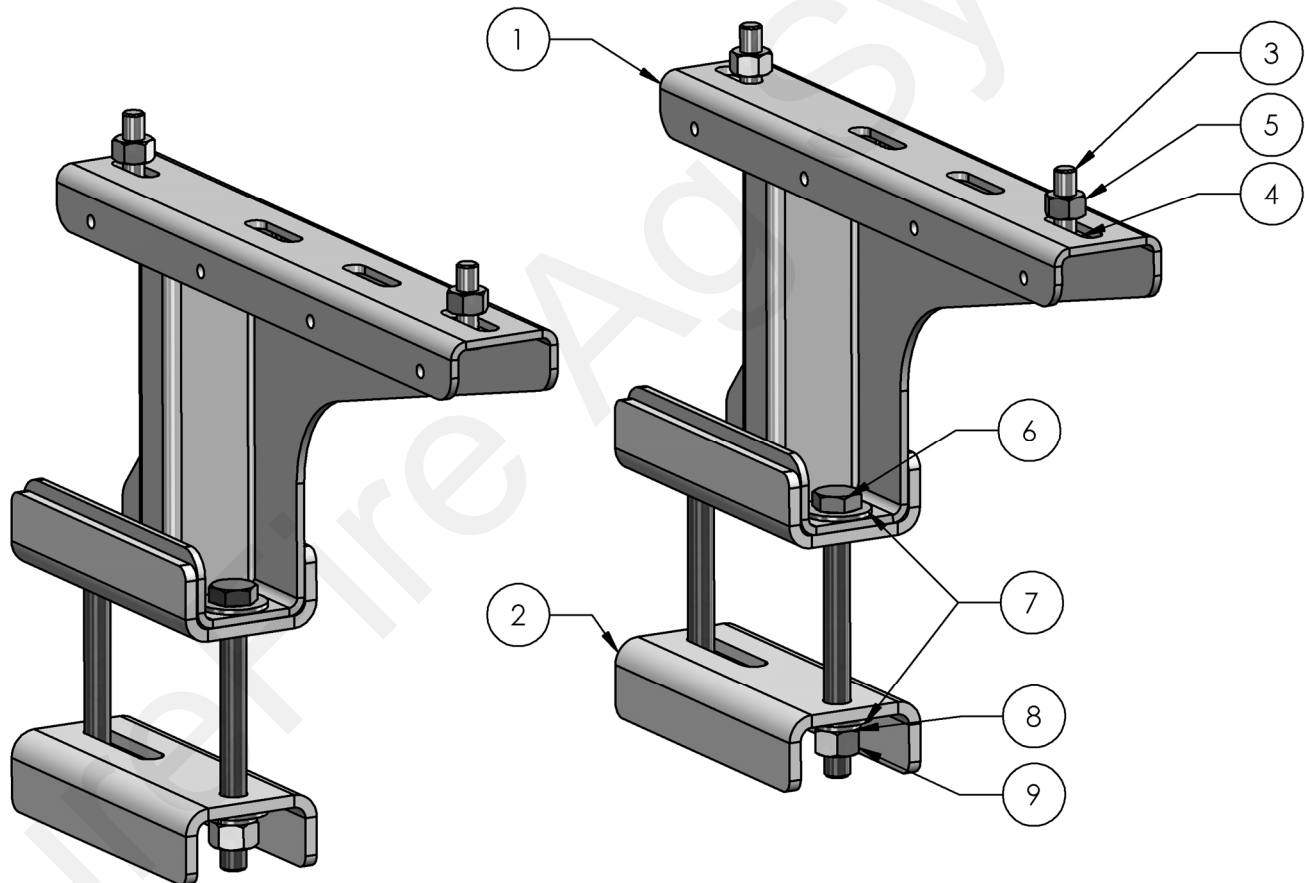


Parts List and Exploded View

Kit: 526-01-100500

(Fits 4"-7" Wide x 6" Tall Tool Bars)

ITEM NO.	PART NUMBER	DESCRIPTION	QTY.
1	420-3300Y1-BK	Z Mount Bracket - 12" Tall	2
2	400-2015A1-BK	Z Mount HD Backer Plate	2
3	300-100200-5	5/8" x 2" Bolt G5	4
4	330-10	5/8" Flat Washer	4
5	323-10	5/8" Flange Nut	4
6	300-120900-8	3/4" x 9" Bolt G8	4
7	330-12-8	3/4" Flat Washer G8	8
8	331-12-8	3/4" Lock Washer G8	4
9	323-12	3/4" Flange Nut	4



SureFire Accelerator (55, 110 and 155 gallon) or Catalyst™ (55 and 110 Gallon) tanks can be mounted above and offset from a toolbar using this z-mount bracket.

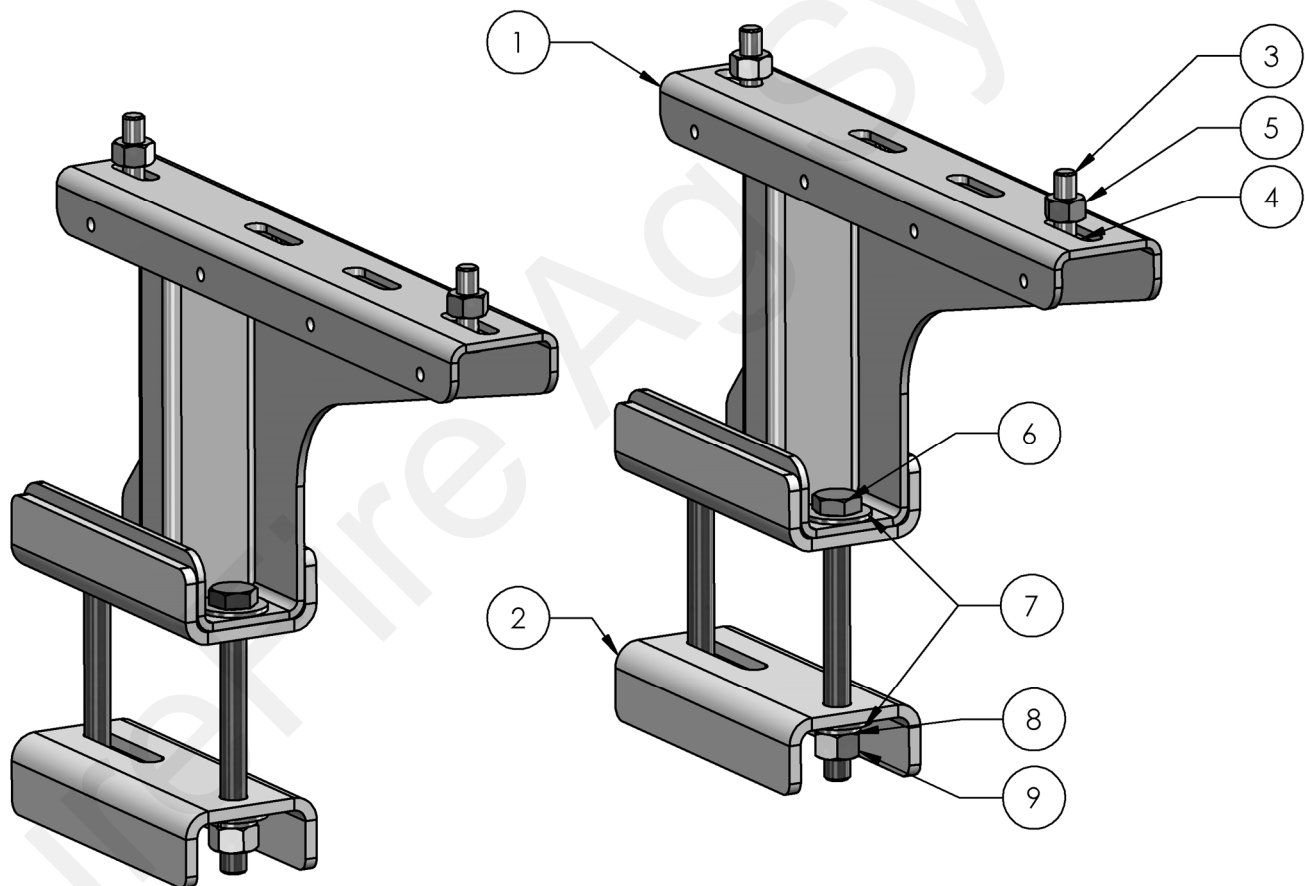


Parts List and Exploded View

Kit: 526-01-100600

(Fits 4"-7" Wide x 7" Tall Tool Bars)

ITEM NO.	PART NUMBER	DESCRIPTION	QTY.
1	420-3300Y1-BK	Z Mount Bracket - 12" Tall	2
2	400-2015A1-BK	Z Mount HD Backer Plate	2
3	300-100200-5	5/8" x 2" Bolt G5	4
4	330-10	5/8" Flat Washer	4
5	323-10	5/8" Flange Nut	4
6	300-121000-8	3/4" x 10" Bolt G8	4
7	330-12-8	3/4" Flat Washer G8	8
8	331-12-8	3/4" Lock Washer G8	4
9	323-12	3/4" Flange Nut	4



SureFire Accelerator (55, 110 and 155 gallon) or Catalyst™ (55 and 110 Gallon) tanks can be mounted above and offset from a toolbar using this z-mount bracket.

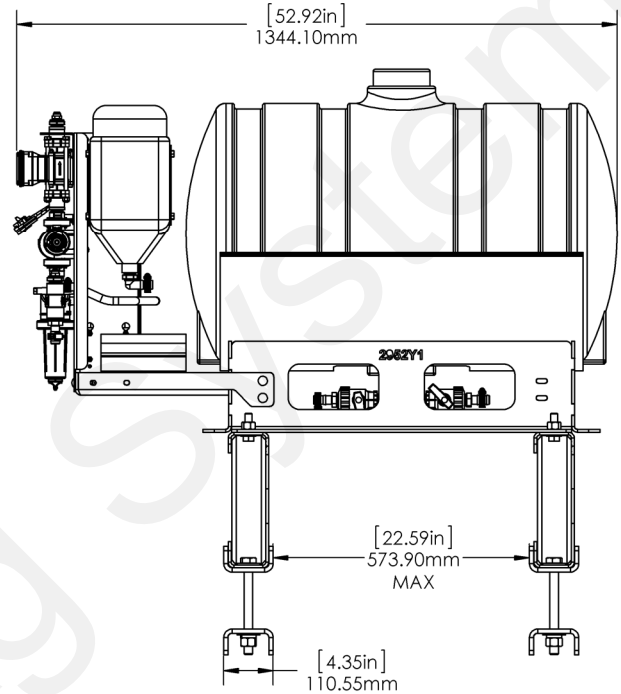
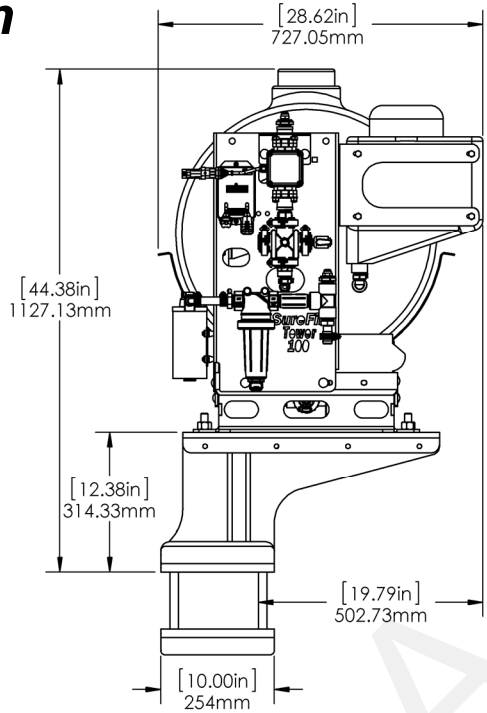


General Dimensions SureFire Catalyst™ System

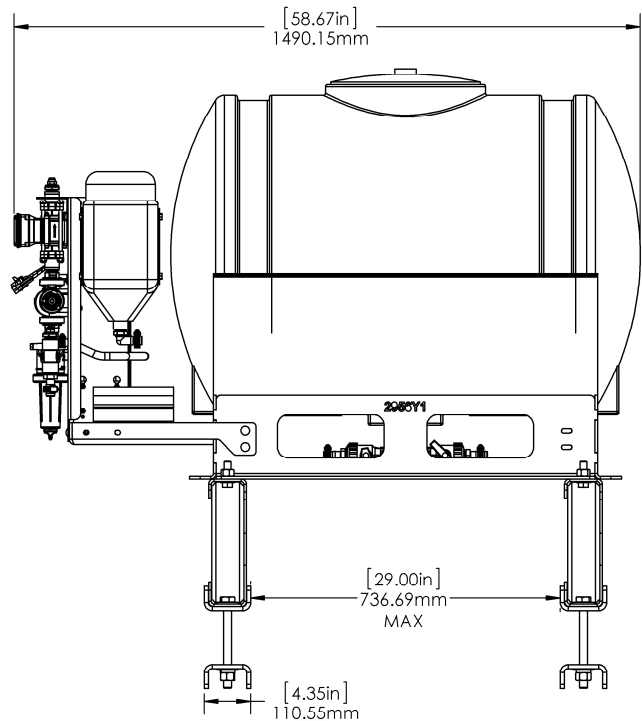
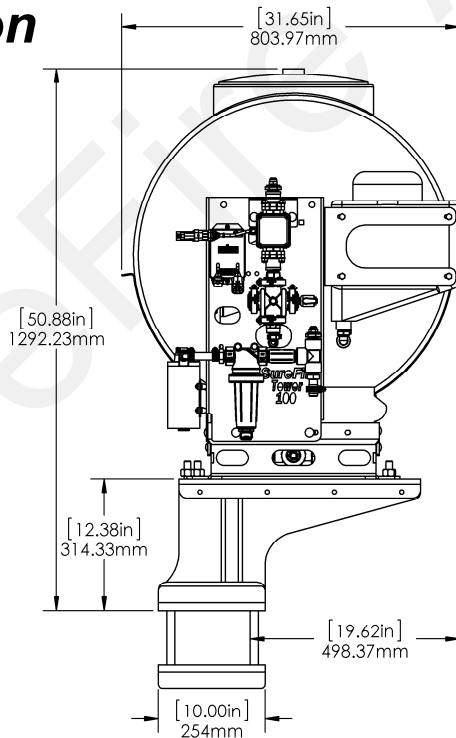
CATALYST MICRO VOLUME APPLICATION SYSTEM

The mounting brackets can be adjusted under the Catalyst™ tank base using any of the multiple slots in the tank base for flexible mounting options.

55 Gallon

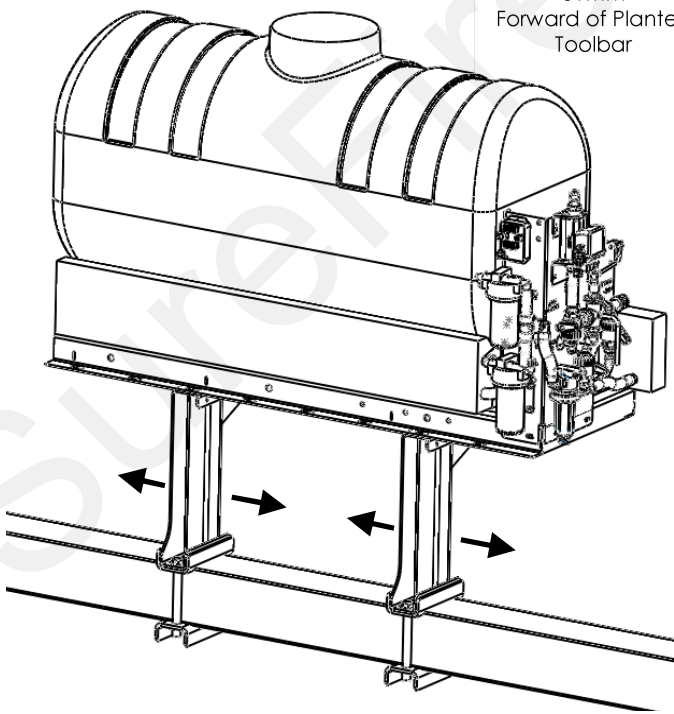
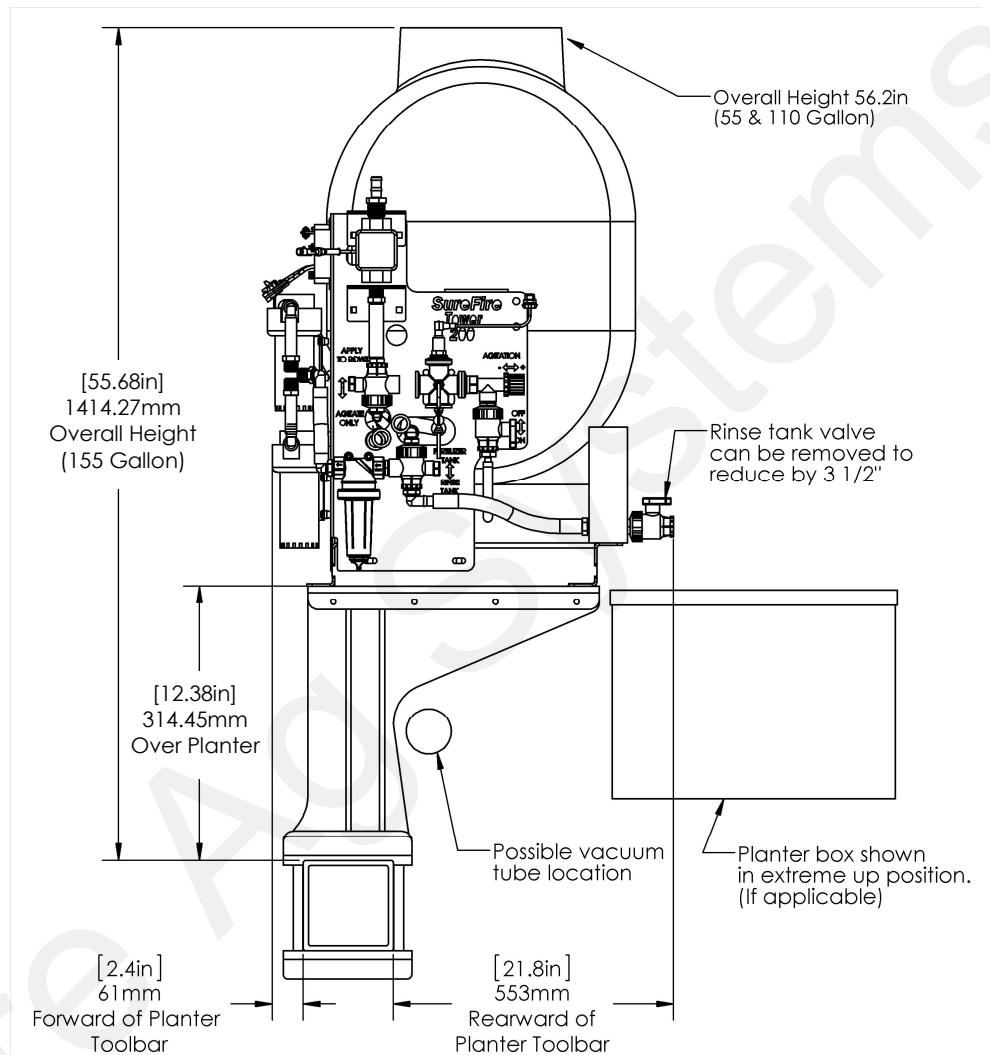


110 Gallon





SureFire Accelerator Tanks General Dimensions



The mounting brackets can be adjusted under the Accelerator Tank base using any of the multiple slots in the tank base for flexible mounting options.



SureFire Accelerator Tanks General Dimensions

