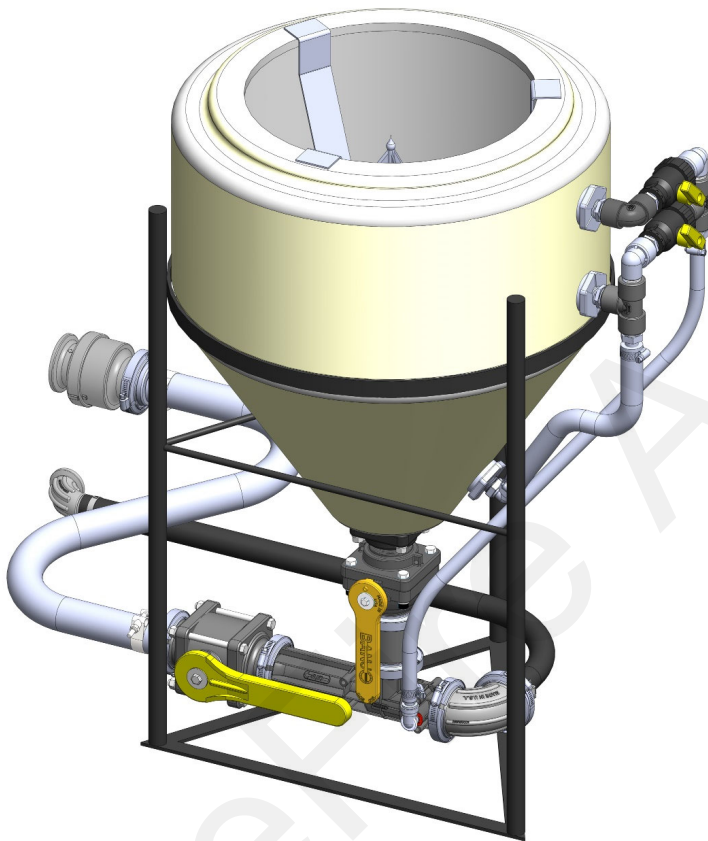




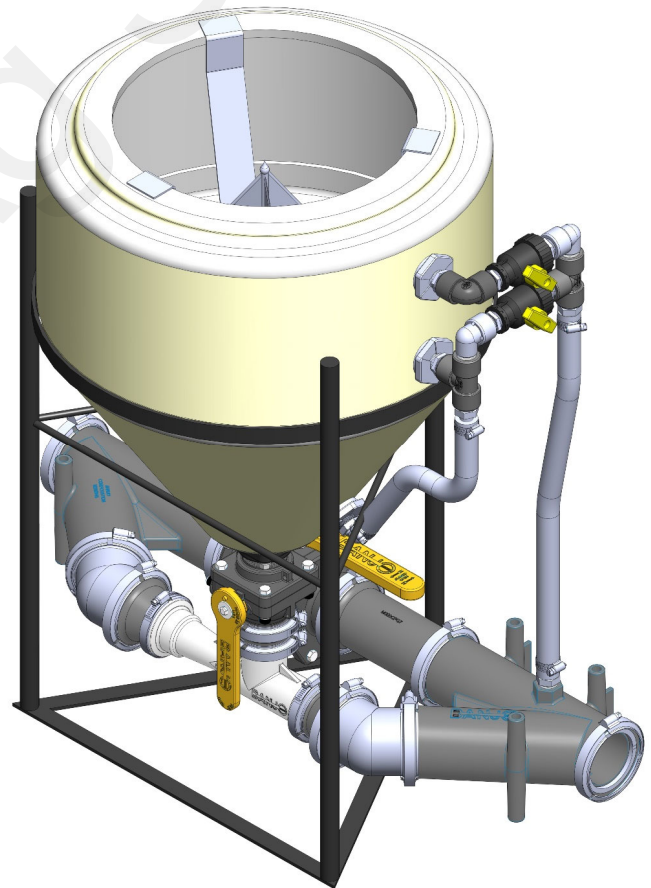
396-3275Y1

QuickDraw Chem-Blade ES Eduction System Kit Instruction Manual

CHEM-BL  DE



**QuickDraw Chem-Blade ES
Eductor Kit - No 3" Bypass
Kit Number: 606-02-100400**

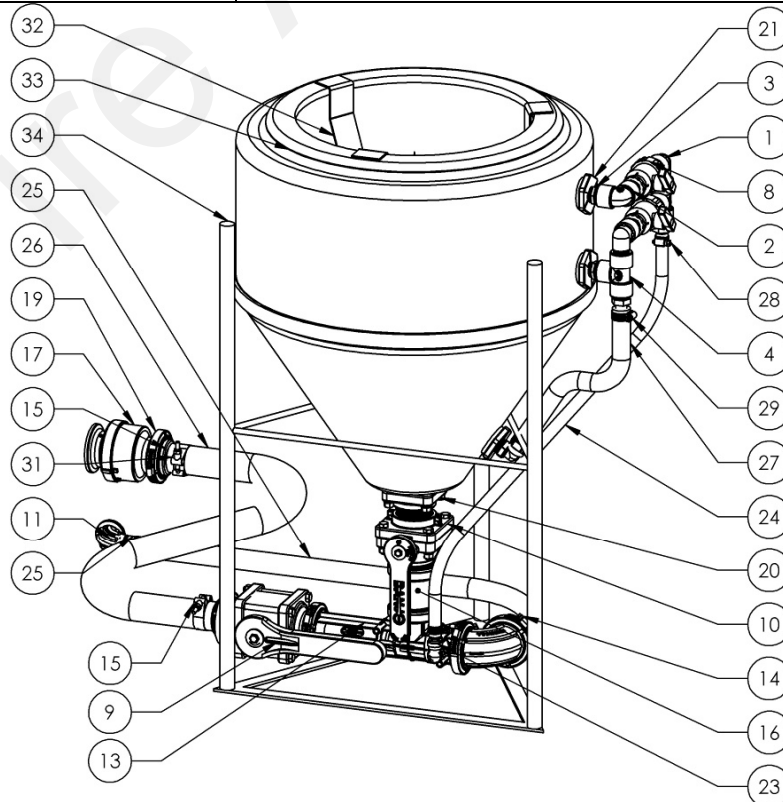


**QuickDraw Chem-Blade ES
Eductor Kit - w/ 3" Bypass
Kit Number: 606-02-100500**



606-02-100400 Replacement Parts List

ITEM NO.	PART NUMBER	DESCRIPTION	QTY.
1	100-075075SL-90	3/4" Street Elbow - 90 Degree	2
2	100-075EL-90	3/4" Pipe Elbow - 90 Degree	2
3	100-075NIP-SH	3/4" Short Poly Nipple	6
4	100-075TEE	3/4" Poly Tee	2
5	101-075050	3/4" MPT x 1/2" HB	1
6	101-075075	3/4" MPT x 3/4" HB	2
7	101-075075-90	3/4" MPT x 3/4" HB - 90 degree	4
8	102-075SUBV	3/4" Union Valve 2 Way	2
9	102-220MVCF	2" Full Port Flange Ball Valve	1
10	102-220MVSMTFP	2" Manifold x 2" MPT Valve	1
11	105-100BRBSWP90	1" Flange X 90° Sweep Hose Barb	1
12	105-200G-H	2" EPDM Manifold Gasket for 220 Series Fittings	4
13	105-220-3371-0038R	2" Full Port Manifold Venturi, 11mm Nozzle, RH	1
14	105-220125BRB	2" Full Port Manifold x 1-1/4" HB	1
15	105-220150BRB	2" Full Port Manifold x 1 1/2" HB	2
16	105-220CPG	2" X 2" Full Port Flange X 2 31/32" Long	1
17	105-220CV	2" Manifold Check Valve	1
18	105-220SWP90	2" Full Port 90° Sweep	1
19	105-FC220	2" Full Port Manifold Clamp	7
20	108-BF200BD	2" Bolted Tank Flange Bottom Drain	1
21	108-TF075	3/4" Tank Bung	3
22	113-01-050050	1/2" Stem x 1/2" Hose Barb	1
23	113-12-050050	Stem Elbow - 1/2" Stem x 1/2" QC	1
24	280-050-AG200	3/4" AG200 Hose - Bulk	48
25	280-100-AG200	1" AG200 Hose - Bulk	15ft
26	280-150-ENF-0002	1-1/2" Enforcer Fertilizer Solution Hose	15ft
27	280-AG200-075	3/4" AG Hose - Bulk	36"
28	350-0605	SS Hose Clamp - Size 6 - 7/8" Diameter	2
29	350-1208	SS Hose Clamp - Size 12 - 1-1/4" Diameter	4
30	350-1608	1" Hose Clamp	2
31	350-TC181	T-Bolt Hose Clamp - 1.81 - 2.06" Diameter	2
32	399-CB0016	Chem-Blade for QuickDraw Induction System	1
33	727-05-IN0030-24	24" Inductor Tank - 30 Gallon (Norwesco)	1
34	727-29-INFD15ST	24 inch full drain inductor stand	1



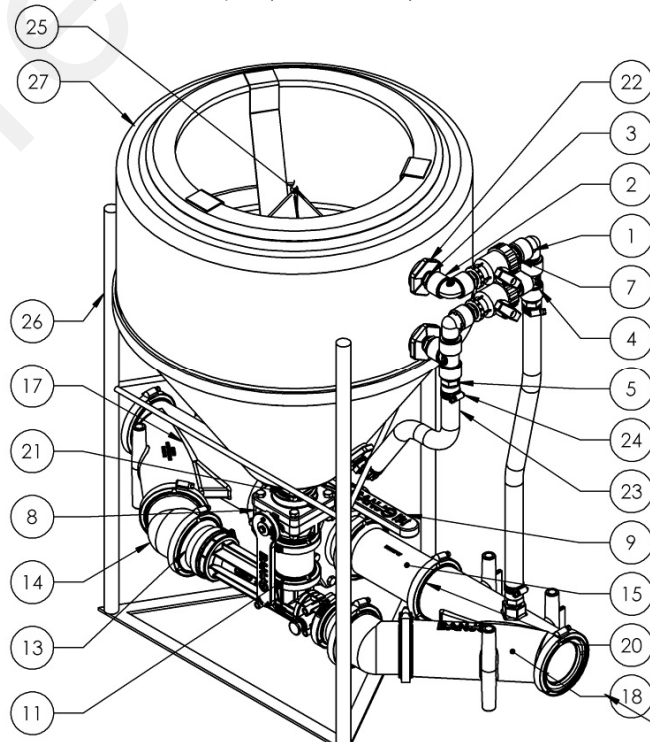


606-02-100500 Replacement Parts List

ITEM NO.	PART NUMBER	DESCRIPTION	QTY.
1	100-075075SL-90	3/4" Street Elbow - 90 Degree	2
2	100-075EL-90	3/4" Pipe Elbow - 90 Degree	2
3	100-075NIP-SH	3/4" Short Poly Nipple	6
4	100-075TEE	3/4" Poly Tee	2
5	101-075075	3/4" MPT x 3/4" HB	4
6	101-075075-90	3/4" MPT x 3/4" HB - 90 degree	4
7	102-075SUBV	3/4" Union Valve 2 Way	2
8	102-220MVSMTFP	2" Manifold x 2" MPT Valve	1
9	102-301MVCF	3" Manifold Full Port Poly Valve	1
10	105-200G-H	2" EPDM Manifold Gasket for 220 Series Manifold Fittings	4
11	105-220CPG	2" x 2" Full Port Flange - 2-31/32" Long	1
12	105-220-3371-0038R	2" Full Port Manifold Venturi, 11mm Nozzle, RH	1
13	105-300220CPG	3" x 2" Full Port Coupling	2
14	105-300CPG45	3" Full Port 45° Coupling	2
15	105-300CPG7	3" x 3" Full Port Flange Coupling, 7" Long	1
16	105-300G	3" EPDM Manifold Gasket	9
17	105-300Y45	3" Full Port 45° Y Flange	1
18	105-300YG45	3" Full Port 45° Y Flange w/ 3/4" Gauge Port	1
19	105-FC220	2" Full Port Manifold Clamp	4
20	105-FC300	3" Manifold Clamp	9
21	108-BF200BD	2" Bolted Tank Flange Bottom Drain	1
22	108-TF075	3/4" Tank Bung	3
23	280-AG200-075	3/4" AG200 Bulk - 60"	1
24	350-1208	SS Hose Clamp - Size 12 - 1-1/4" Diameter	6
25	399-CB0016	Chem-Blade for QuickDraw Induction System	1
26	727-29-INFD15ST	24 inch full drain inductor stand	1
27	727-05-IN0030-24	24" Inductor Tank - 30 Gallon	1

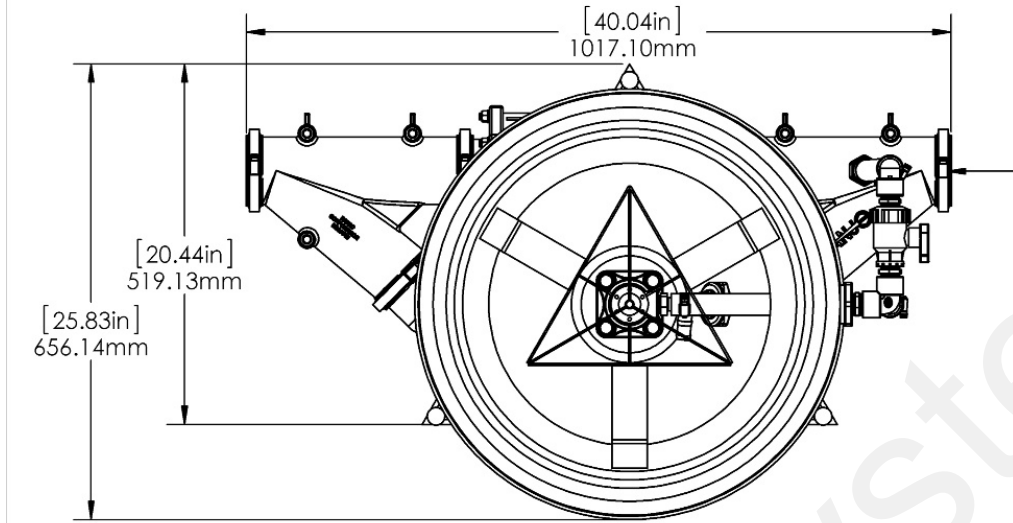
Suggested Items:

1. Qty (2) 3" Manifold x 3" HB (P/N 105-300BRB)
2. Qty (2) 3" Manifold x 3" Quick Coupler Male Adapter (P/N 105-300A)

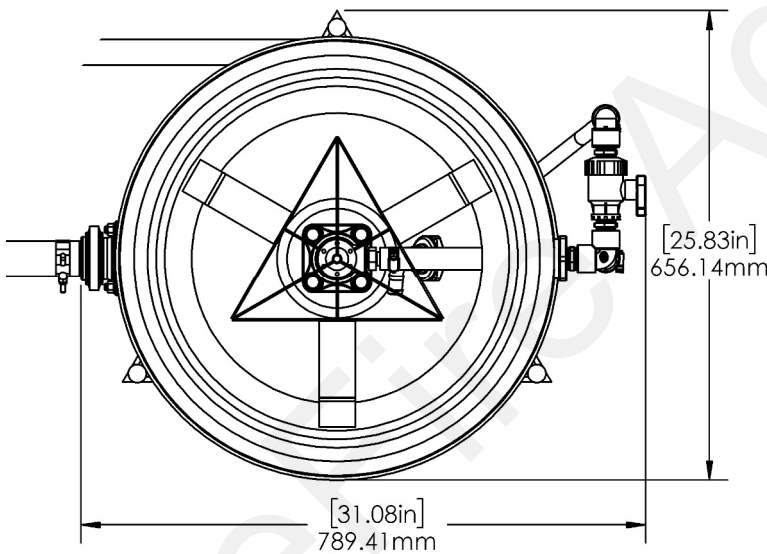




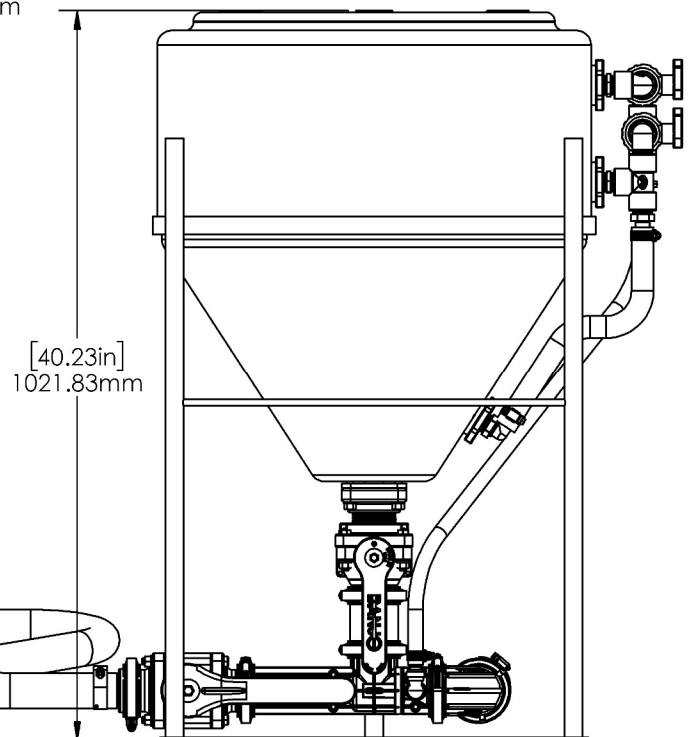
Assembled Dimensions



**QuickDraw Chem-Blade ES
Eductor Kit - w/ 3" Bypass
Kit Number: 606-02-100500**



**QuickDraw Chem-Blade ES
Eductor Kit - No 3" Bypass
Kit Number: 606-02-100400**

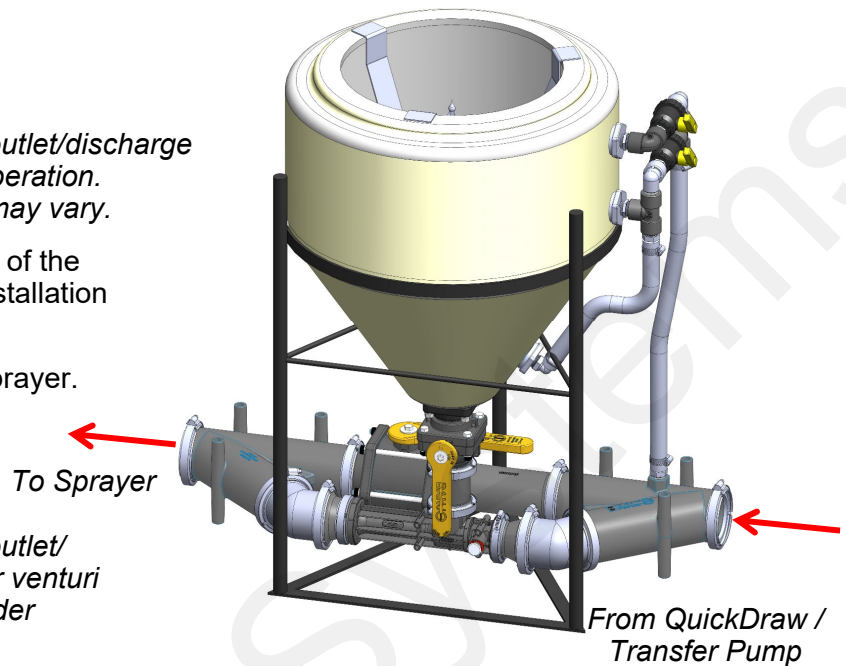


Plumbing Instructions

3" Bypass System Kit Installation:

Eductor system kits must be plumbed to the outlet/discharge side of the transfer pump for proper venturi operation. Installation location on sprayer tender trailer may vary.

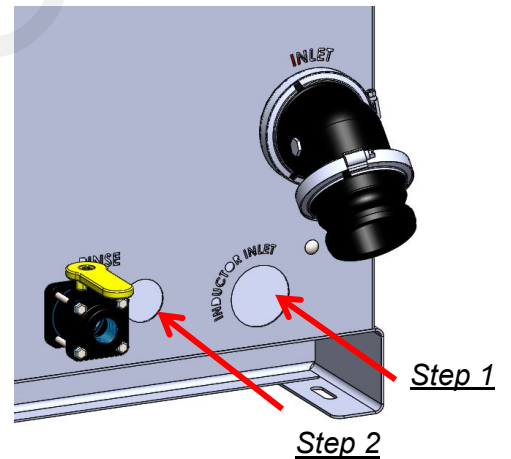
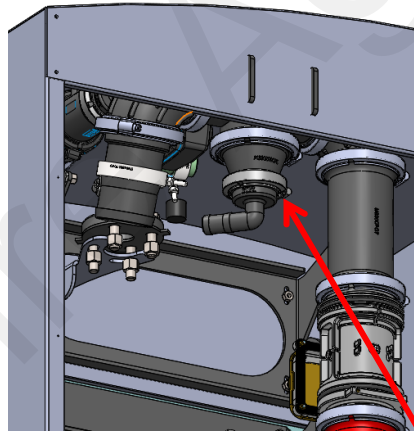
1. Connect 3" inlet port to the discharge side of the QuickDraw or transfer pump. Preferred installation location is downstream of the QuickDraw.
2. Connect 3" outlet port of inductor to the sprayer.



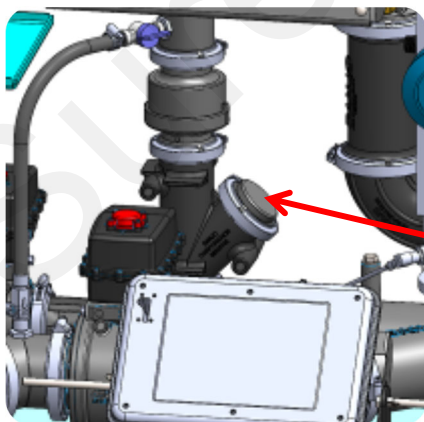
No 3" Bypass System Kit Installation:

Eductor system kits must be plumbed to the outlet/discharge side of the transfer pump for proper venturi operation. Installation location on sprayer tender trailer may vary.

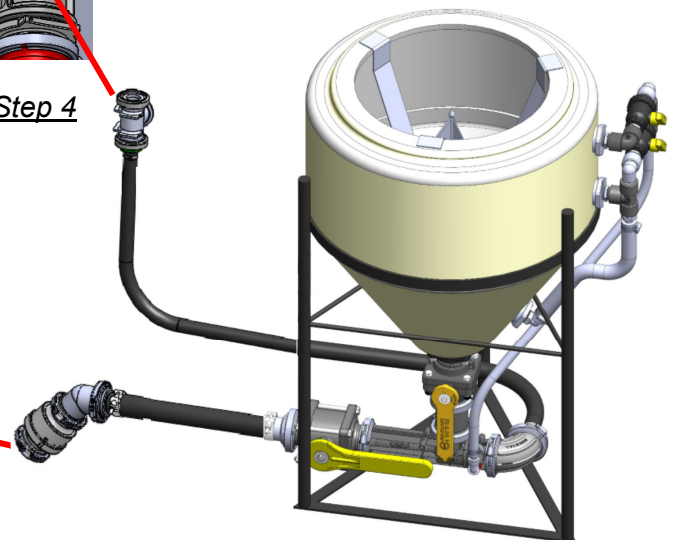
1. Route 1-1/2" eductor outlet hose through hole in the side of the QuickDraw^{MAX} cabinet.
2. Route 1" eductor inlet hose through hole in the side of the QuickDraw^{MAX} cabinet.
3. Remove cap and connect check valve to Y fitting inside QuickDraw^{MAX}. *Note: Arrow should be pointing towards the tee.*
4. Remove QuickDraw manifold rinse (2" Manifold x 1" HB - 90°) from 3" reducer coupling inside the QuickDraw Cabinet.
5. Connect 2" Manifold x 1" HB to 2" tee and connect 2" tee to reducer coupling inside the QuickDraw Cabinet.
6. Reconnect rinse to side leg of tee.



Step 4



Step 3



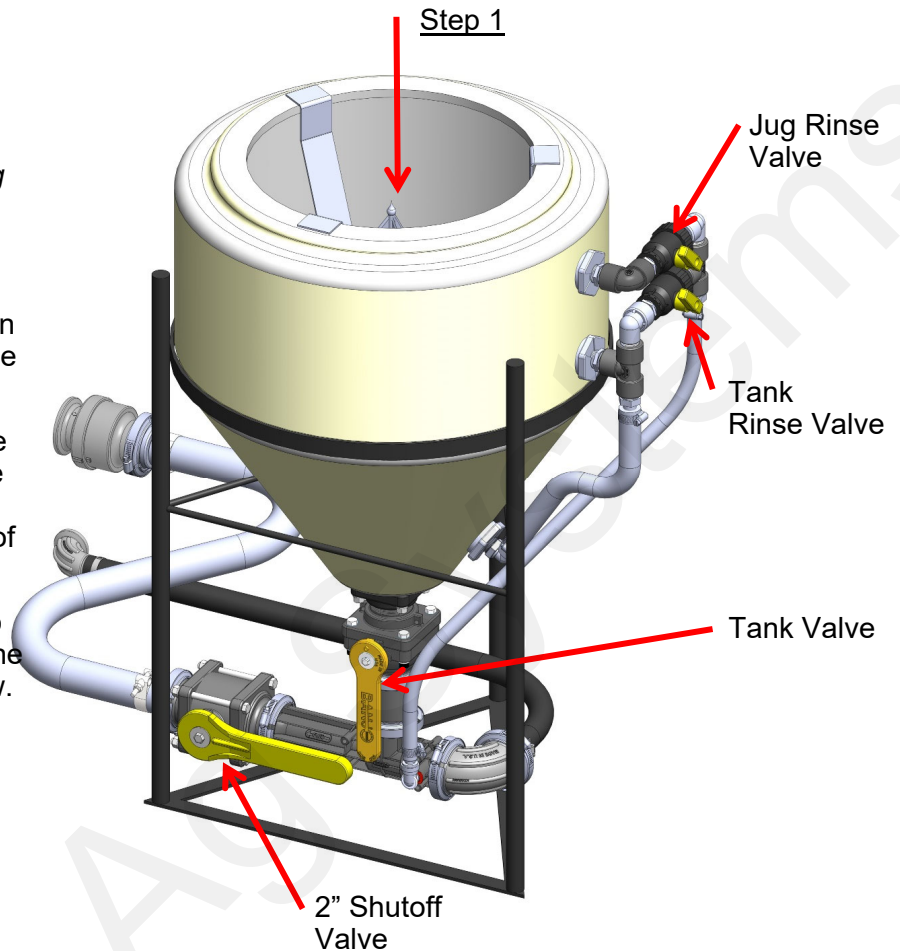


No Bypass Kit Operation Instructions

Chemical Jug Operation:

This process is typically executed during the "Manual Rinse Cycle" on QuickDraw^{MAX} or at any time during loading with QuickDraw^{LITE}.

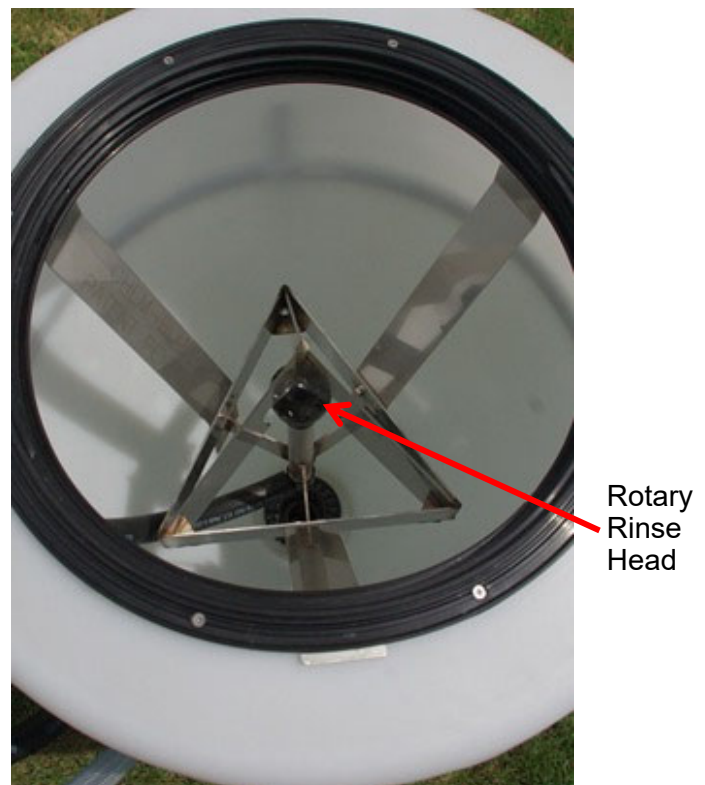
1. Carefully bring the chemical jug down onto the Chem-Blade ES, splitting the jug.
2. Close the lid and open the Jug Rinse Valve and water will flow through the rotary rinse head at the center of the blade to thoroughly rinse the inside of the jug.
3. Open shutoff valve and tank valve to pull product from the tank, through the venturi valve and into the QuickDraw.
4. Close Jug Rinse Valve, open Tank Rinse Valve to clean the tank. After tank is evacuated, close all valves.
5. Discard chemical jug properly and resume QuickDraw operation.



Dry Product Operation:

1. Unlike a chemical jug, a bag of dry product is not likely to need rinsed. Drop the bag(s) onto the Chem-Blade and shake remaining contents into the tank.
2. Close the tank lid and open Jug rinse and Tank Rinse valves to create a slurry of the dry product and water, to ease transport through the venturi valve.
3. Open 2" valve and tank valve to pull product from the tank, through the venturi valve and into the QuickDraw.
4. After tank is evacuated, close rinse valves and tank valves.

Note: All water used for rinsing and mixing is still being measured by the QuickDraw automated spray tender system.





3" Bypass Kit Operation Instructions

Chemical Jug Operation:

When setup in conjunction with QuickDraw, this process is typically executed during the "Manual Rinse Cycle" on QuickDraw^{MAX} or at anytime during loading with QuickDraw^{LITE}.

1. Carefully bring the chemical jug down onto the Chem-Blade ES, splitting the jug.
2. Close the lid and open the Jug Rinse Valve and water will flow through the rotary rinse head at the center of the blade to thoroughly rinse the inside of the jug.
3. Close 3" valve and open tank valve to pull product from the tank, through the venturi valve and onto the sprayer.
4. Close Jug Rinse Valve, open Tank Rinse Valve to clean the tank. After tank is evacuated, close rinse valves and tank valve. Open 3" valve to continue with full water flow.
5. Discard chemical jug properly.

Dry Product Operation:

1. Unlike a chemical jug, a bag of dry product is not likely to need rinsed. Drop the bag(s) onto the Chem-Blade and shake remaining contents into the tank.
2. Close the tank lid and open Jug rinse and Tank Rinse valves to create a slurry of the dry product and water, to ease with the transport through the venturi valve.
3. Open 2" valve and tank valve to pull product from the tank, through the venturi valve and into the QuickDraw.
4. After tank is evacuated, close rinse valves and tank valves.

Note: All water used for rinsing and mixing is still being measured by the QuickDraw automated spray tender system.

