



# 396-3271Y1

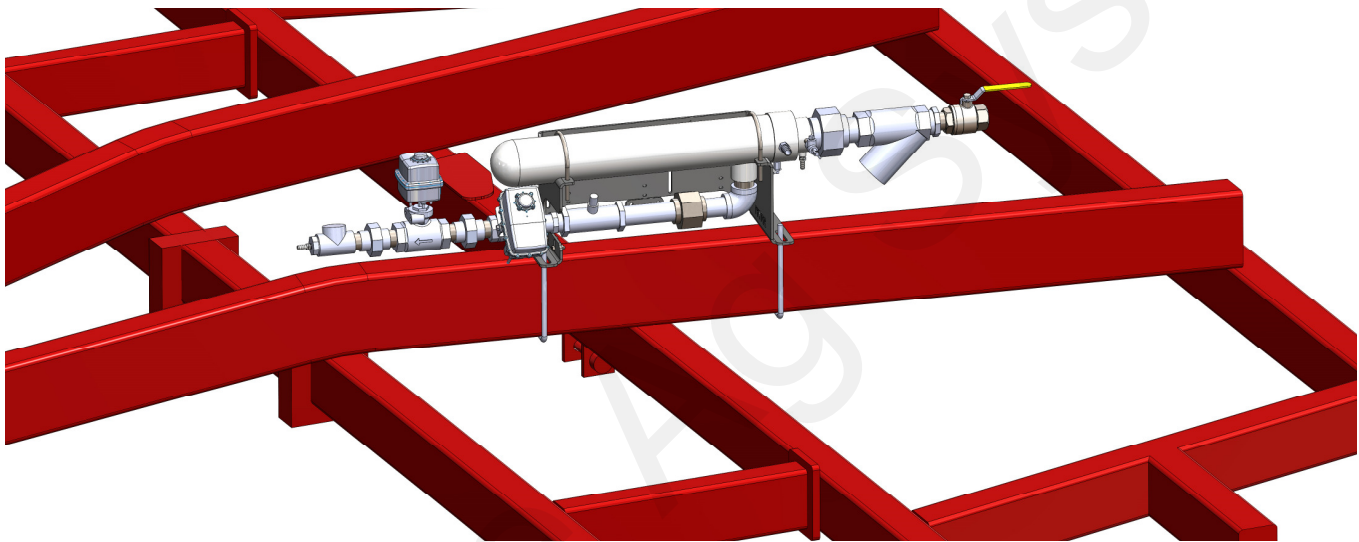
## Case iH 5310 16 Row 30" Spacing U-Bolt Kits for mounting the NH3 Torpedo System

Strip Till Manufacturer:



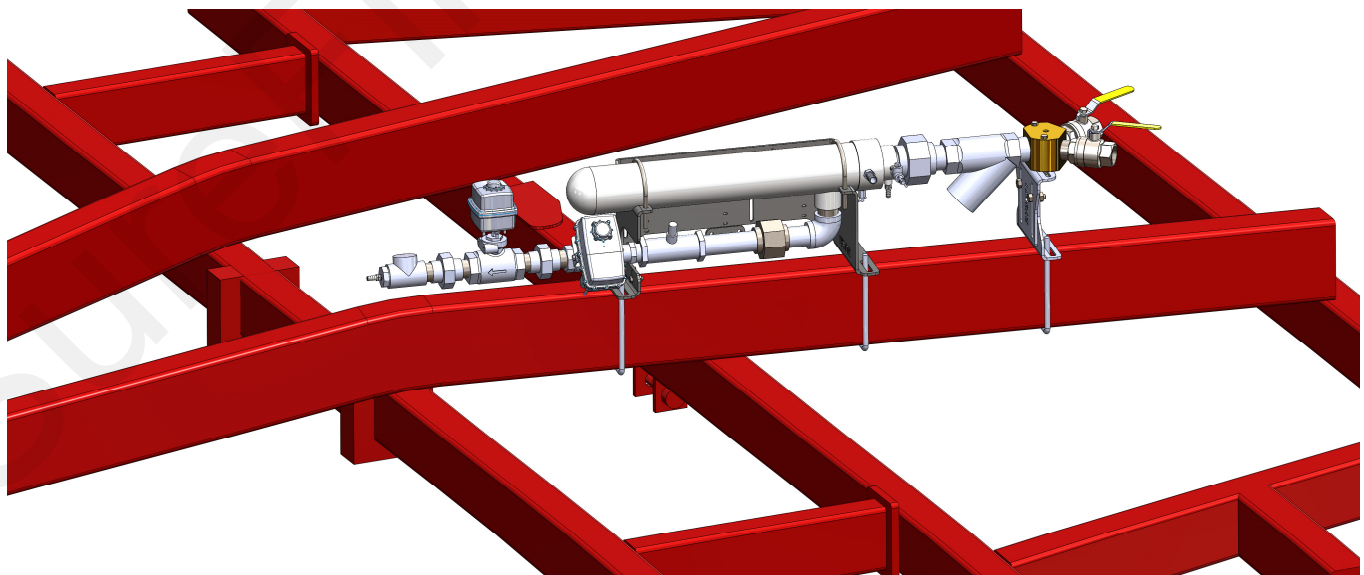
**Kit Number: 516-02-100400**

This Kit can mount both the *Torpedo 100 & 200*.



**Kit Number: 516-02100420**

This Bracket Kit can mount the *Torpedo 300*.

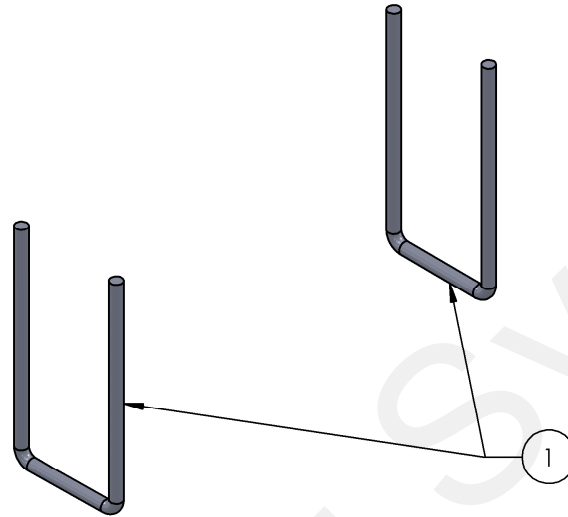




# Parts List

## Kit Number: 516-02-100400

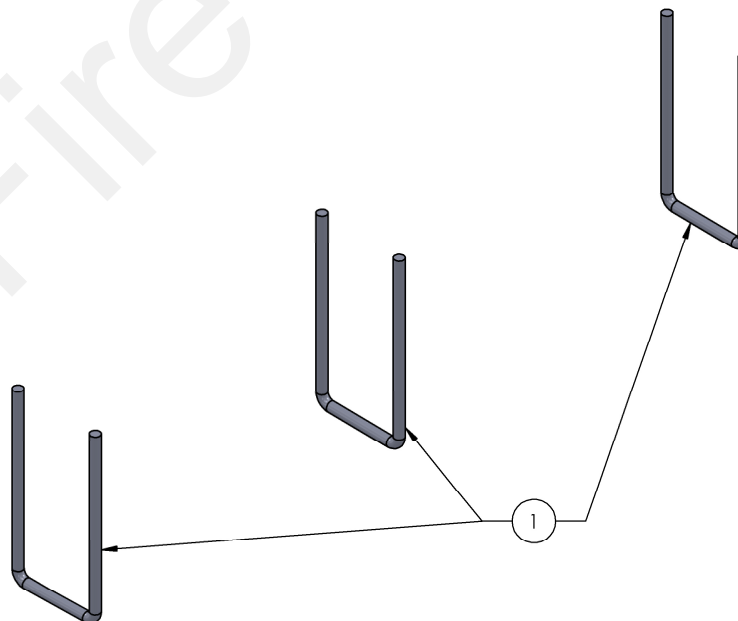
This Kit can mount both the *Torpedo 100* & *200*.



ITEM NO.	PART NUMBER	DESCRIPTION	QTY.
1	380-1032	1/2" x 4" x 9-1/2" Square Bend U-Bolt	2

## Kit Number: 516-02-100420

This Bracket Kit can mount the *Torpedo 300*.



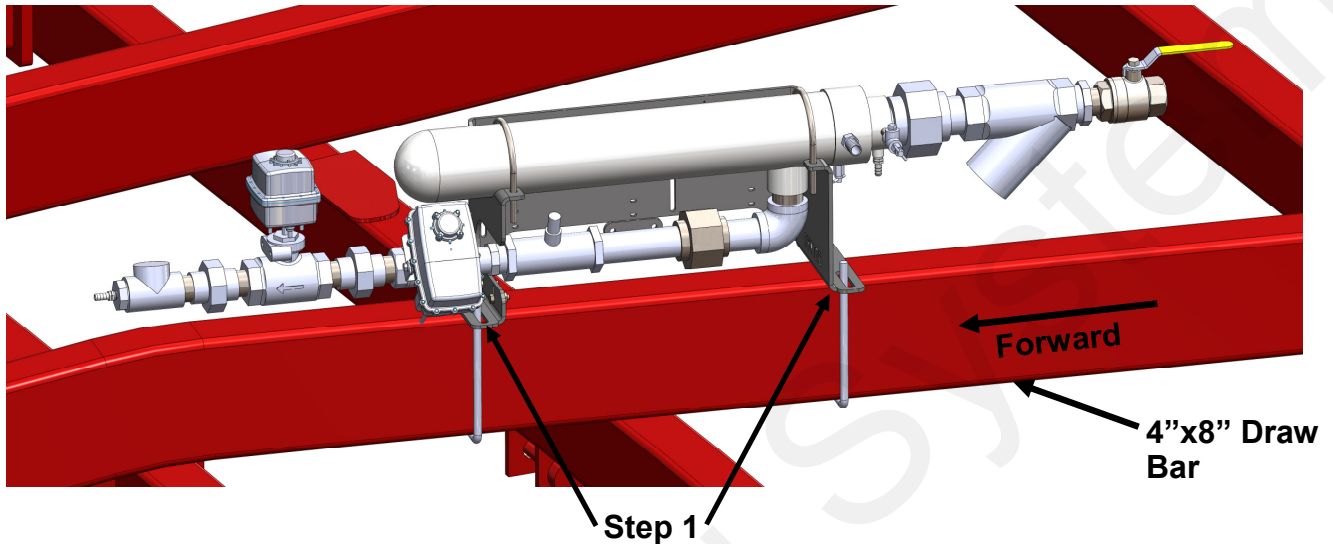
ITEM NO.	PART NUMBER	DESCRIPTION	QTY.
1	380-1032	1/2" x 4" x 9-1/2" Square Bend U-Bolt	3



# Step by Step Instructions (516-10-100500)

**Kit Number: 516-02-100400**

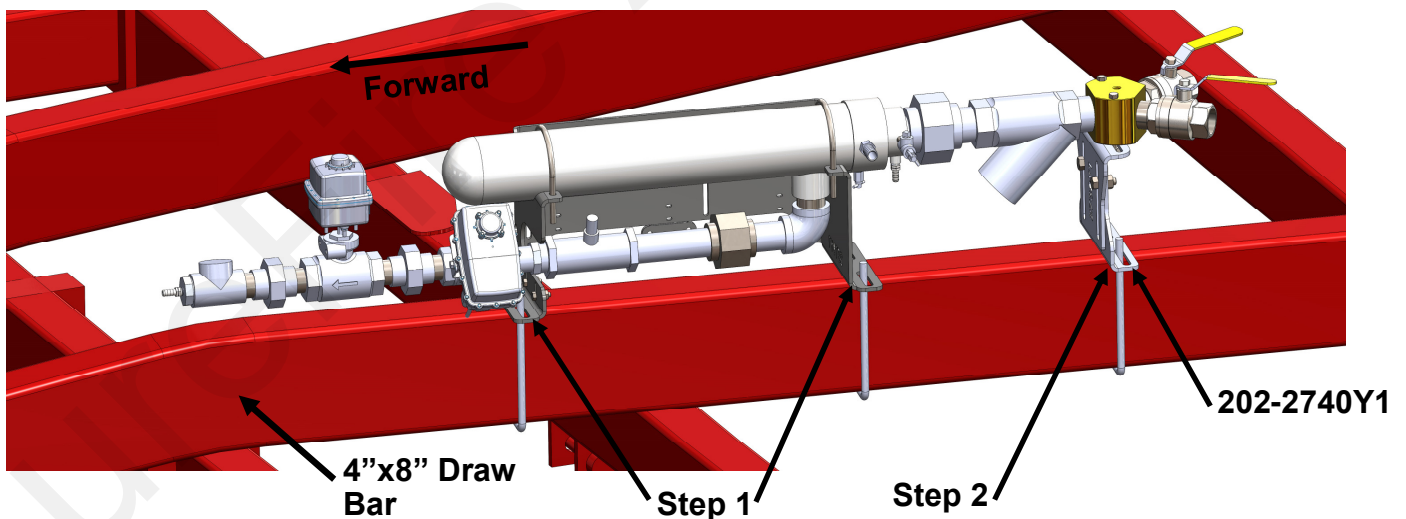
This Kit can mount both the *Torpedo 100 & 200*.



1. Mount the Torpedo to the 4"x8" Draw Bar using the provided 1/2"x4"x9-1/2" Square Bent U-bolts (380-1032). Tighten all nuts once Torpedo is in desired position along the 4"x8" Bar and clearance/interference of existing equipment has been checked.

**Kit Number: 516-02-100420**

This Kit can mount the *Torpedo 300*.



1. Mount the Torpedo to the 4"x8" Draw Bar using the provided 1/2"x4"x9-1/2" Square Bent U-bolts (380-1032). Do not tighten nuts to allow for adjustment in next step.
2. Mount the NH3 Splitter Support Kit (202-2740Y1) to the top of the 4"x8" Bar with the provided 380-1032 U-bolt and attach to underside of splitter as shown. The Splitter Support Kit has slotted holes for height adjustment. Tighten all nuts once Torpedo is in desired position along the 4"x8" Bar and clearance/interference of existing equipment has been checked.