

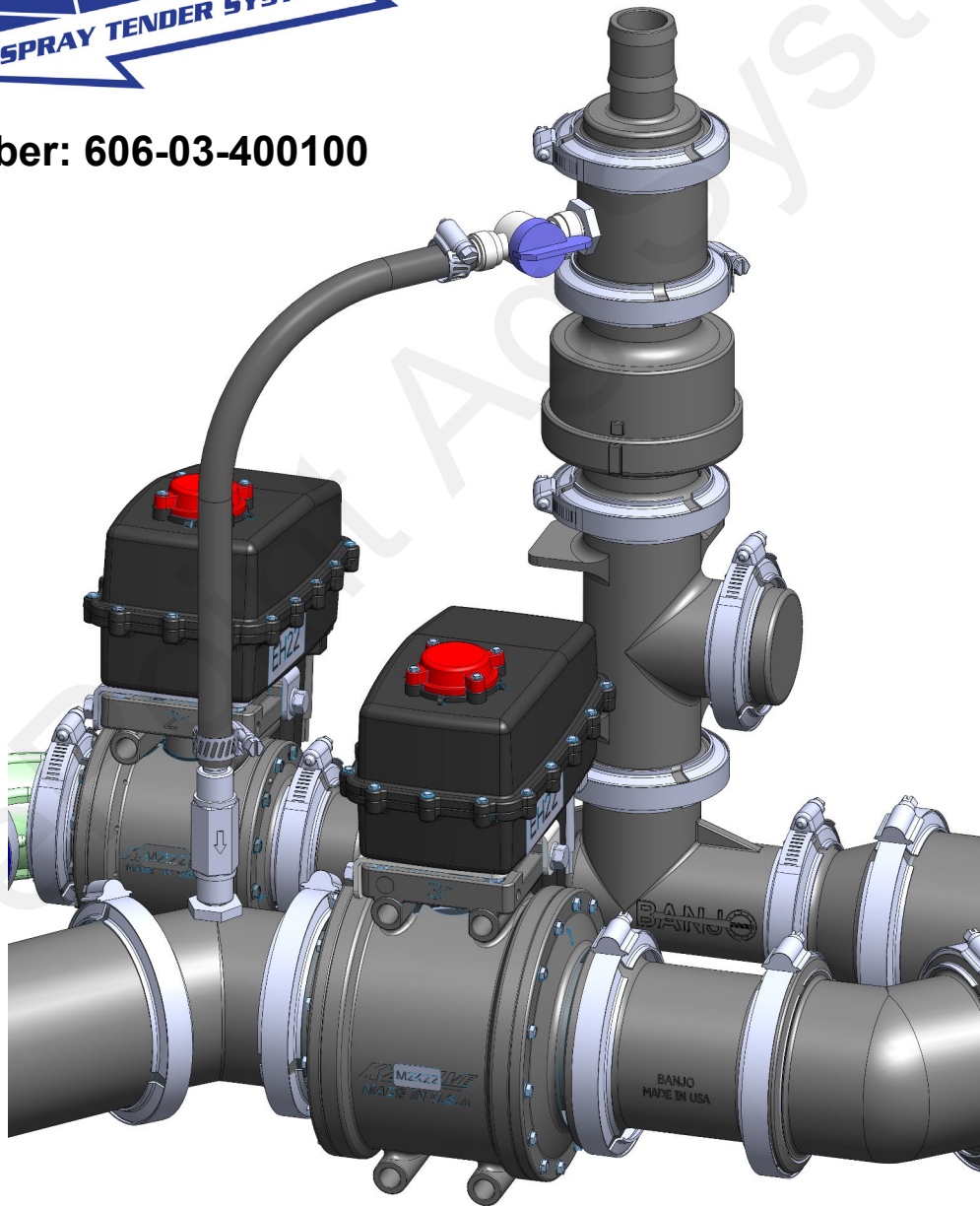


396-3222Y1

QuickDraw Winterization Upgrade Kit Installation Instructions



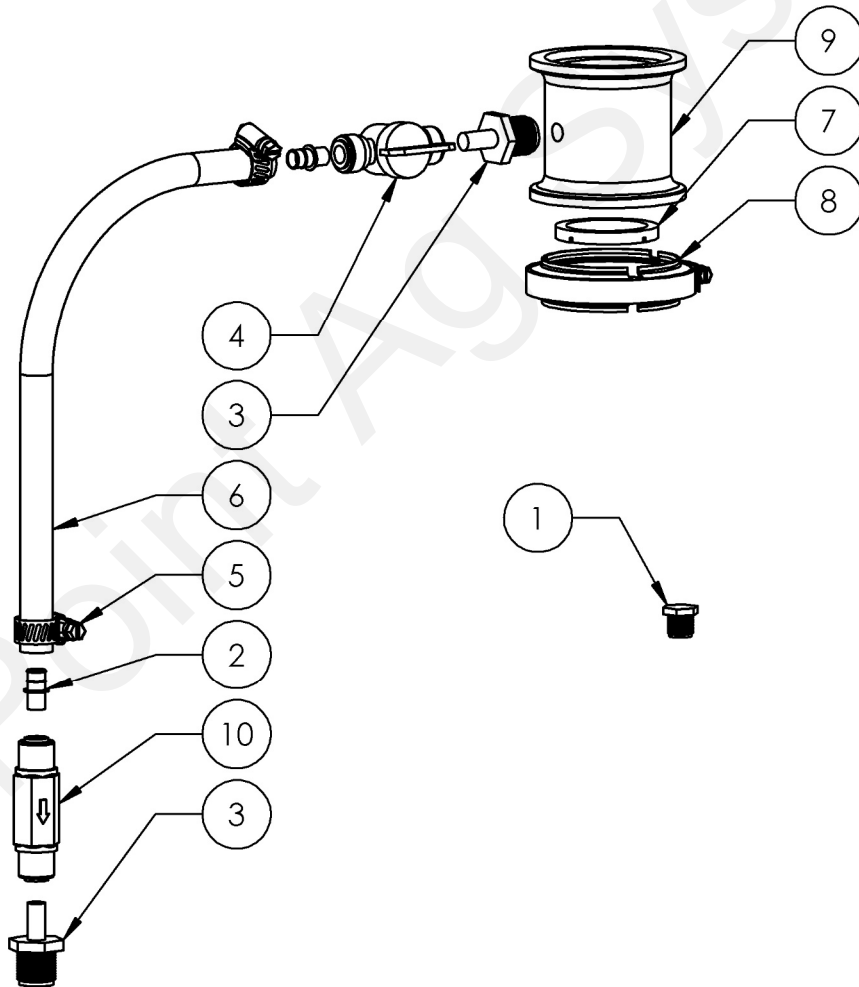
Kit Number: 606-03-400100





Parts List and Exploded View

ITEM NO.	PART NUMBER	DESCRIPTION	QTY.
1	100-038PLUG	3/8" Pipe Plug	1
2	113-01-038038	Stem to HB - 3/8" Stem x 3/8" HB	2
3	113-02-038038	Stem to MPT - 3/8" Stem x 3/8" MPT	2
4	113-50-038038	Valve - 3/8" QC x 3/8" QC	1
5	350-0605	SS Hose Clamp - Size 6	2
6	280-038-AG200	3/8" AG200 Hose - 15"	1
7	105-200G-H	2" EPDM Manifold Gasket	1
8	105-FC220	2" Full Port Manifold Clamp	1
9	105-220CPG-038	Tapped 3/8" FPT 2" Full Port Manifold	1
10	136-CV-5MC0606	Check Valve - 3/8" QC Inlet x 3/8" QC Outlet	1

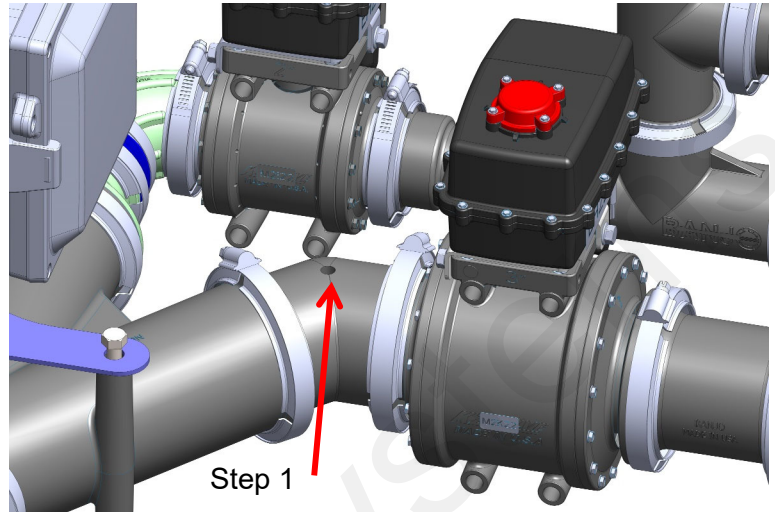




Step by Step Instructions

1. Use 37/64" drill bit and 3/8" NPT tap to tap 45° coupling downstream of 3" control valve. Note: Tap 3/8" NPT down 1/2" - 5/8" deep to avoid oversizing the hole.

Optional: See page 4 for information on winterization pumping, but it may be desired to drill and tap the 45° QuickDraw inlet fitting. Follow Step 1 for this fitting. A pipe plug is included in the kit for this fitting, if winterization pump kit is desired in the future.

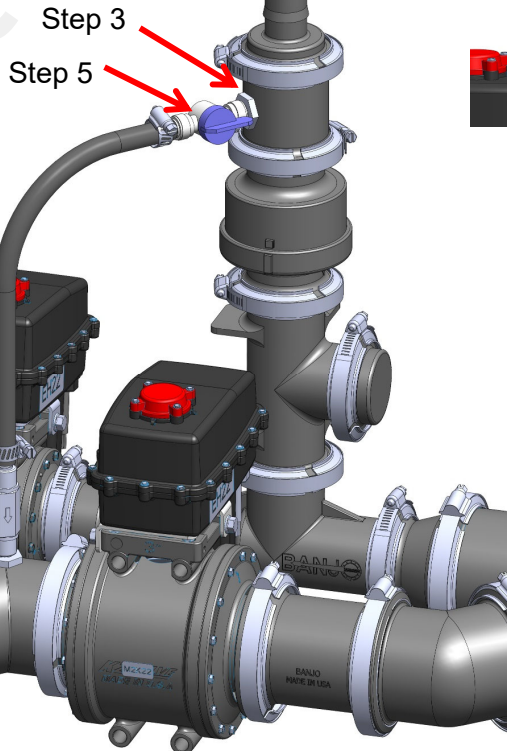
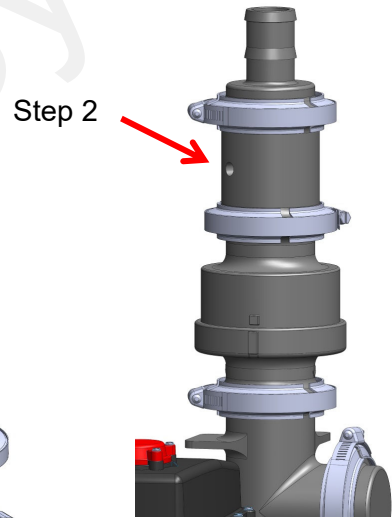


2. Insert tapped 2" manifold coupling (Item 9) with clamp and gasket (Items 7 & 8) between check valve and hose barb fitting with tapped 3/8" hole facing the general direction of 45° coupling.

3. Using pipe thread seal tape or sealant, thread 3/8" MPT x 3/8" Stem fittings into tapped 45° coupling and 2" coupling.

4. Push-connect check valve (Item 10, with arrow pointing down) onto stem fitting at the 45° coupling, push-connect stem to hose barb fitting (Item 2), and connect 3/8" AG200 hose with hose clamp (Item 5).

5. Push-connect 3/8" QC valve (Item 4) onto stem fitting at 2" coupling, push-connect stem to hose barb fitting (Item 2), and connect 3/8" AG200 hose with hose clamp (Item 5).





QuickDraw Winterization Procedure

The following is the Winterization Procedure for QuickDraw. Use RV AntiFreeze or 28% UAN. Five gallons should be sufficient to winterize the system. This winterization process is best used during early spring and late fall periods when still actively using the system to tender. Over-winter it is recommended to keep your QuickDraw inside a temperature control building. If this is not possible, utilize winterization procedure and then remove Control Console (User Interface) and keep inside.

NOTE: Using only compressed air will not get all water out of the QuickDraw plumbing. To ensure no damage occurs from freezing, it is necessary to use antifreeze or 28% UAN solution.

1. To pump antifreeze you can use your transfer pump or an electric pump plumbed to the winterization port (#1) on the inlet fitting of the QuickDraw. If using an electric pump, you'll need to stop flow from going to your transfer pump. This can be done by installing a valve that can be closed or by disconnecting the inlet hose from the transfer pump to the QuickDraw and putting a 3" Cap on the Inlet (#2).
2. Use **Manual Controls** on the QuickDraw controller to open **Rinse Valve**
3. Open "Winterization Vent Valve" (#3 below)
4. Pump Antifreeze or 28% UAN into the QuickDraw pump inlet until product is discharged from QuickDraw Outlet (#4 below).
5. Use **Manual Controls** on controller to close **Rinse Valve**
6. Use **Manual Controls** to open **2" Venturi Valve** and **3" By-Pass Valve**. Antifreeze should discharge from QuickDraw outlet when each of these valves open. If Antifreeze does not discharge when the valves open, pump additional antifreeze until it visibly discharges from QuickDraw outlet.
7. Open the drain valve at the bottom of the Mass Meter and Product Control Valve Stack to drain the system.
8. Close Winterization Vent Valve and Drain Valve on the bottom of the Mass Meter

