



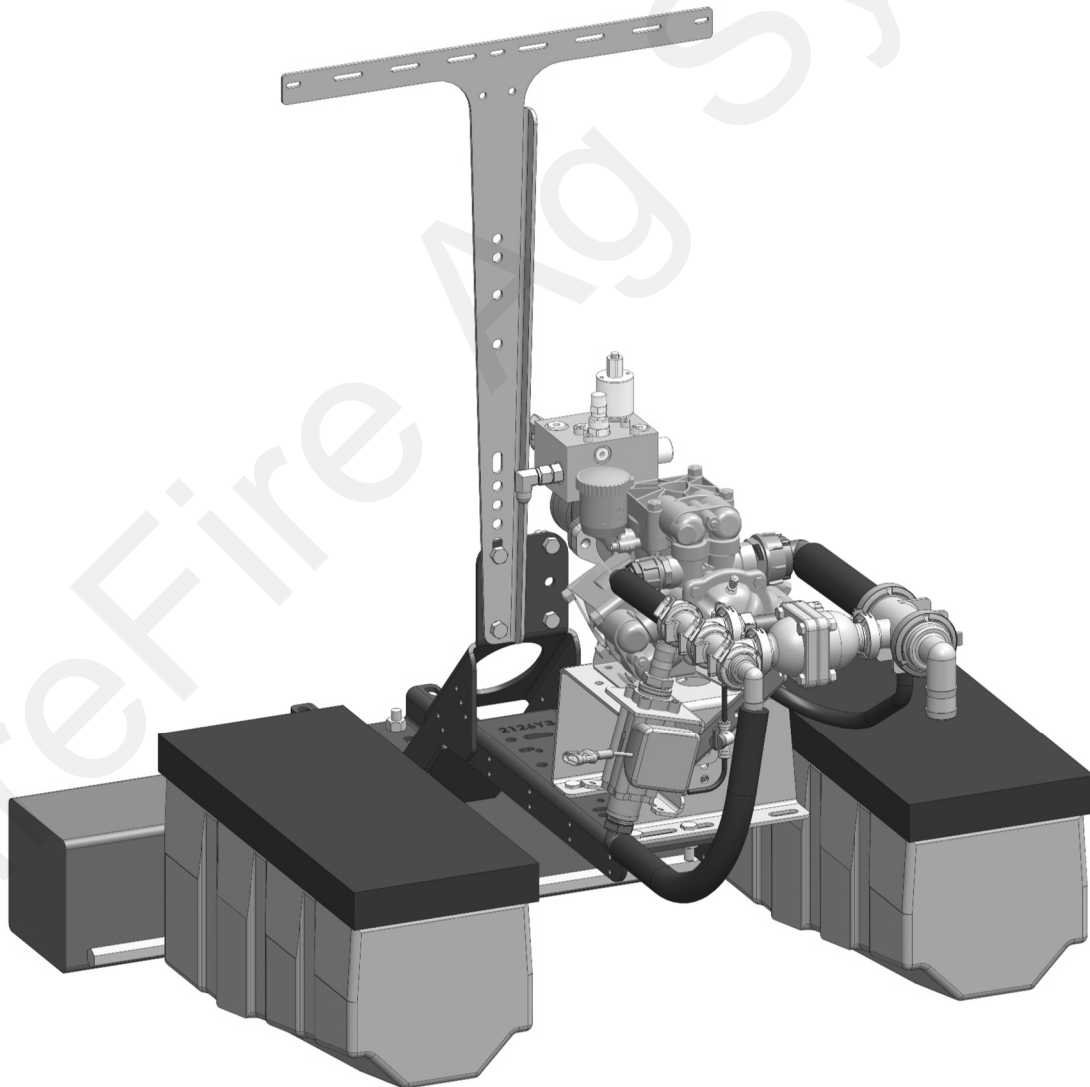
396-3159Y1

Black Between Row Mount Kit for PumpRight, Banjo Valves, Flow Indicators

Kit Number: 515-03-201600

Kit Description: Black Between Row Mount Kit for up to 6x6 bar

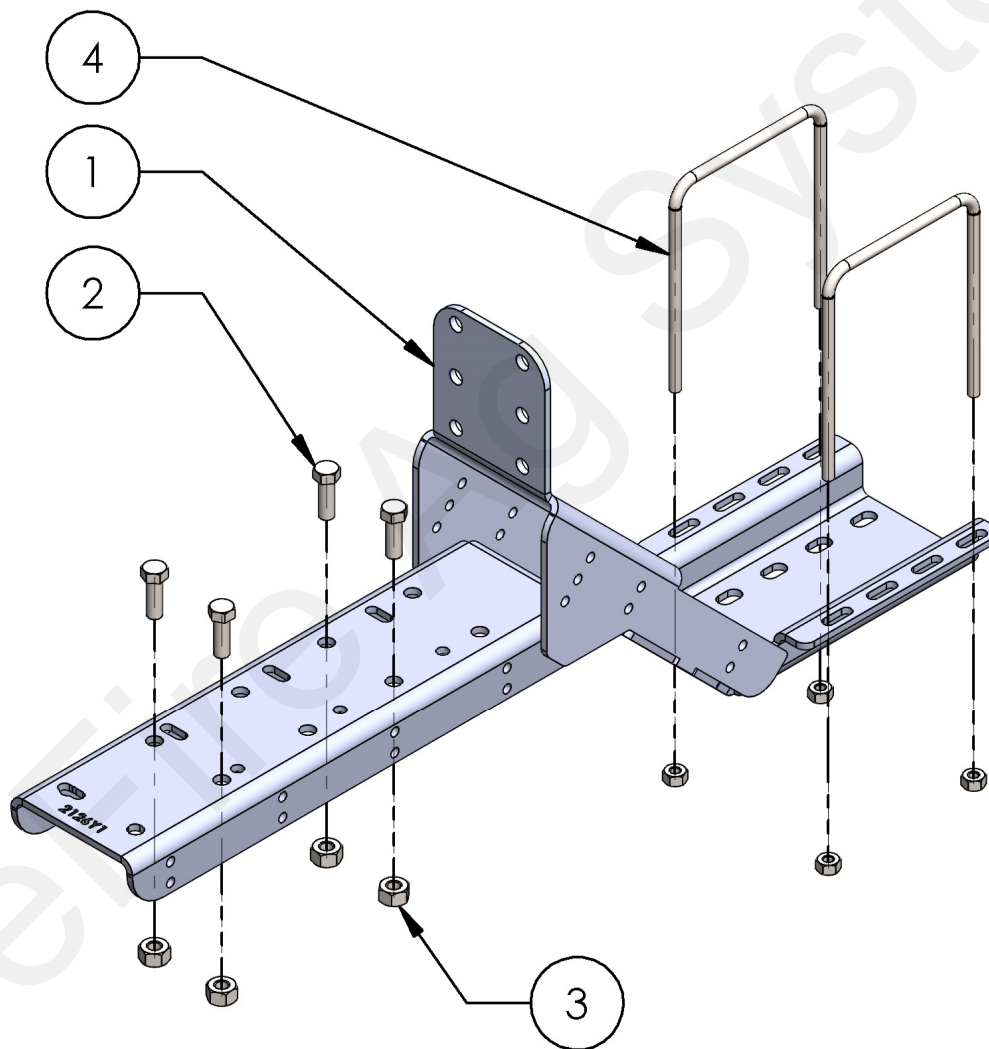
SureFire D70 or D115 PumpRight pumps can be mounted on this bracket which is mounted rearward of the planter toolbar. The bracket can also be used to mount Banjo electric section valves and SureFire Flow Indicator Tee Bracket. Flow Indicator brackets can be mounted along with any configuration. *(Shown below with PumpRight D115 and Flow Indicator T-Bracket, ordered separately.)*





Parts List and Exploded View

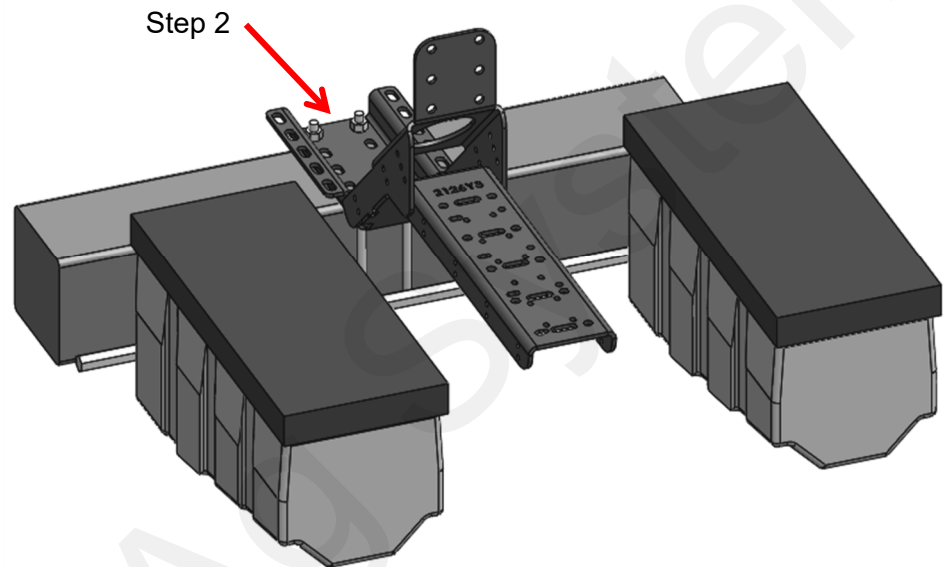
ITEM NO.	PART NUMBER	DESCRIPTION	QTY.
1	400-2126Y1-BK	Black Bracket for Universal Rear Extension Mount for Pump, Valves, Flow Indicators	1
2	300-080108-5	1/2" x 1-1/2" Hex Head Bolt—G5	4
3	323-08	1/2" Flange Nut	4
4	380-XXXX	3/8" U-Bolt Kit - Size Varies	2





Step by Step Instructions

1. Position bracket in the desired location as shown above. The bracket will fit over the seed drive hydraulic motor, if applicable. The bracket is designed to be installed on the top or bottom side of toolbar. Installing the bracket on the top side may help with clearance above seed boxes.
2. Loosely mount 400-2126Y1-BK bracket to planter toolbar using u-bolts provided with the kit.
3. Install Flow Indicator Brackets, PumpRight or Section Valves on the extension bracket using the instructions on the following pages.
4. Check final installation for clearance and wrench tighten all bolts and u-bolts.



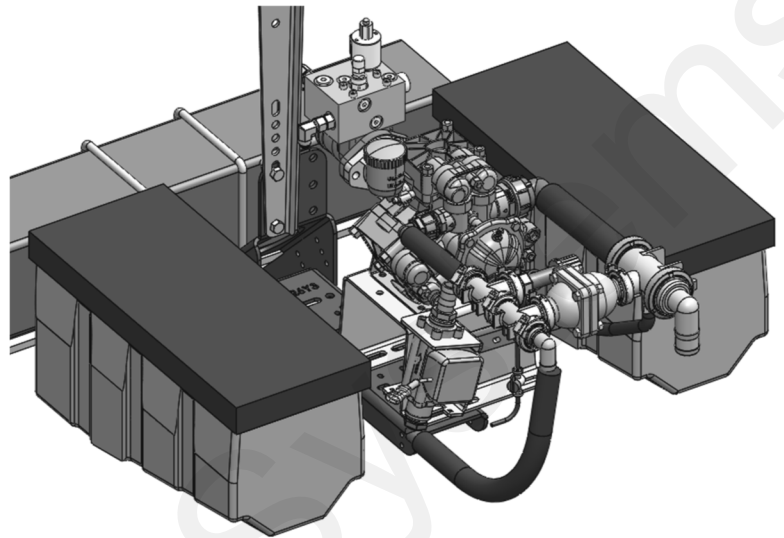


Step by Step Instructions PumpRight D70 or D115

PumpRight Installation - Plumbing to Rear

This bracket can be used to mount the PumpRight D70 or D115 between row units or seed boxes. It is recommended the pump be installed on the right side of the planter as there are less interferences (See Page 3).

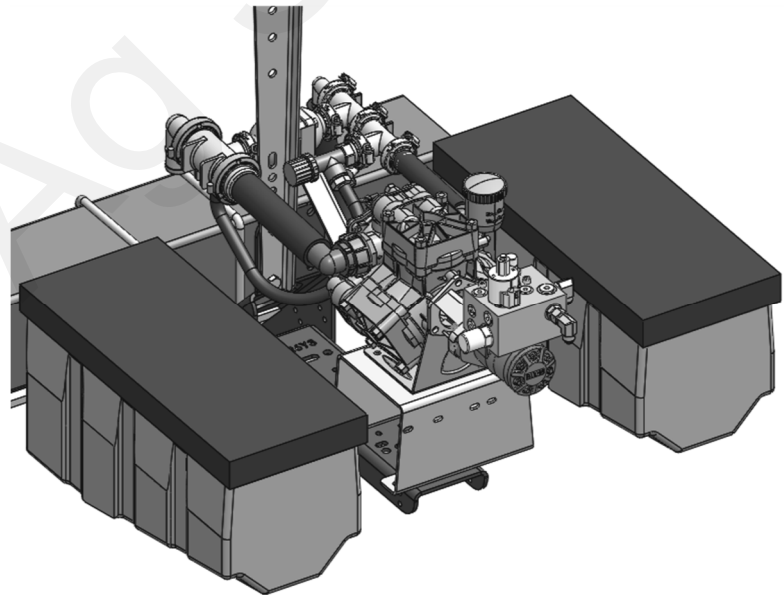
1. Orient the pump with the plumbing facing the rear of the planter and bolt pump stand to extension bracket using four (4) 1/2" x 1-1/2" hex head bolts.
2. Check for clearance and wrench tighten all bolts and u-bolts.



PumpRight Installation - Plumbing to Front

1. Orient the pump with the plumbing facing the front of the planter and bolt pump stand to extension bracket using four (4) 1/2" x 1-1/2" hex head bolts.
2. Check for clearance and wrench tighten all bolts and u-bolts.

Note: If installing with flow indicator tee bracket, the pump should be installed first.



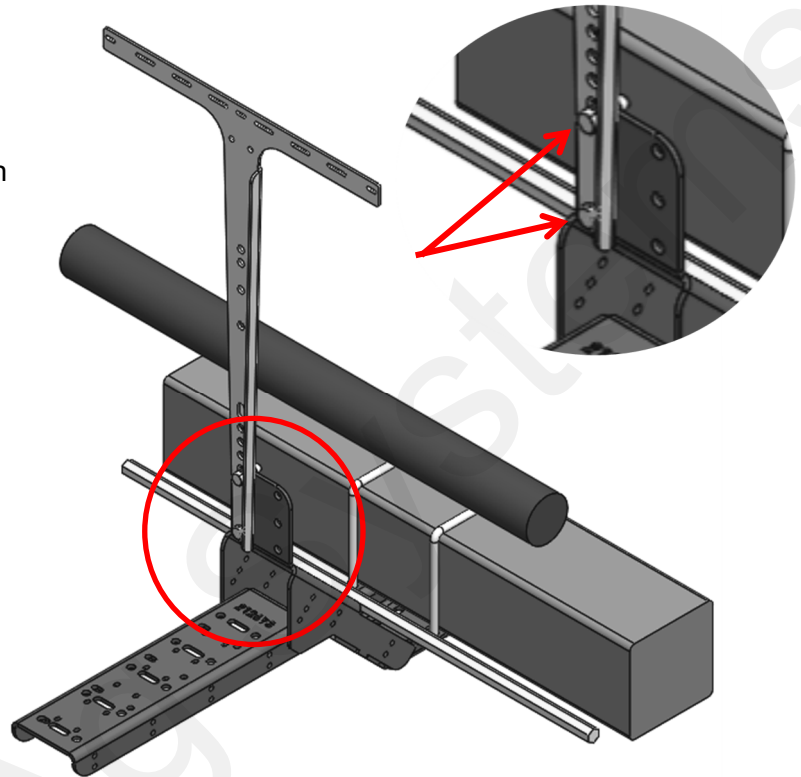


Step by Step Instructions Flow Indicator and Section Valves

Flow Indicator Bracket

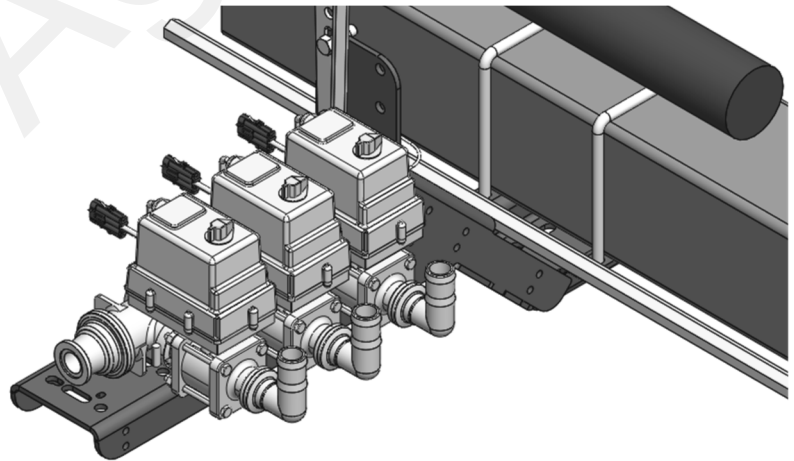
1. Using two (2) 1/2" x 1-1/2" Hex Head Bolts and 1/2" flange nuts, attach flow indicator T-bracket (ordered separately) to the top portion (left or right row of holes) of the bracket.
2. Check for clearance and wrench tighten all bolts and u-bolts.

Note: SureFire T-brackets for flow indicators can be mounted on the "Between the Row" bracket along with PumpRight or Section Valves.



Section Valves

1. Section valves (maximum of 4 Banjo valves, ordered separately) can be mounted on this bracket, in place of a pump. Two brackets are needed if you wish to mount a pump and section valves in this manner. The section valves will mount as shown below. The section valve inlet can face rearward (as shown) or forward. It may also be necessary to use 90° hose barbs on the outlet fittings to fit in between the planter boxes.
2. Check for clearance and wrench tighten all bolts and u-bolts.



Banjo Valves

