



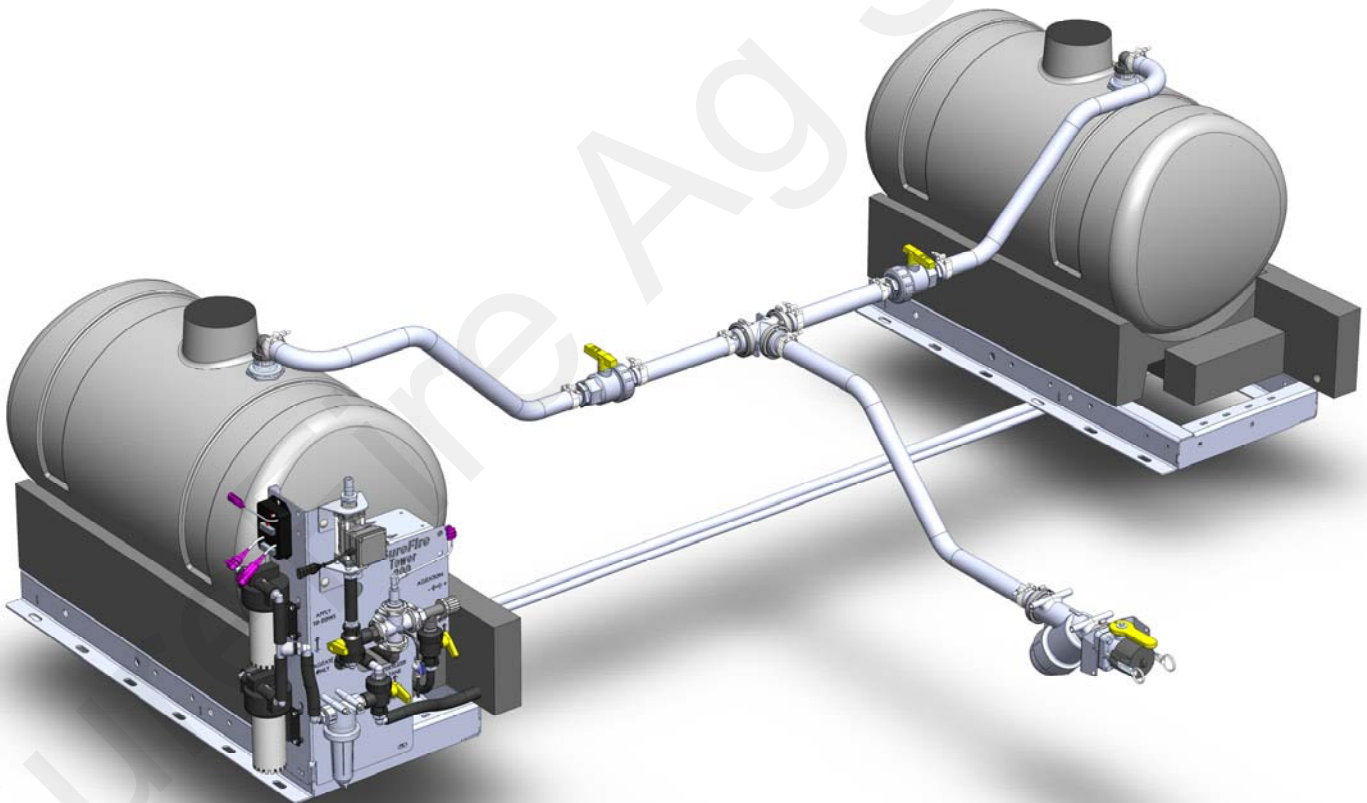
# 396-3049Y1

## Dual Accelerator Tank Fill and Plumbing Kits

### Kit Numbers:

520-00-1011—Dual Accelerator Fill Kit

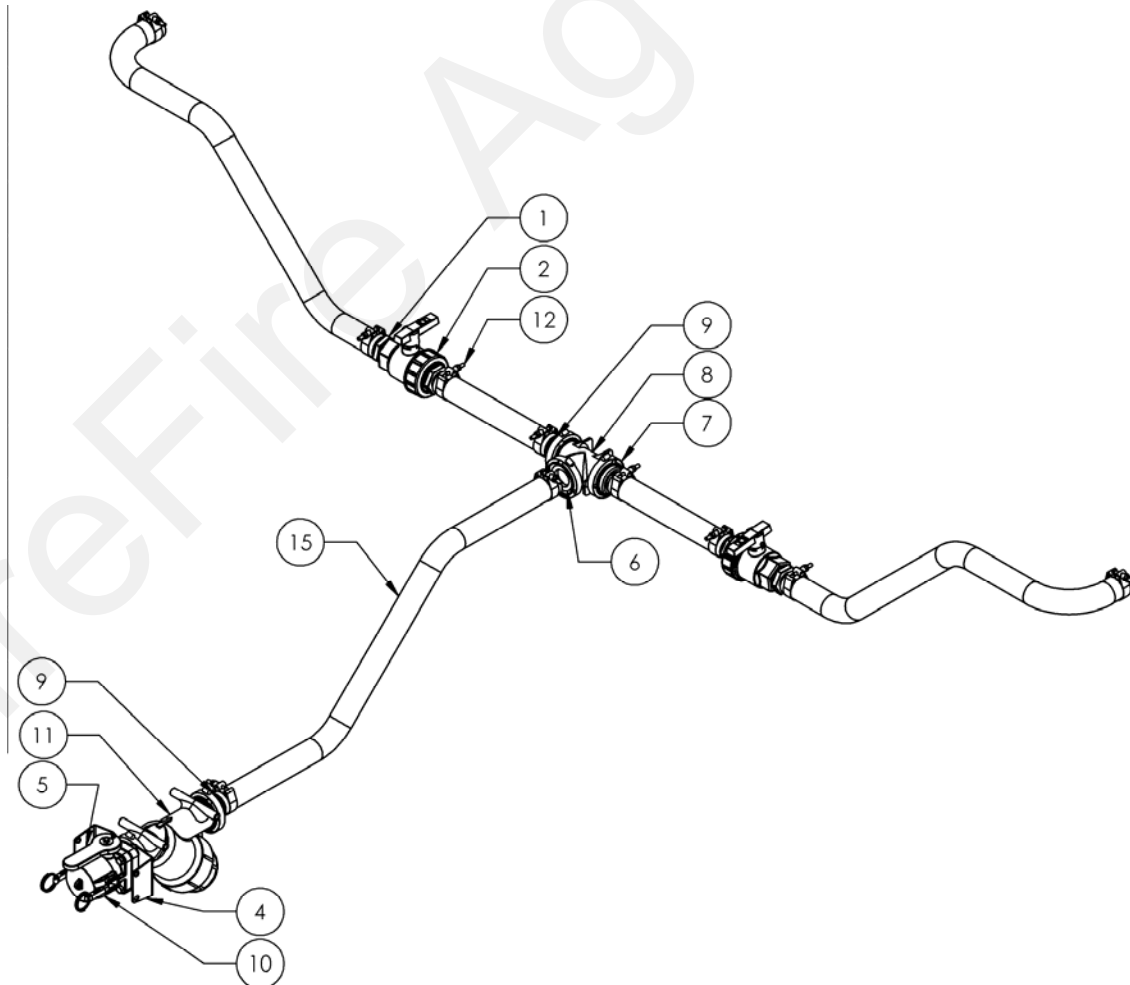
520-00-101120—Dual Accelerator Tank Plumbing Kit





# Parts List and Exploded View 520-00-1011

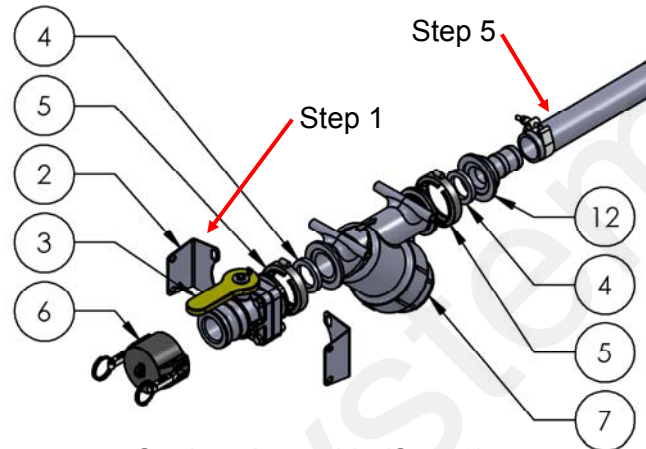
ITEM NO.	PART NUMBER	DESCRIPTION	QTY.
1	101-150150	1-1/2" MPT x 1-1/2" HB	4
2	102-150SUBV-H	1-1/2" Union Valve	2
3	102-200VBR	2" Mounting Bracket - Straight	1
4	102-200VBR-90	2" Mounting Bracket - 90 Degree	2
5	102-200VSFCF	200 Series Manifold x 2" Male Quick Connect	1
6	105-150G-H	1-1/2" EPDM Manifold Gasket for 200 Series	5
7	105-FC200	2" Manifold Clamp	1
8	105-200TEE	2" Manifold Tee	1
9	105-200150BRB	2" Manifold x 1-1/2" HB	4
10	106-200CAP	2" Cap	1
11	109-200MLS-50M	2" Manifold Y Strainer - 50 Mesh	1
12	350-TC181	T-Bolt Hose Clamp - 1.81 - 2.06" Diameter	10
13	384-1095	Hardware Kit - 3/8" Hex Cap Bolts and 3/8" Flange Nuts (Qty: 4)	1
14	384-1004	Hardware Kit - Qty 6 Size 12 x 1-1/4" Self Drilling	1
15	280-150-ENF	1-1/2" Enforcer Fertilizer Solution Hose - 30 ft	1



# Step by Step Instructions

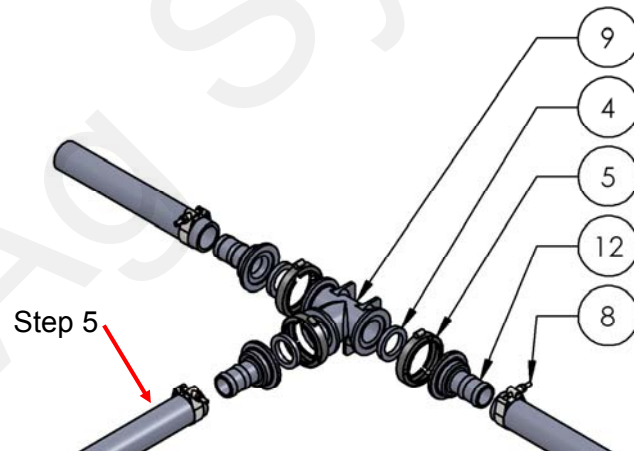
## 520-00-1011

1. Remove nuts on Poly Valve (Item 5) as required to fasten mounting brackets (Item 3 or Item 4) to valve and replace nuts, tighten. *(Often, only one bracket is used to mount the fill valve. 90° bracket is shown)*
2. Using hardware kits (Items 13 and 14) fasten poly valve mounting brackets to implement in desired location.
3. Continue to assemble fill kit strainer assembly as shown.



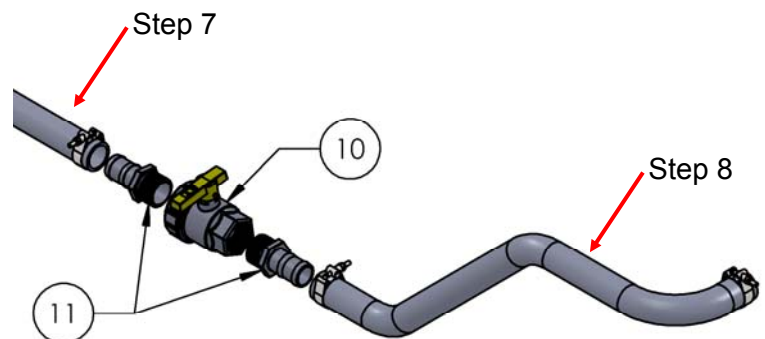
Strainer Assembly (Step 3)

4. Assemble 2" Manifold Tee assembly as shown at right.
5. Route 1-1/2" hose from strainer assembly hose barb (Item 12, top right) to Manifold Tee hose barb and tighten hose clamps (Item 8).



Manifold Tee Assembly (Step 4)

6. Thread 1-1/2" MPT x 1-1/2" HB (Item 11) into 1-1/2" valve (Item 10) and tighten hose clamps (Item 8). *Note: This valve allows isolation of each tank for filling. Locate valve in an easily accessible location.*
7. Route 1-1/2" hose from manifold tee to valve assembly hose barb.
8. Route 1-1/2" hose from valve assembly hose barb to top fill hose barb on Accelerator tank. Tighten hose clamp.
9. Repeat Steps 6-8 for second tank.



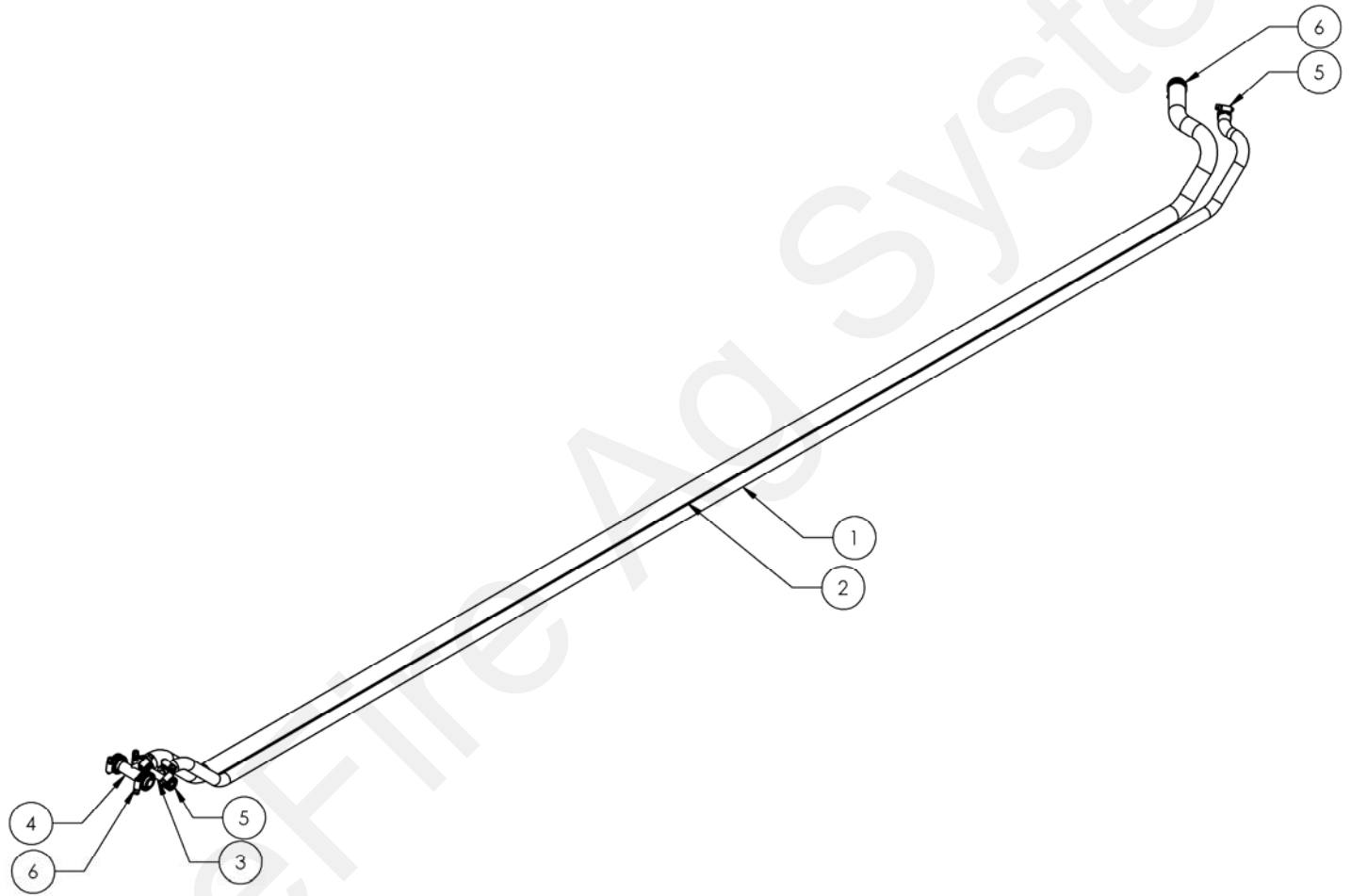
Valve/Tank Connection Assembly (Step 6-9)



# Parts List and Exploded View

## 520-00-101120

ITEM NO.	PART NUMBER	DESCRIPTION	QTY.
1	280-050-AG200	1/2" AG200 Bulk - 20'	1
2	280-075-AG200	3/4" AG200 Bulk - 20'	1
3	101-050050050-HBT	1/2" HB x 1/2" HB x 1/2" HB Tee	1
4	101-075075075-HBT	3/4" HB x 3/4" HB x 3/4" HB Tee	1
5	350-0805	SS Hose Clamp - Size 8	4
6	350-1208	SS Hose Clamp - Size 12	4

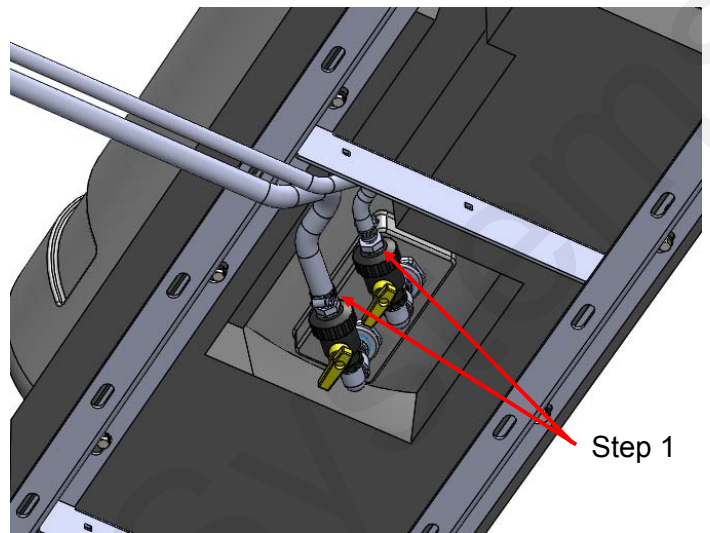




# Step by Step Instructions

## 520-00-101120

1. Connect 1/2" and 3/4" hose to existing hose bars on the bottom of the second Accelerator tank. Tighten hose clamps. *Note: It may be necessary to remove provided hose from the tank.*
2. Route hose from second Accelerator tank to Accelerator with Tower system.



4. Using 1/2" and 3/4" hose barb tee fittings, connect hoses from second tank to first tank hoses as shown. Tighten all hose clamps.

*Note: The valves on the bottom of the tanks are to be used to isolate each tank. The 3/4" hose is the fertilizer supply line and the 1/2" hose is for agitation.*

