



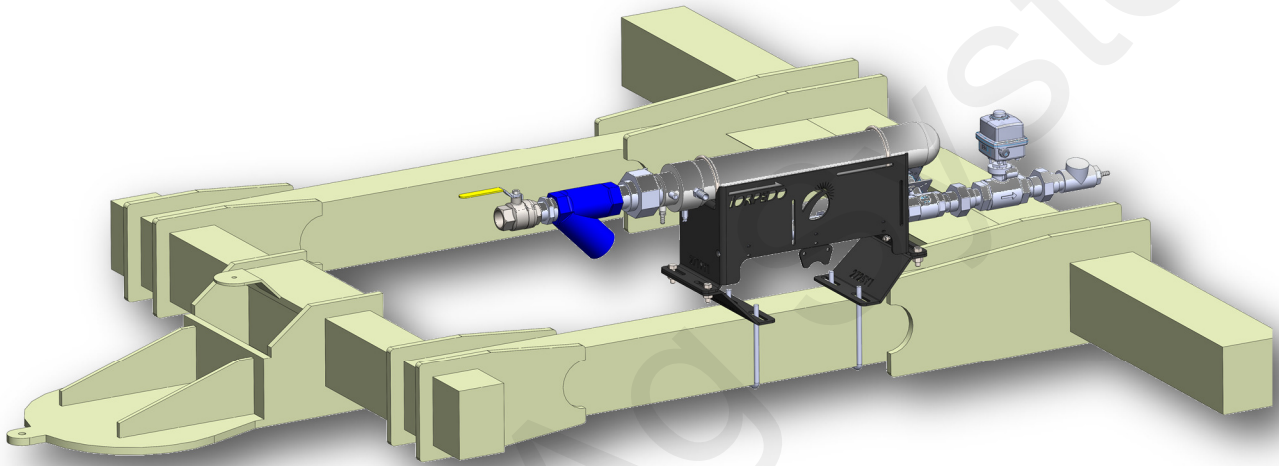
396-3048Y1

Orthman 1tRIPr

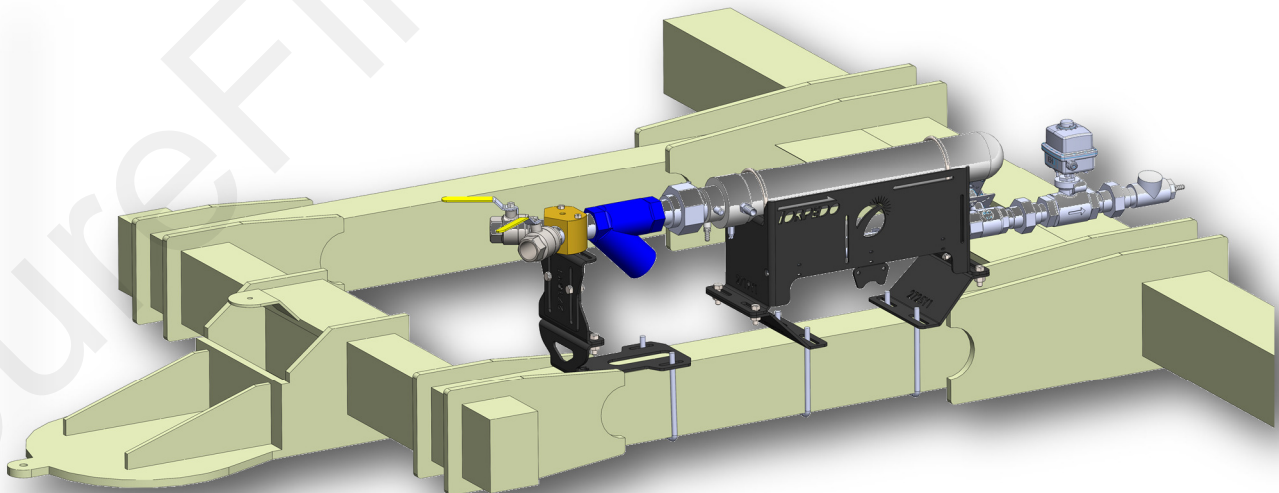
NH3 Torpedo 100, 200 & 300

Installation

Torpedo 100 & 200
Kit: 516-05-050150



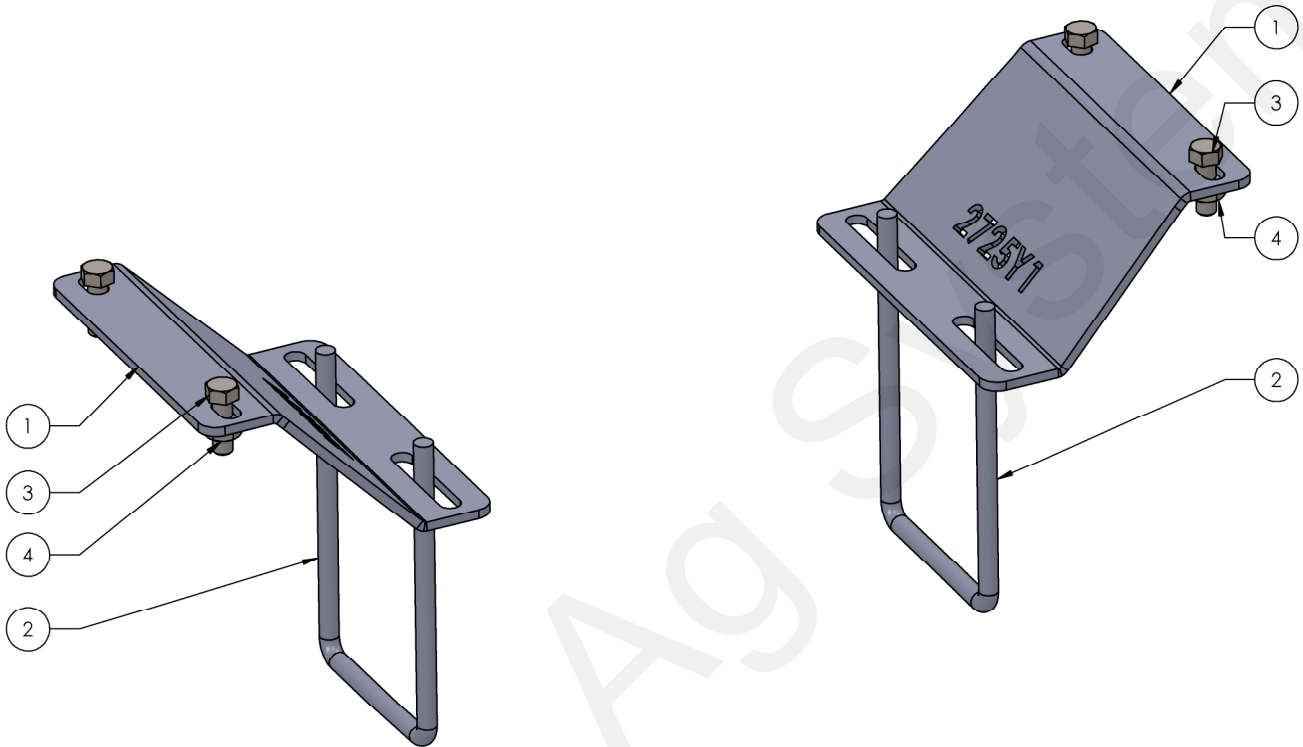
Torpedo 300
Kit: 516-05-050175





Kit: 516-05-050150

Parts List

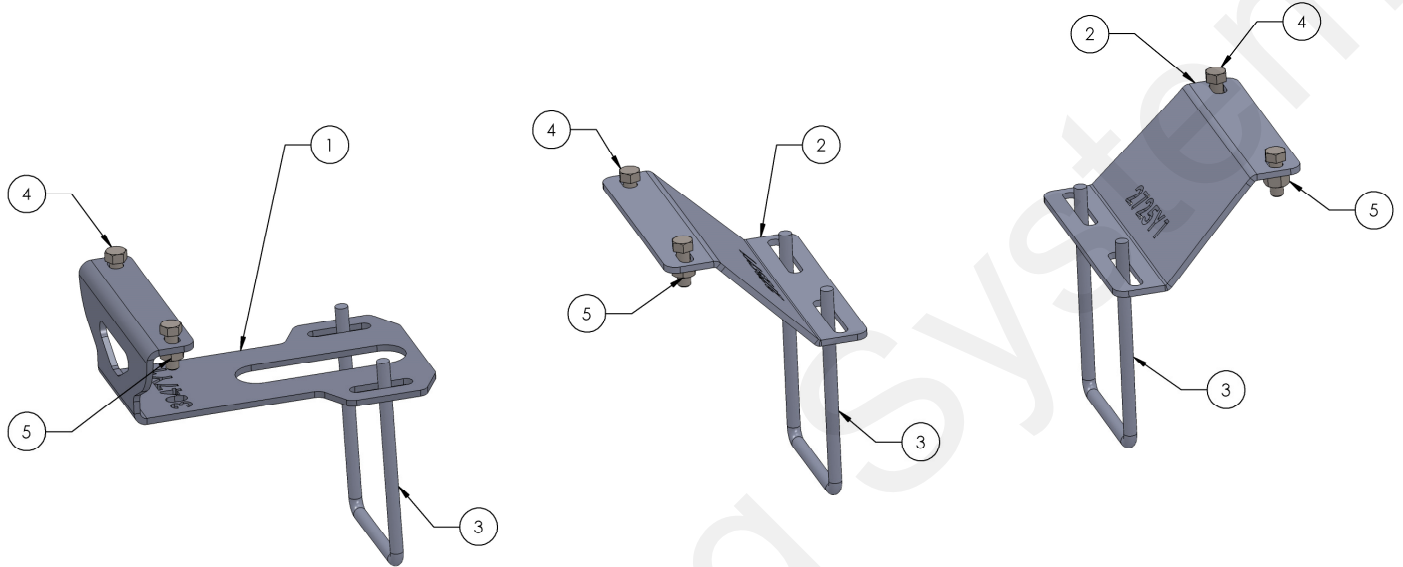


ITEM NO.	PART NUMBER	DESCRIPTION	QTY.
1	462-2725Y1	Z Mounting Bracket for 2719Y1	2
2	380-1014	1/2" x 5" x 8-1/2" Square Bend U-Bolt	2
3	300-080108-5	1/2" x 1-1/2" HCS G5	4
4	323-08	1/2" Flange Nut	4



Kit: 516-05-050175

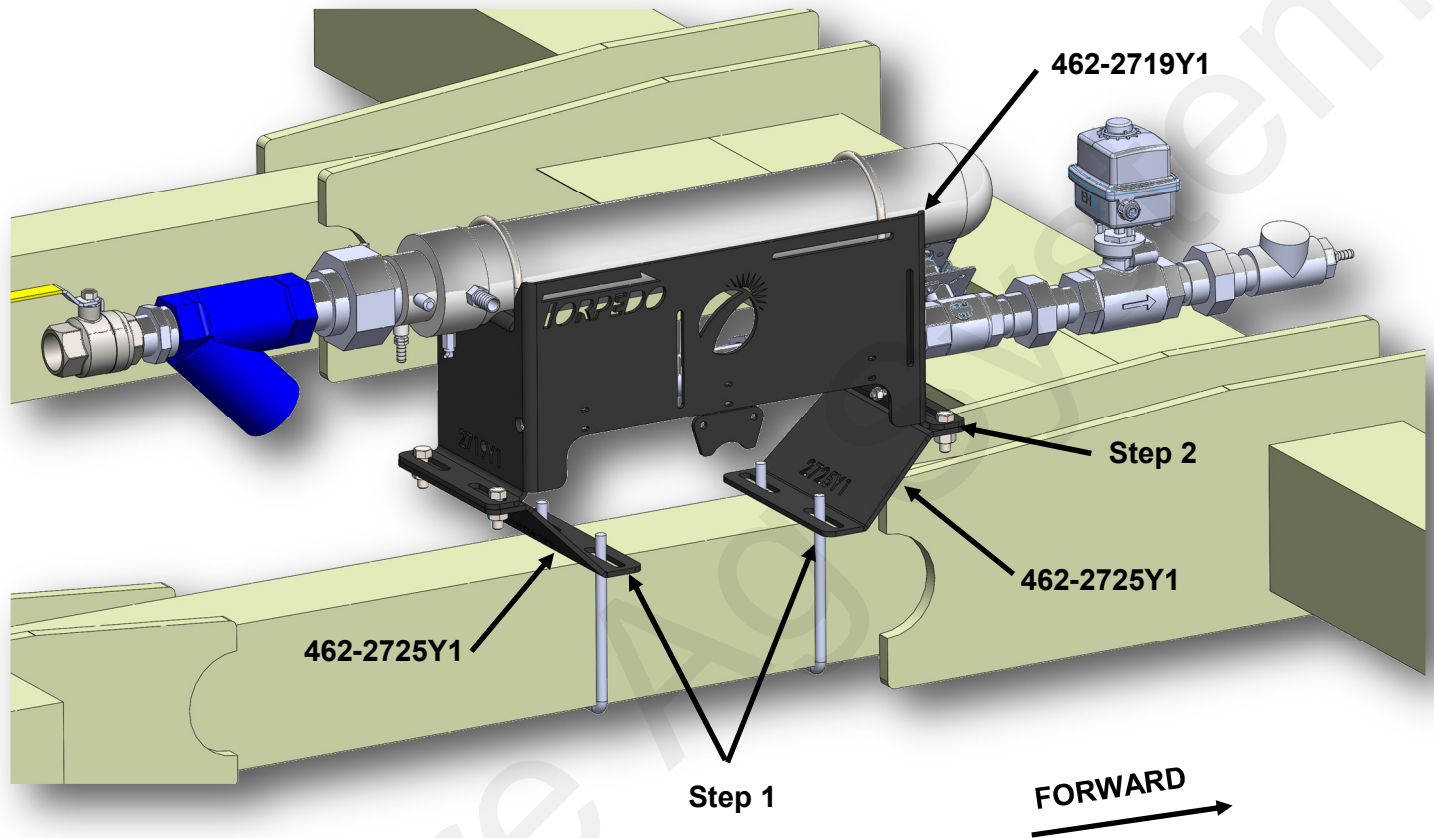
Parts List



ITEM NO.	PART NUMBER	DESCRIPTION	QTY.
1	462-3047Y1	4" Lift Bracket for Mounting Y Support Assem. (2740Y1) (5" Wide Bar)	1
2	462-2725Y1	Z Mounting Bracket for 2719Y1	2
3	380-1014	1/2" x 5" x 8-1/2" Square Bend U-Bolt	3
4	300-080108-5	1/2" x 1-1/2" HCS G5	6
5	323-08	1/2" Flange Nut	6



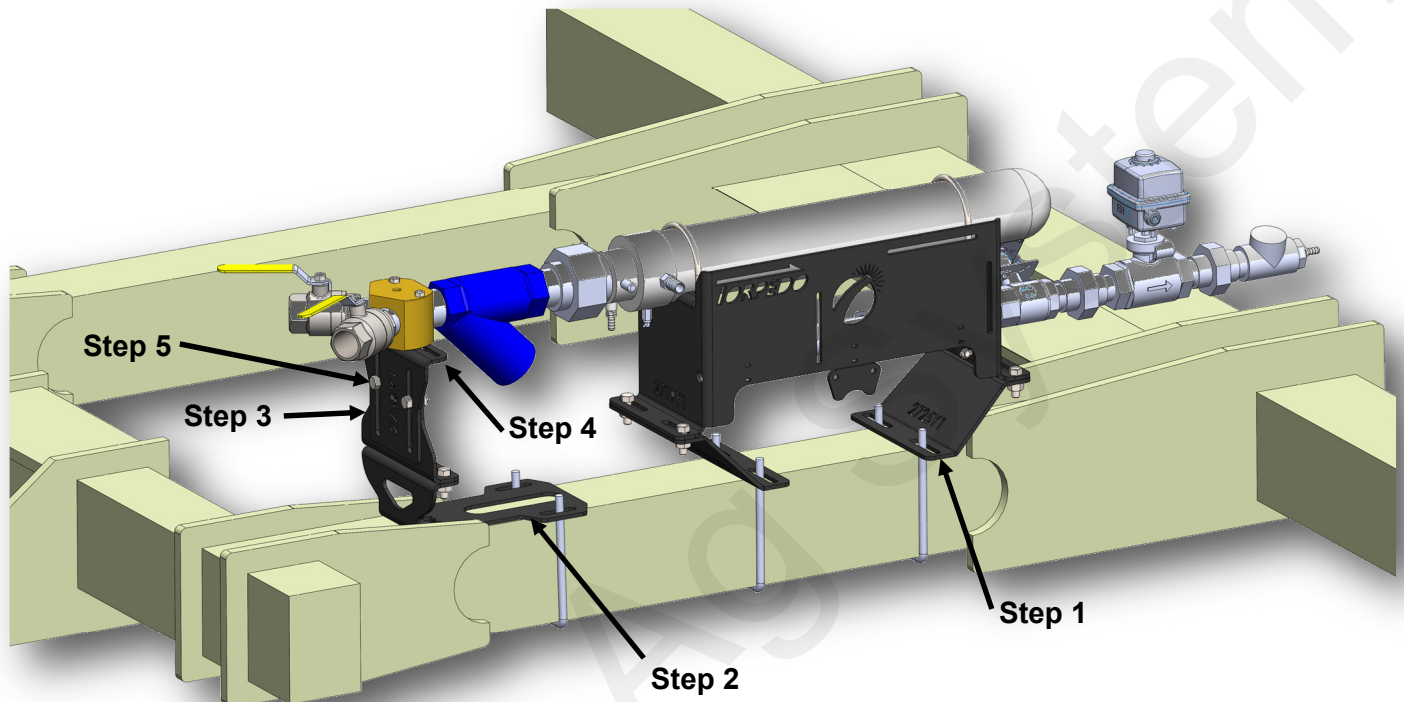
Step by Step Instructions for Installing Torpedo 100 & 200



1. Mount 'Z' Brackets (462-2725Y1) to the 5"x7" Tool Bar as shown in the picture above using the provided U-bolts (380-1014). Do not tighten the Nuts on the U-bolts to allow for adjustment in Steps 2 & 3.
2. Mount the Main Torpedo Bracket (462-2719Y1) on top of Brackets 462-2725Y1 as shown in picture above using the provided 1/2" Bolts and Flange Nuts. Wrench tighten.



Step by Step Instructions for Installing Torpedo 300



1. Follow Steps 1-3 on Page 4 for mounting the Torpedo Bracket w/ 'Z' Brackets to 5"x7" Bar.
2. Install 3047Y1 Bracket as shown in above picture. Do not tighten the Nuts on the U-bolt.
3. Bolt Adjustable Support Bracket (202-2740Y1) to the top of 3047Y1 Bracket as shown using provided hardware.
4. Once the Torpedo Bracket has been mounted with "Y" Splitter, slide and adjust 3047Y1 bracket until holes on top of 202-2740Y1 Bracket line up with "Y" Splitter holes. Insert Bolts and tighten "Y" Splitter to Bracket. Tighten U-bolt
5. Tighten bolts on adjustable bracket.