



396-2984Y1

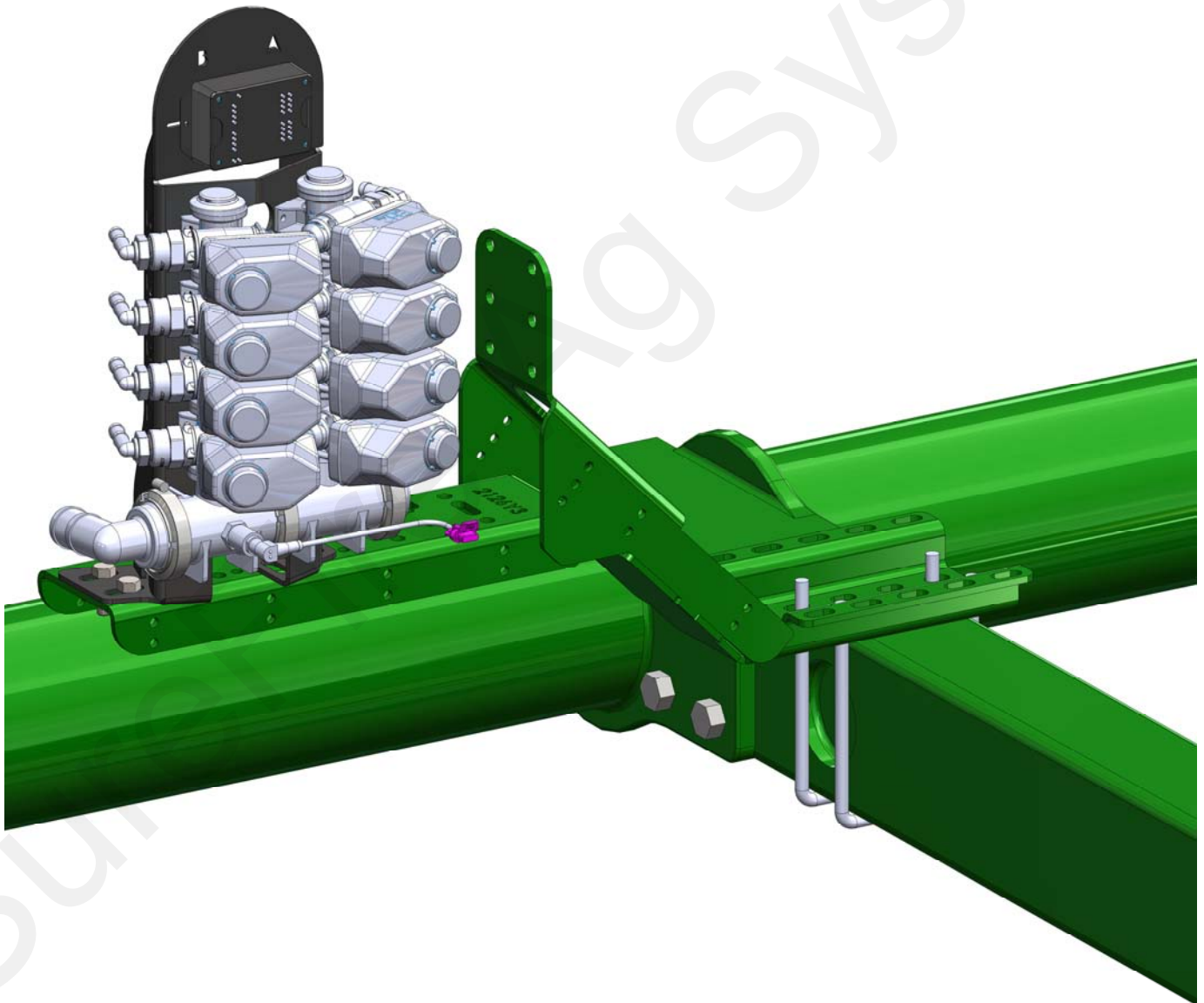
John Deere 1720/1725 CCS LiquiShift® or Section Valve Mounting Instructions

Planter Manufacturer:



JOHN DEERE

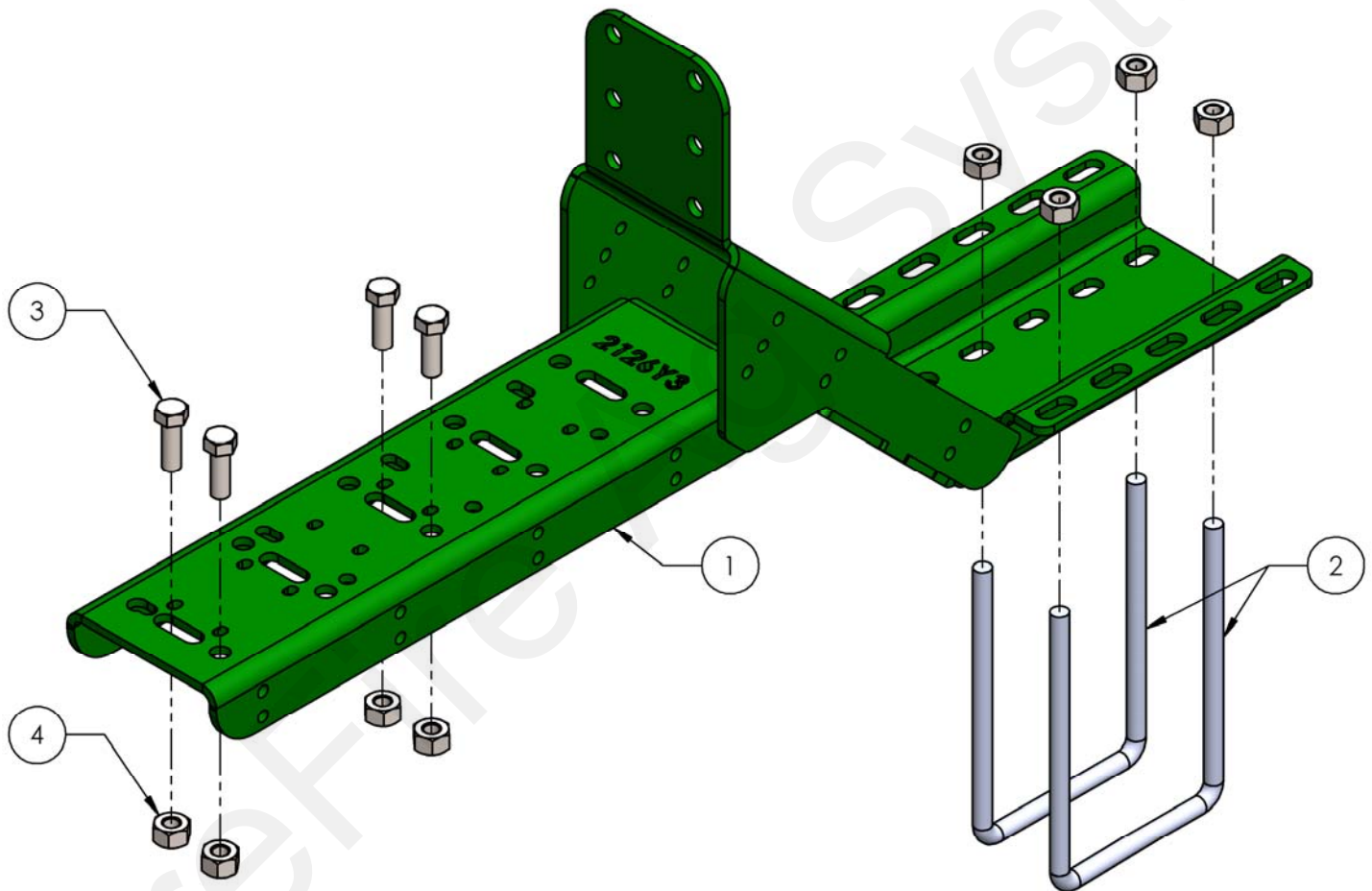
Kit Number: 515-200950





Parts List and Exploded View

ITEM NO.	PART NUMBER	DESCRIPTION	QTY.
1	400-2126Y3-GN	John Deere 1720/1725 Rear Extension	1
2	300-080108-5	1/2" x 1-1/2" Hex Head Bolt—G5	4
3	323-08	1/2" Flange Nut	4
4	380-1014	1/2" x 5" x 8-1/2" Square Bend U-Bolt Kit	2



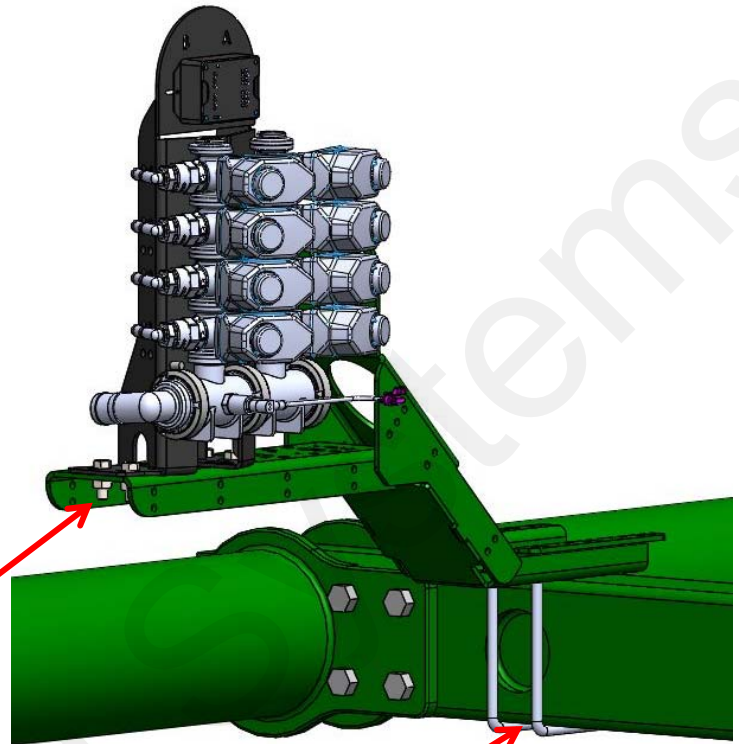


Step by Step Instructions

LiquiShift® Valve Stack

1. Loosely mount 400-2126Y3 bracket to 7x5 center planter frame using 1/2" x 5" x 8-1/2" U-bolts. The bracket is designed to be installed on the top or bottom side of the 7x5 frame, recommended location is the top for increased visibility.
2. Mount LiquiShift® Valve Stack to 400-2126Y3 bracket using four (4) 1/2" x 1-1/2" hex head bolts.
3. Check for clearance and wrench tighten all bolts and u-bolts.

Step 2



Step 1

Section Valve Installation

1. Loosely mount 400-2126Y3 bracket to 7x5 center planter frame using 1/2" x 5" x 8-1/2" U-bolts. The bracket is designed to be installed on the top or bottom side of the 7x5 frame, recommended location is the top for increased visibility.
2. Section valves (maximum of 4 Banjo or 6 KZ, ordered separately) can be mounted on this bracket. The section valves will mount as shown.
3. Check for clearance and wrench tighten all bolts and u-bolts.

