



396-2983Y1

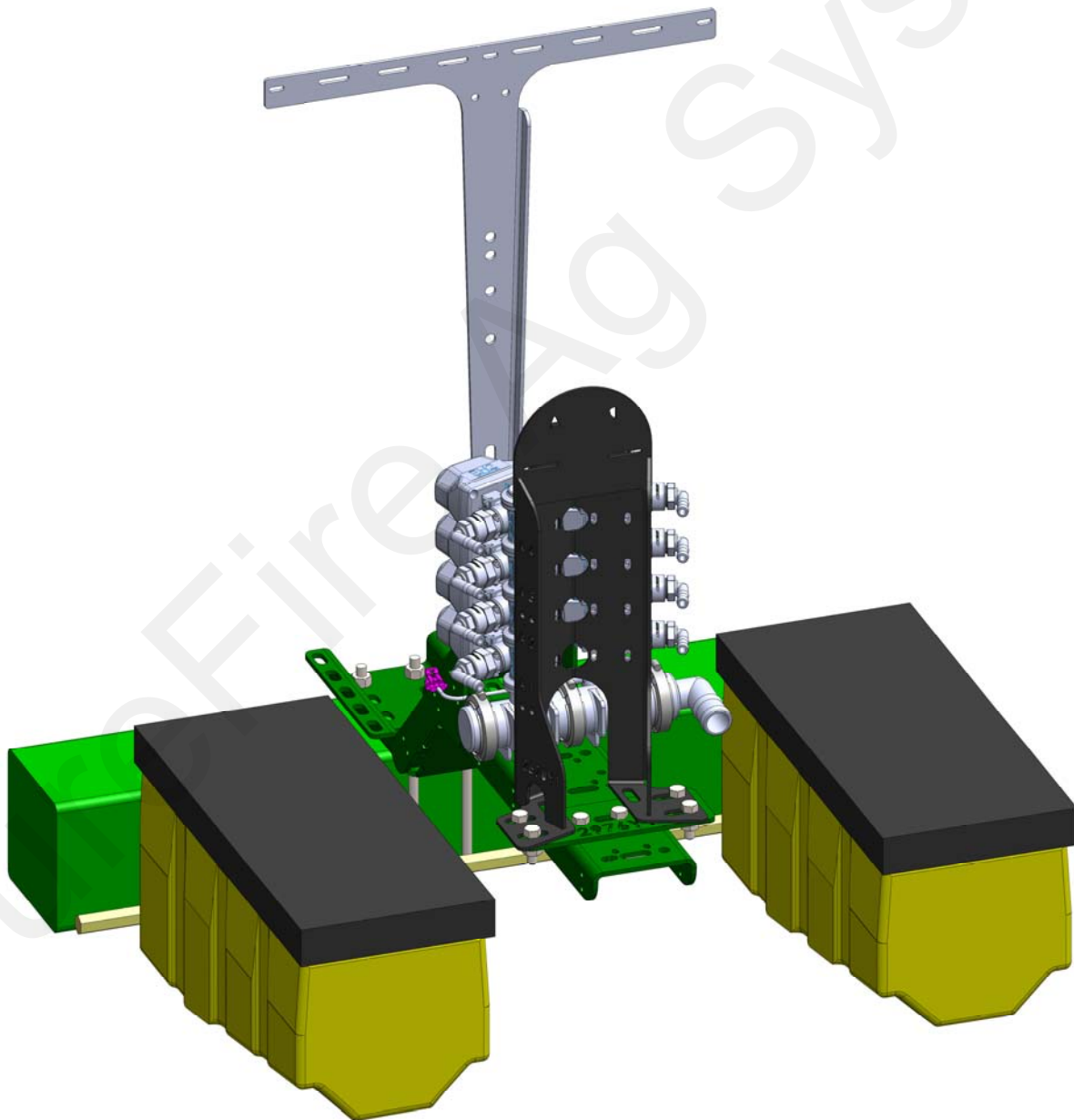
John Deere 1720/1725

Rear Extension Mount for

LiquiShift® Instruction Sheet

Planter Manufacturer:  **JOHN DEERE**

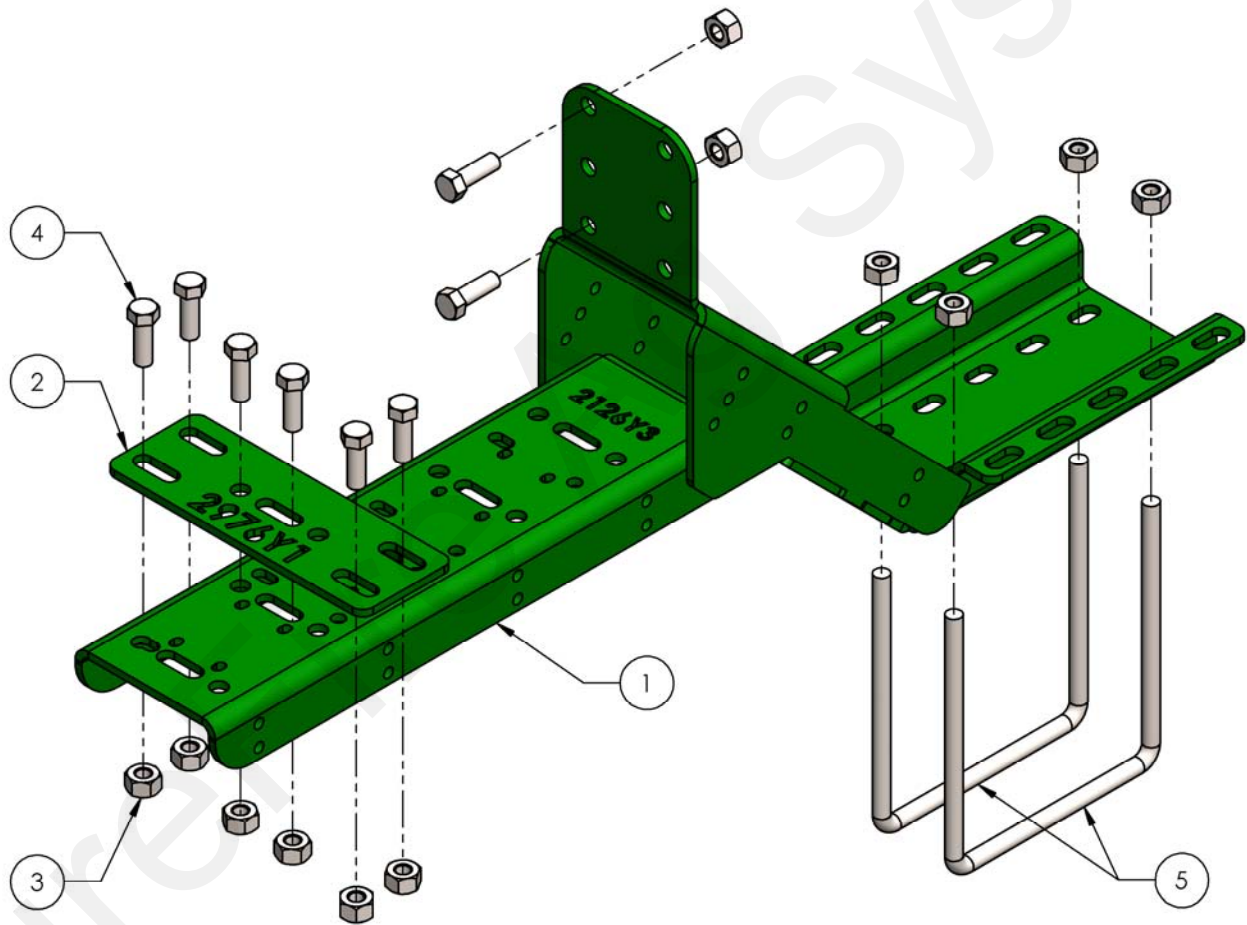
Kit Number: 515-200900





Parts List and Exploded View

ITEM NO.	PART NUMBER	DESCRIPTION	QTY.
1	400-2126Y3-GN	John Deere 1720/1725 Rear Extension	1
2	300-080108-5	1/2" x 1-1/2" Hex Head Bolt—G5	8
3	323-08	1/2" Flange Nut	8
4	400-2976Y1	LiquiShift Mounting Plate for JD 1720	1
5	380-1001	1/2" U-Bolt Kit—Fits 7x7 Tube*	2





Step by Step Instructions

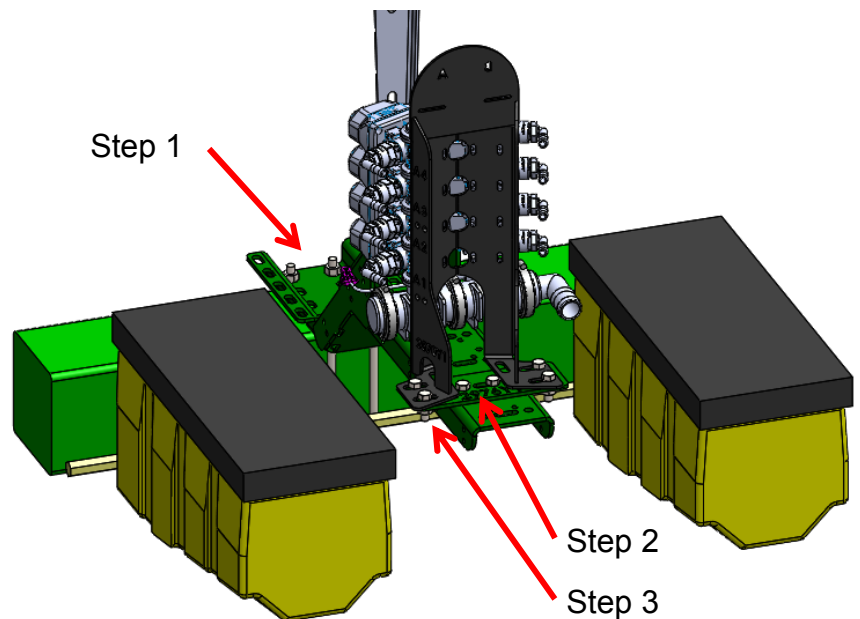
John Deere 1720



John Deere began mounting the electronics and air compressor on a mount in the very middle of the Model 1720 planter in late 2011. Between the seed boxes just right and left of center are two open locations where LiquiShift® Valve Stacks can be mounted. This bracket is designed to be installed in either of these locations.

LiquiShift® Valve Stack Mounting

1. Loosely mount 400-2126Y3 bracket to 7x7 planter toolbar in one of the locations above using 1/2" x 7" x 8-1/2" U-bolts provided with the kit. The bracket will fit over the seed drive hydraulic motor on the left side, if applicable. While the top side of the toolbar is recommend for increased visibility, the bracket is also designed to be installed on the bottom if necessary.
2. Attach LiquiShift® Bolt Plate, part number 400-2976Y1-GN, to extension bracket using two (2) 1/2" x 1-1/2" hex head bolts provided in kit.
3. Mount LiquiShift® Valve Stack bracket to plate using four (4) 1/2" x 1-1/2" hex head bolts.
4. Check for clearance and wrench tighten all bolts and u-bolts.





Additional Options

Flow Indicator T-Bracket

Flow Indicator Bracket

SureFire T-brackets for flow indicators can be mounted on the John Deere 1720/1725 bracket along with LiquiShift®.

1. Using two (2) 1/2" x 1-1/2" Hex Head Bolts and 1/2" flange nuts, attach flow indicator T-bracket (ordered separately) to the top portion (left or right row of holes) of the bracket.
2. Check for clearance and wrench tighten all bolts and u-bolts.

