



# 396-2979Y1

## John Deere - DR24

### 24 Row Stacker Planter

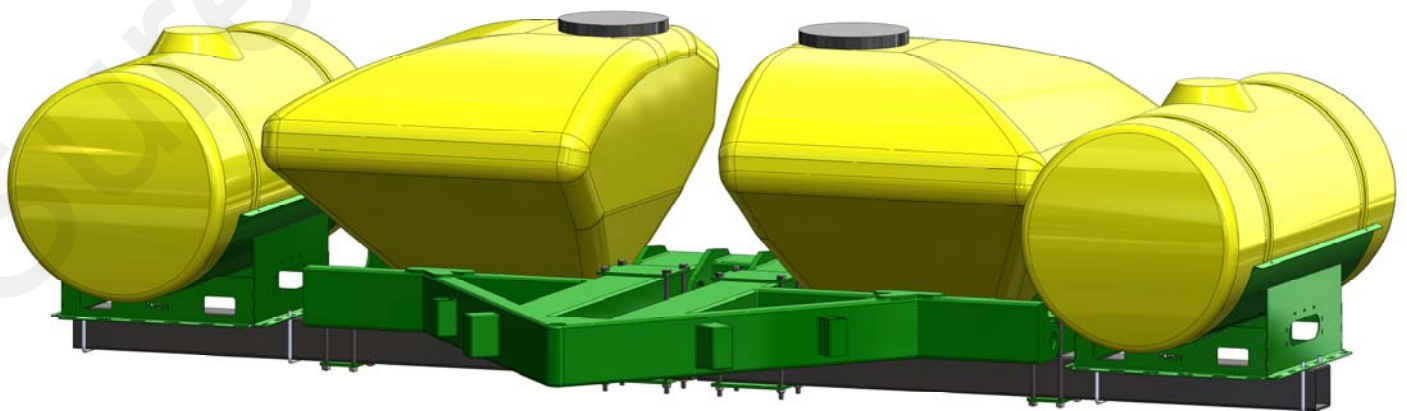
### Tank Mounting Instructions

Planter Manufacturer:



**JOHN DEERE**

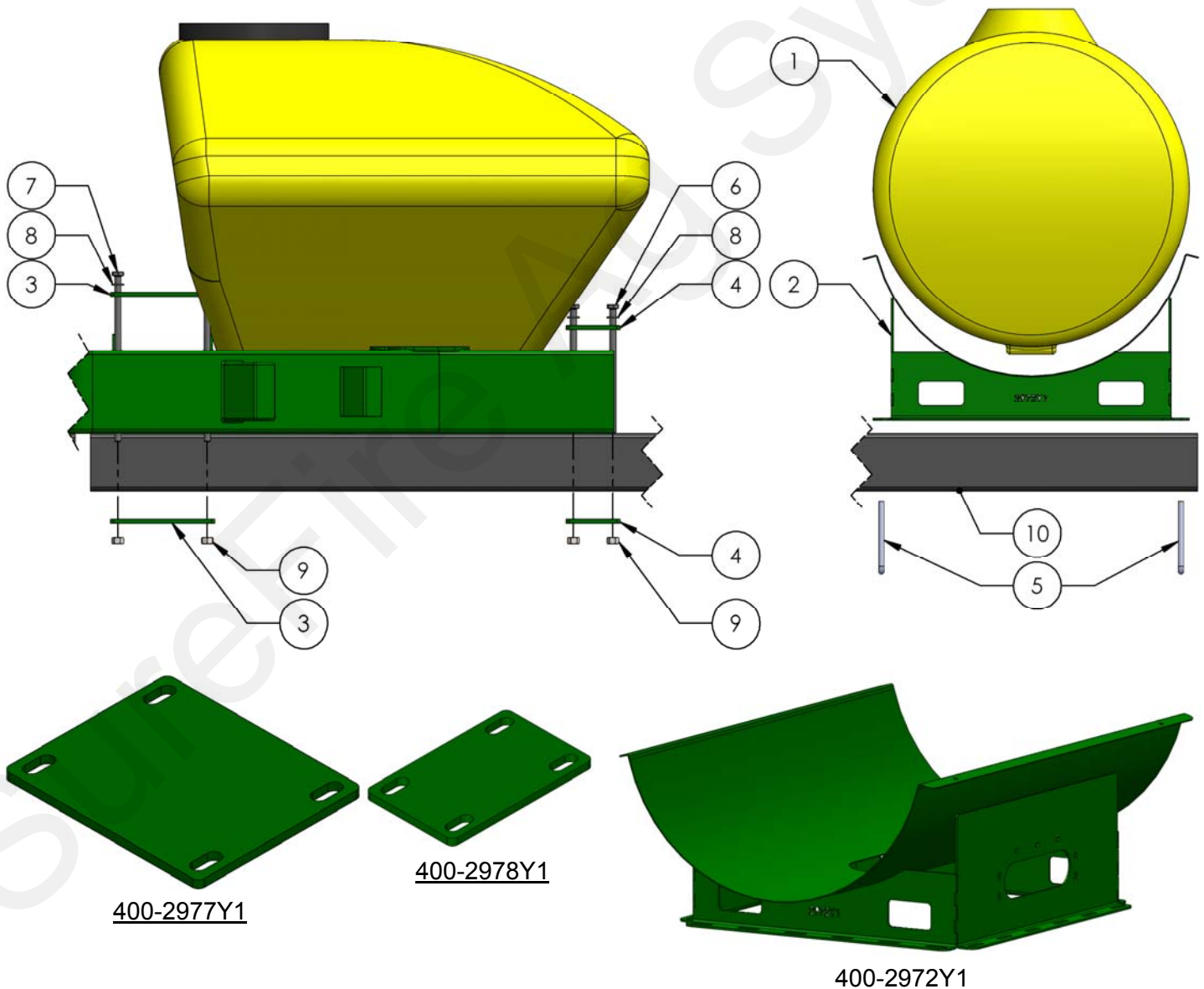
Kit Number: 530-01-750500





# Parts List and Exploded View

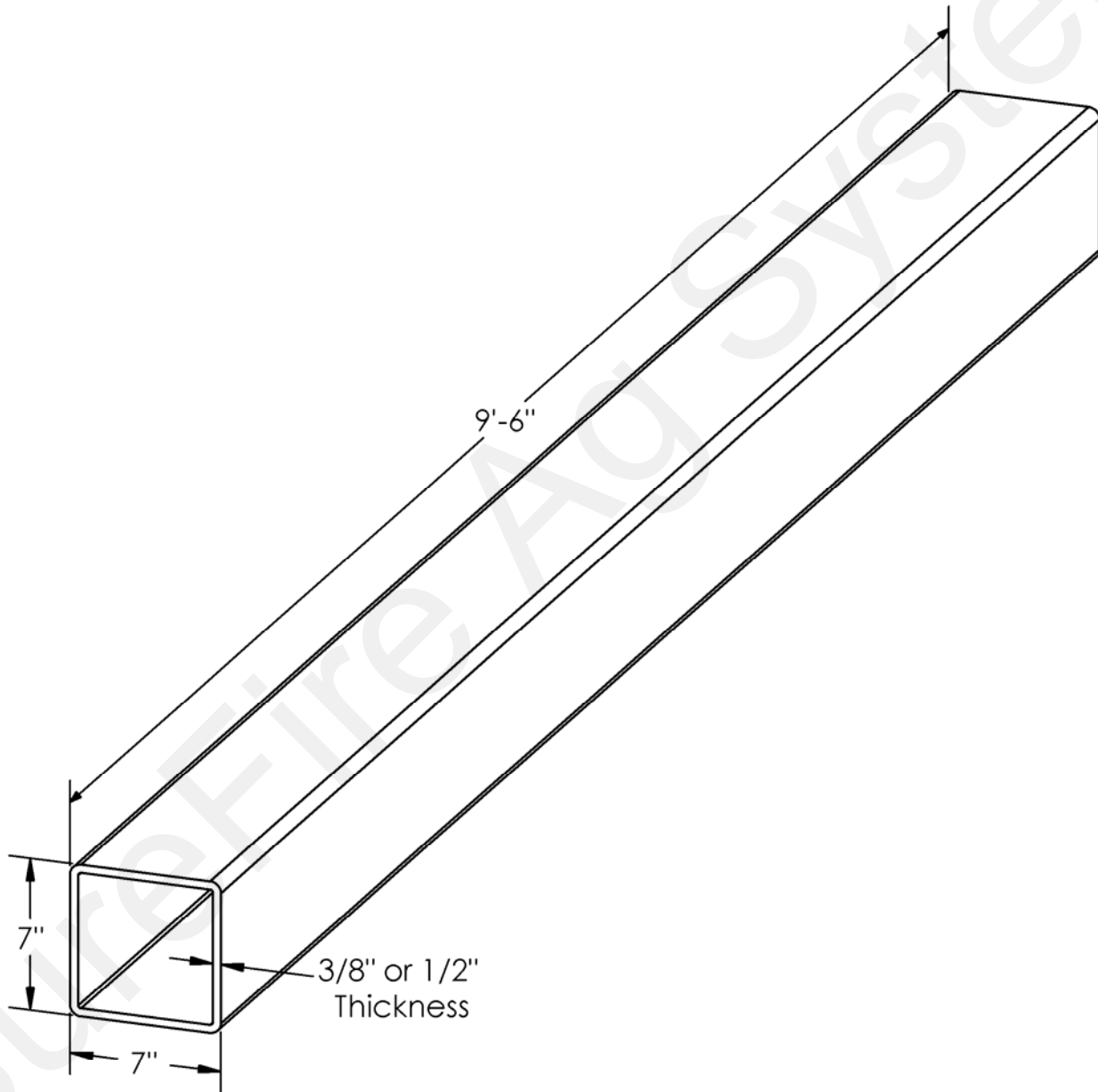
ITEM NO.	PART NUMBER	DESCRIPTION	QTY.
1	727-02-HZ00300SYSS	300 Gallon Round Horizontal Tank—Yellow	2
2	421-2972Y1	300 Gallon Round Tank Cradle	2
3	400-2977Y1	Deere Orthman 24 Row Backer Plate for 10x10 Frame	4
4	400-2978Y1	Deere Orthman 24 Row Backer Plate for 4x6 Frame	4
5	380-1040	5/8" x 7" x 8-1/2" Square Bend U-Bolt	4
6	300-121500-8	3/4" x 15" Hex Head Bolt—Grade 8	8
7	300-122200-8	3/4" x 20" Hex Head Bolt—Grade 8	8
8	330-12	3/4" Flat Washer	16
9	323-12	3/4" Flange Nut	16
10	(See Page 3)	Customer Supplied 7x7 Tube	2





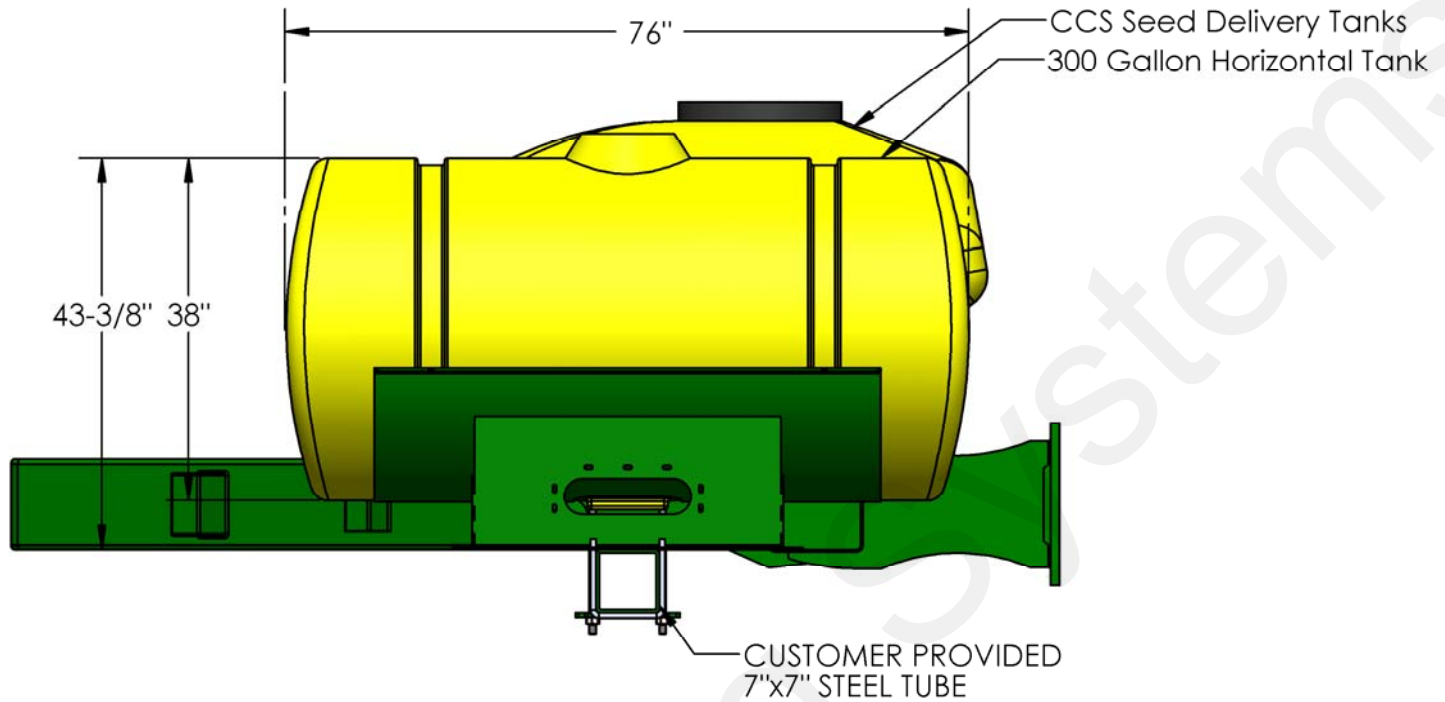
## Parts List and Exploded View

The 7" x 7" x 9'-6" tube is not supplied as part of the SureFire tank mounting kit and will need to be sourced locally from a metal supply shop.

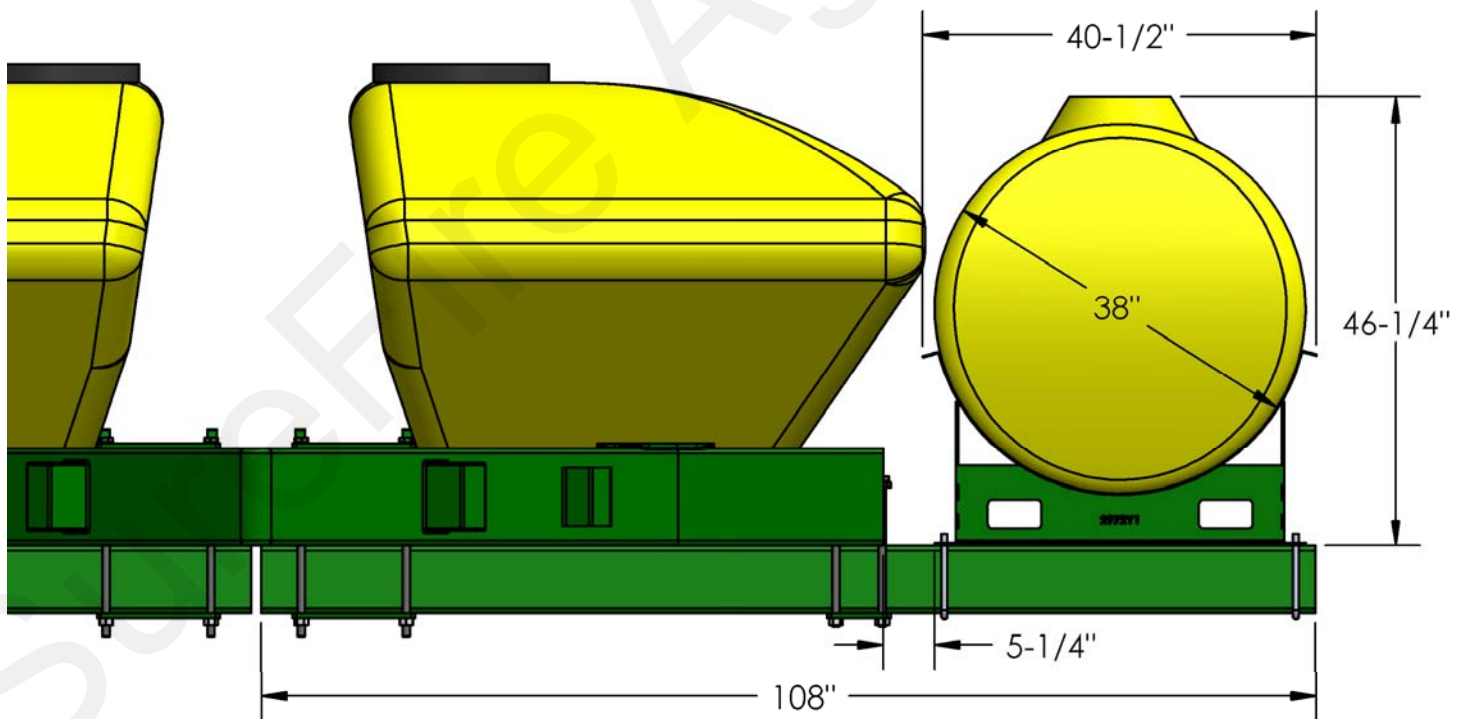




# General Installation Dimensions



## Side View



## Front View

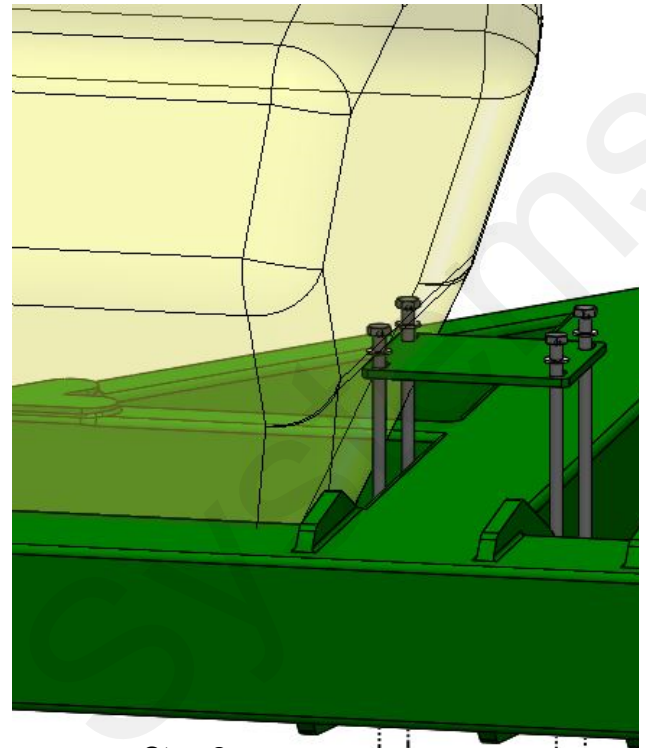
*Note: Actual dimensions of installation may vary. This diagram is only intended to be a guide.*



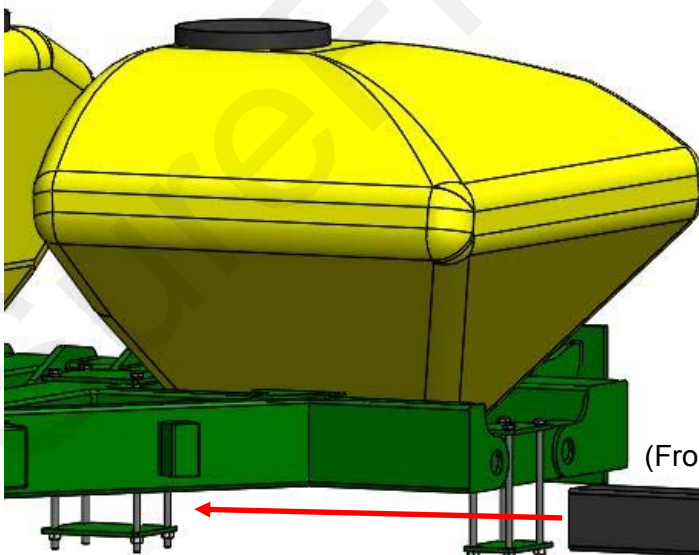
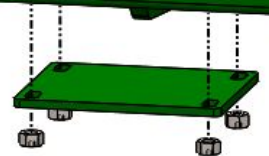


# Step by Step Instructions

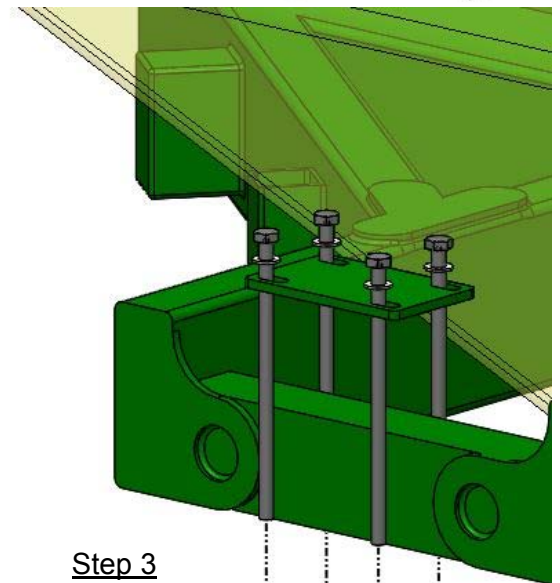
1. Position 7x7 tube under planter frame, centering the end of the tube between two center 10x10 planter frames. *Note: It may be necessary to use a forklift or tractor to hold the beam in place, as the beam will weigh approximately 400 lbs.*
2. Loosely attach two (2) 400-2977Y1 backer plates to 10x10 planter frame using four (4) 3/4"x20" hex head bolts, four (4) 3/4" flat washers, four (4) 3/4" flange nuts as shown.
3. Loosely attach two (2) 400-2978Y1 backer plates to 4x6 planter frame using four (4) 3/4"x15" hex head bolts, four (4) 3/4" flat washers, four (4) 3/4" flange nuts as shown. *Note: It may be necessary to temporarily remove electrical wiring box enclosure to install top plates.*



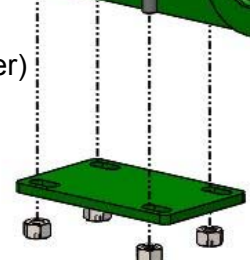
Step 2  
(Rear View of Planter)



Step 1  
(Front View of Planter)



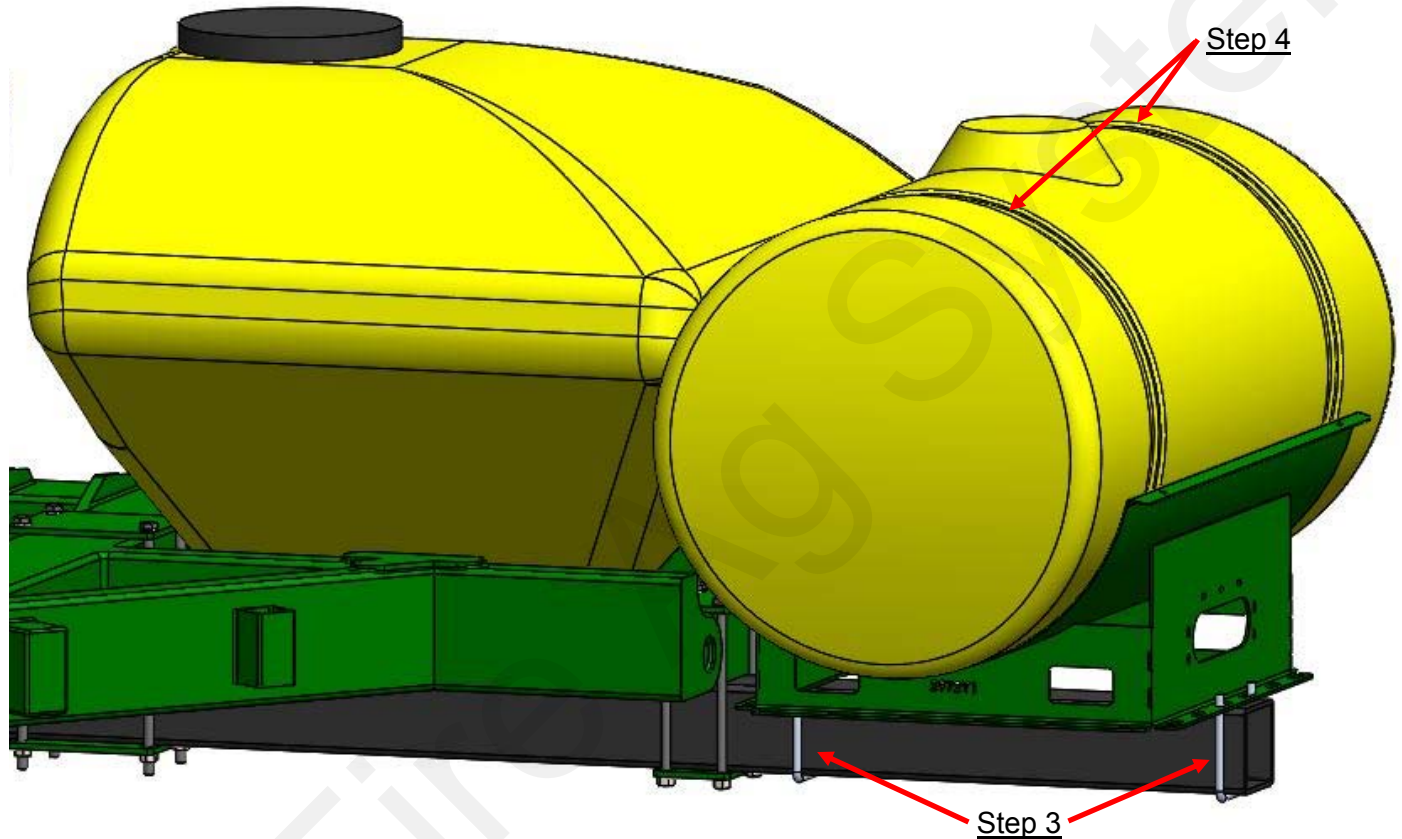
Step 3  
(Side View of Planter)





# Step by Step Instructions

- Loosely attach 300 Gallon Tank Cradle (Part Number 421-2972Y1) to 7x7 beam using two 5/8"x7x8-1/2" U-bolts.
- Center 300 Gallon round tank in cradle and tighten tank straps.



(Front View of Planter)

- Repeat Steps 1-4 for second tank.
- Unfold planter and inspect tank and brackets for clearance from planter wings. Adjust 7x7 tube left/right to achieve full tank clearance as needed and wrench tighten all bolts and u-bolts.

*Note: It is important to tighten tank straps again after the tank has been filled.*