



396-2947Y1

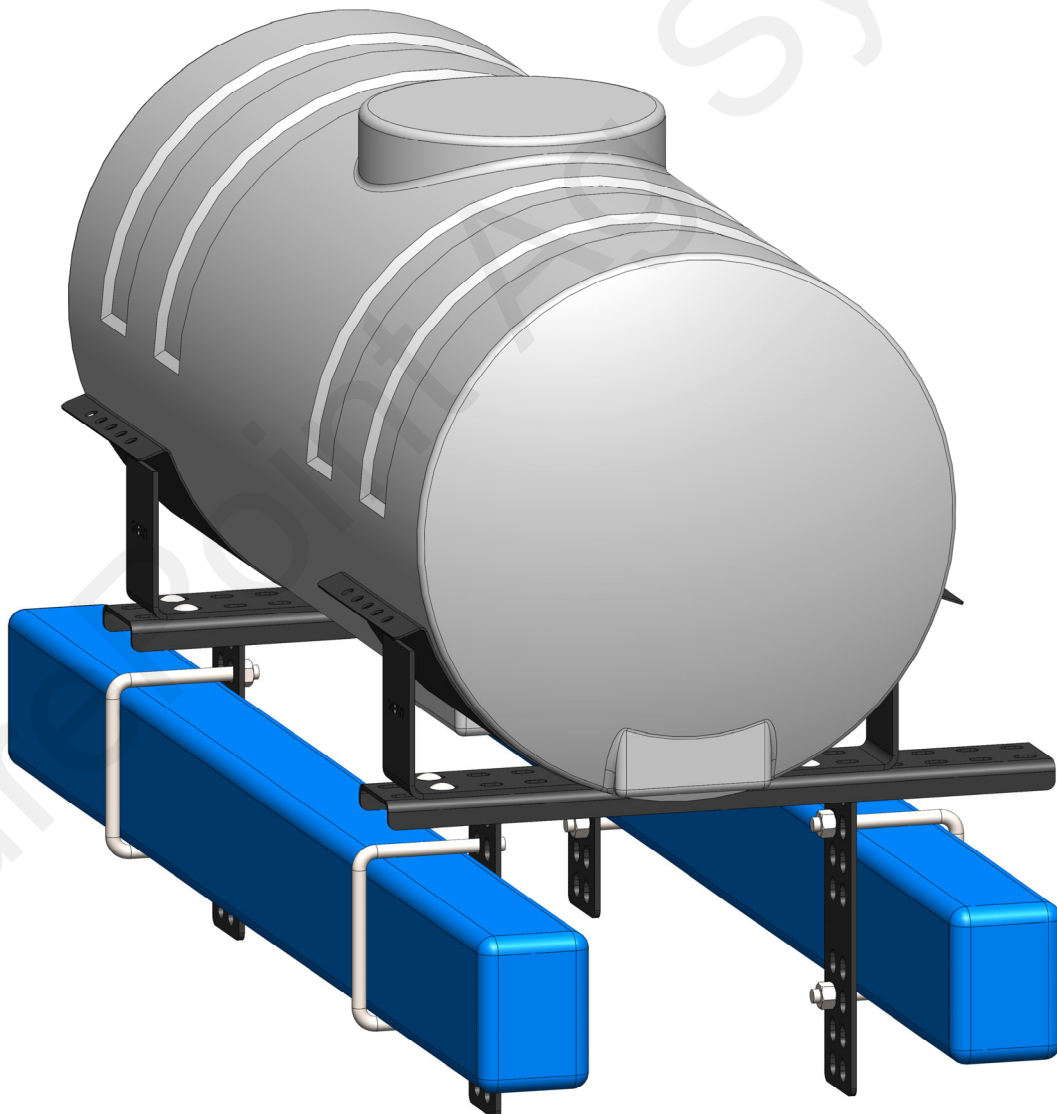
Kinze 2000/3000 Series Split-Row H-Style Mounting Instructions

Planter Manufacturer: **KINZE**

Kit Number: 530-03-200125 (100 Gallon Round)

Kit Number: 530-03-200150 (150 Gallon Elliptical)

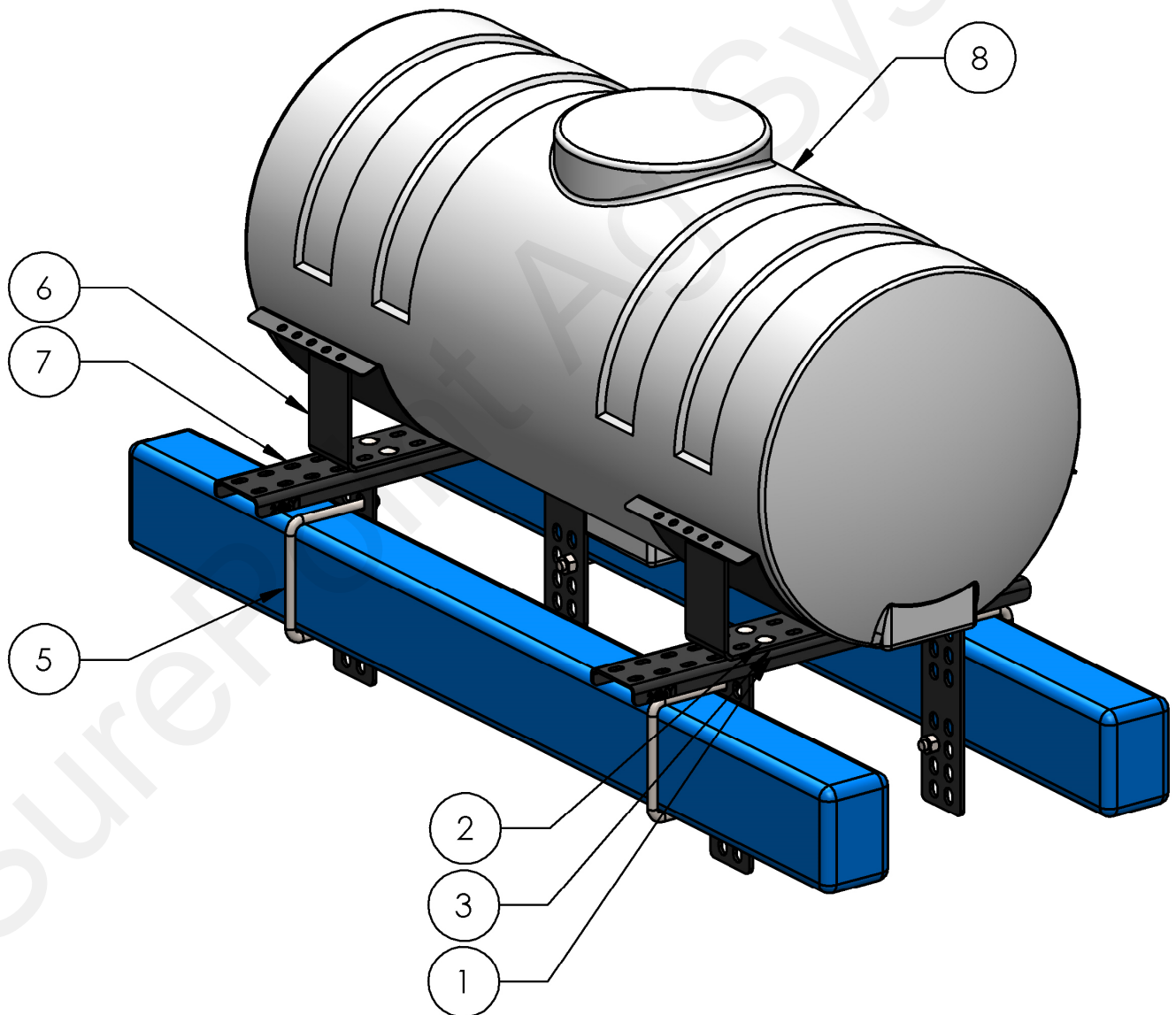
Kit Number: 530-03-200175 (150 Gallon Round)





Parts List and Exploded View 530-03-200125

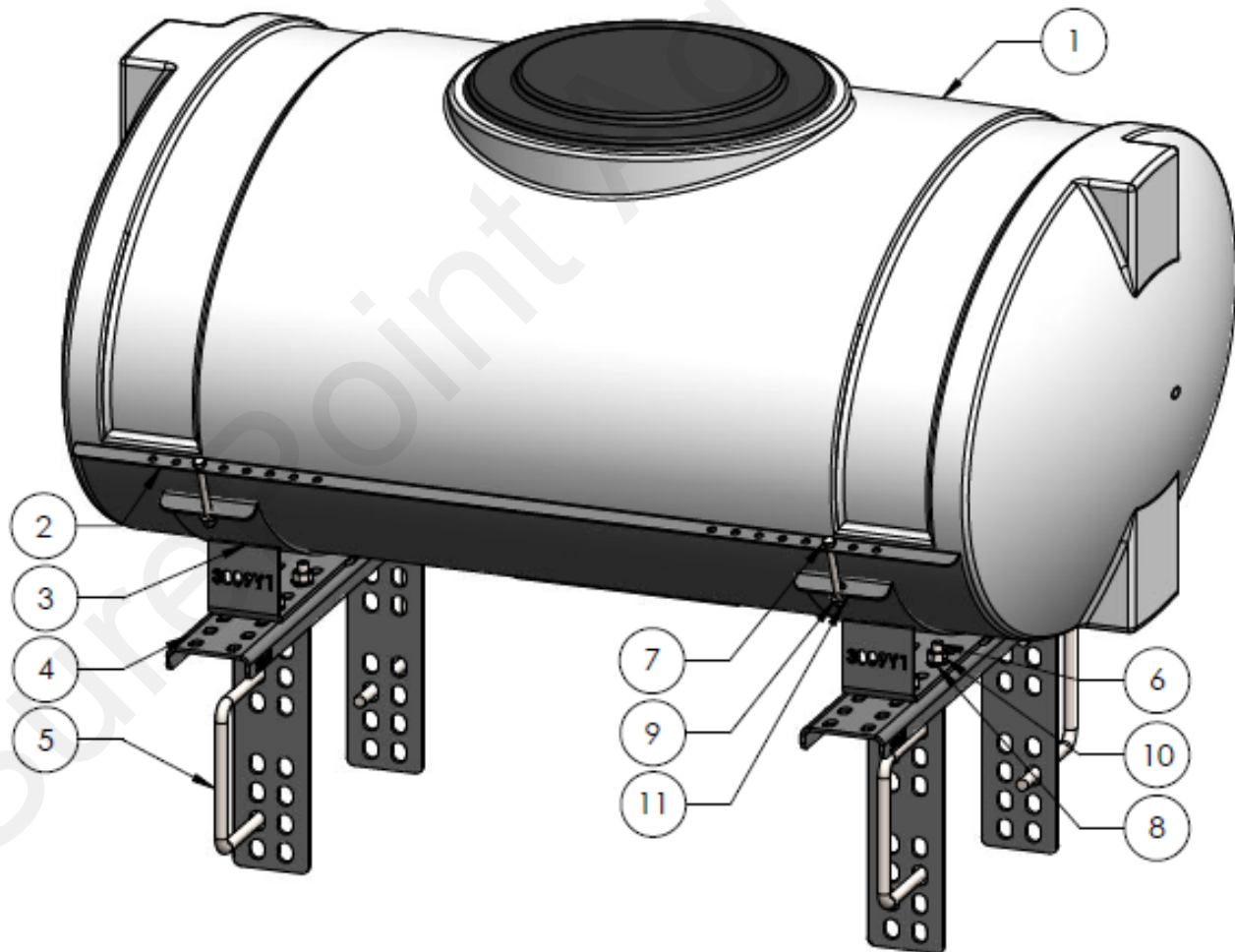
ITEM NO.	PART NUMBER	DESCRIPTION	QTY.
1	321-08	1/2" Nylock Nut	8
2	304-080108-5	Carriage Bolt - 1/2" x 1-1/2" G5	8
3	330-08	1/2" Flat Washer	8
4	525-2055	2" Strap Kit for Tanks 300 Gallon & Under	2
5	380-1045	5/8" U-Bolt Kit - fits 7" x 5" tube	4
6	420-2483Y1-BK	Black 23" Tank Saddle	2
7	420-2486Y1-BK	Black 24" Saddle "H" Mount	2
8	727-02-HZ0100-23-W	Horizontal Tank - 100 Gallon - 23" Diameter	1





Parts List and Exploded View 530-03-200150

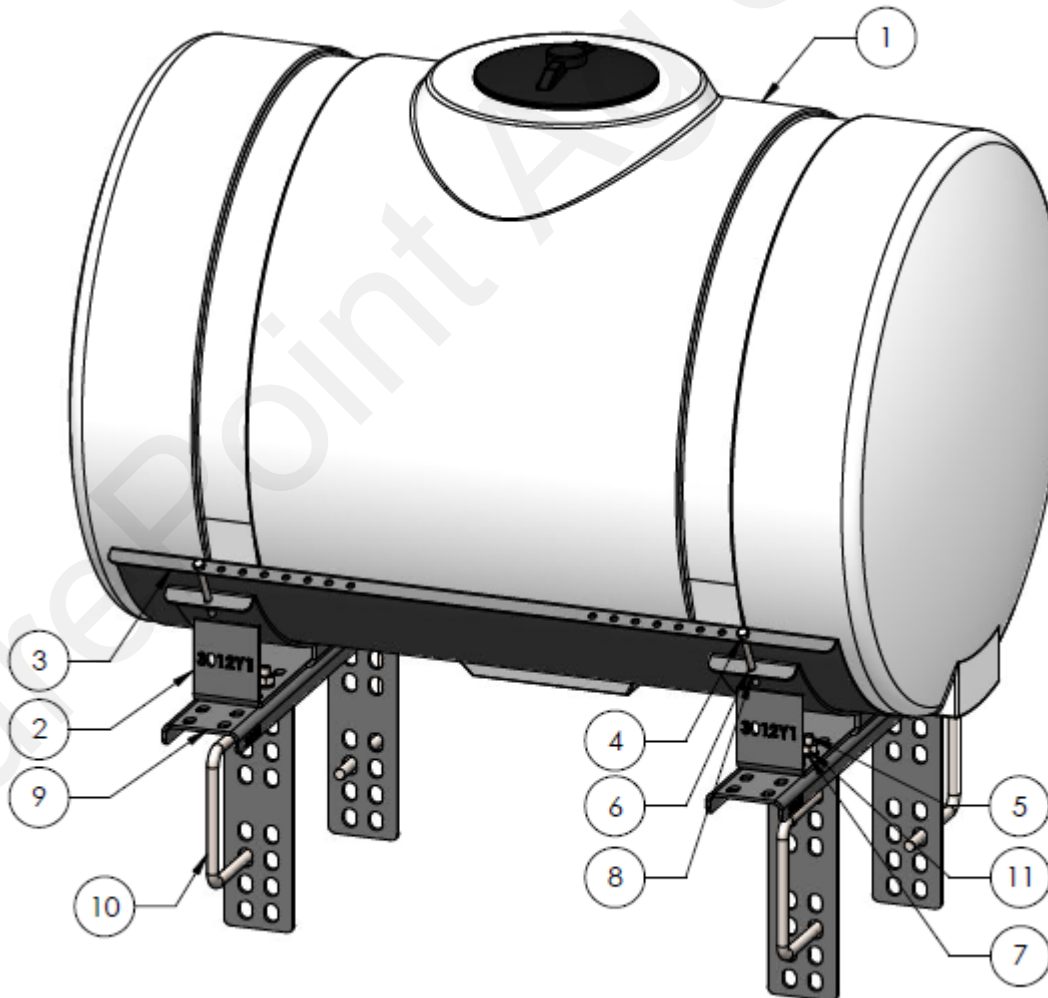
ITEM NO.	PART NUMBER	DESCRIPTION	QTY.
1	727-01-RAV150E-W	Elliptical Tank - 150 Gallon - White	1
2	420-3001Y1	150 Gallon Elliptical Tank Support Sheet	1
3	420-3009Y1	150 Gallon Elliptical Tank Saddle	2
4	420-2486Y1	Black 24" Saddle "H" Mount	2
5	380-1045	5/8" U-Bolt Kit - fits 7" x 5" tube	4
6	304-080108-5	Carriage Bolt 1/2" x 1-1/2" - G5	8
7	300-060400-5	3/8" x 4" Hex Head Bolt - G5	4
8	330-08	1/2" Flat Washer	8
9	330-06	3/8" Flat Washer	4
10	321-08	1/2" Nylock Nut	8
11	321-06-SS	3/8" Nylock Nut-SS	4
12	525-2055	2" Strap Kit for Tanks under 300 Gallon	2





Parts List and Exploded View 530-03-200175

ITEM NO.	PART NUMBER	DESCRIPTION	QTY.
1	727-02-HZ0150-32-W	Horizontal Tank - 150 Gal - White - 32"	1
2	420-3012Y1	32"Ø Tank Saddle	2
3	420-3003Y1	150 Gallon Round - 32"Ø - Tank Support Sheet	1
4	300-060400-5	3/8" x 4" Hex Head Bolt - G5	4
5	304-080108-5	Carriage Bolt 1/2" x 1-1/2" - G5	8
6	330-06	3/8" Flat Washer	4
7	330-08	1/2" Flat Washer	8
8	321-06-SS	3/8" Nylock Nut-SS	4
9	420-2486Y1	Black 24" Saddle "H" Mount	2
10	380-1045	5/8" U-Bolt Kit - fits 7" x 5" tube	4
11	321-08	1/2" Nylock Nut	8
12	525-2055	2" Strap Kit for Tanks under 300 Gallon	2

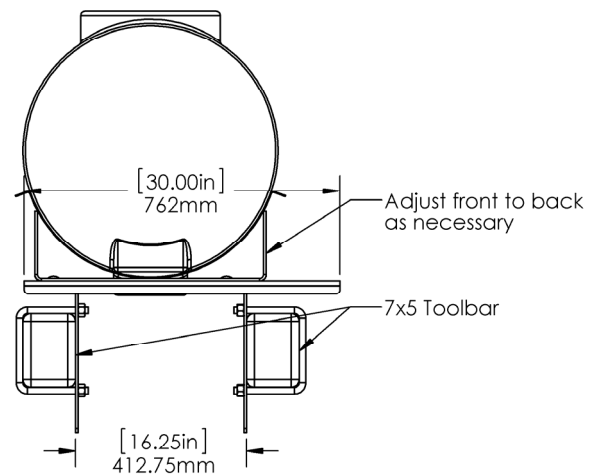
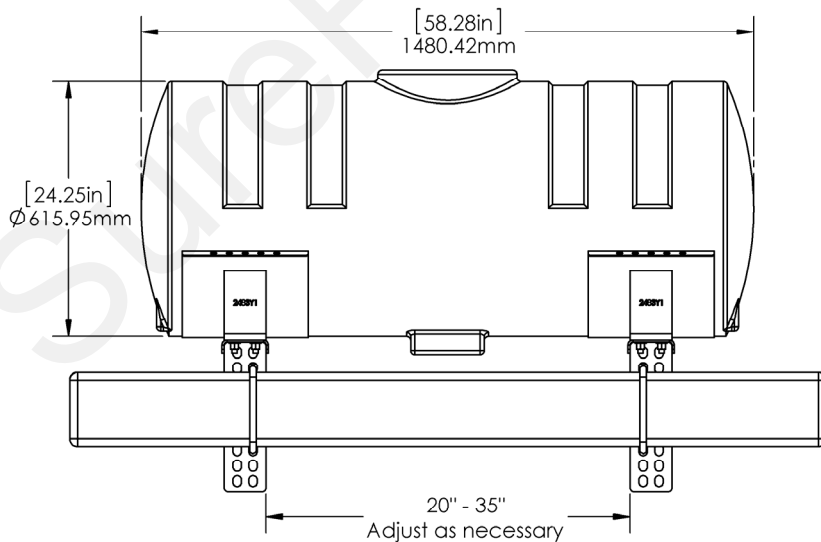
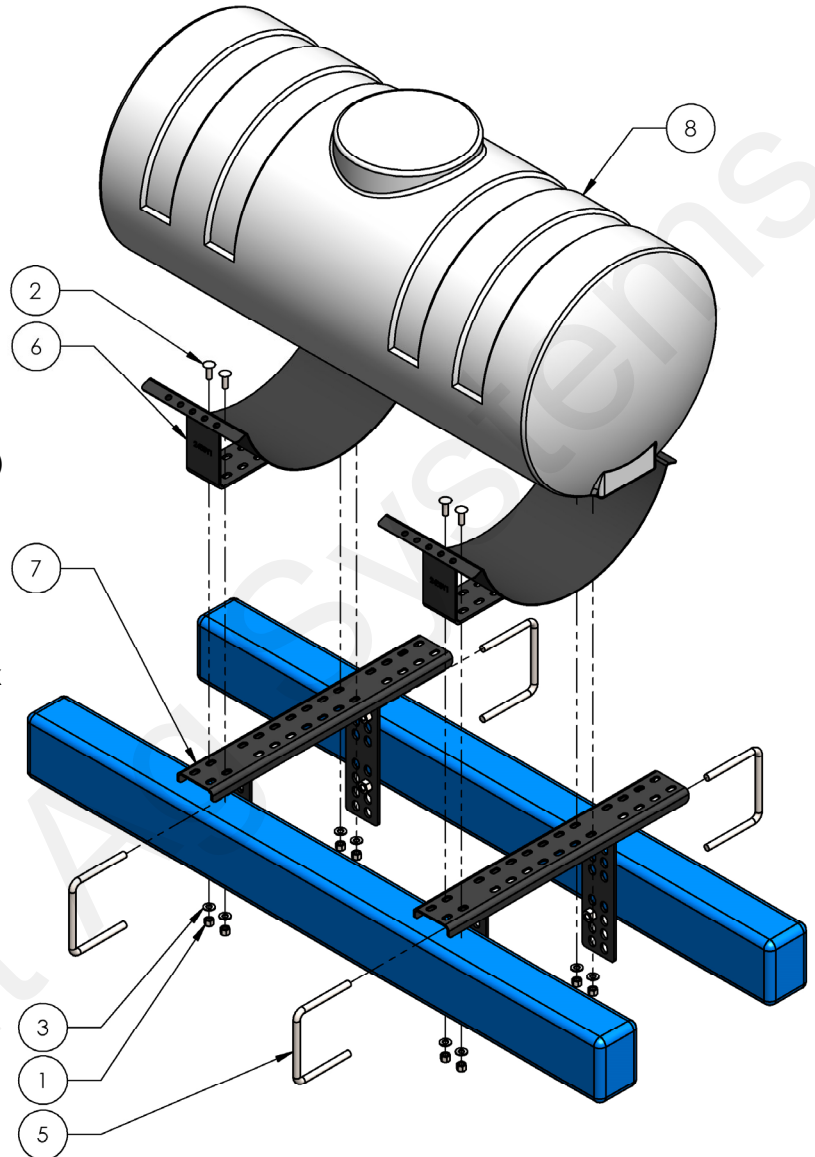




Step by Step Instructions

General Instructions:

1. Loosely u-bolt each H-mount bracket (Item 7) to toolbars with u-bolts (Item 5). *Note: H-mount may be spaced 20"-35" apart depending on space available for planter configuration.*
2. Position tank saddles (Item 6) on H-mount and loosely attach each saddle with four (4) 1/2" carriage bolts (Item 2), washers (Item 3) and nylock nuts (Item 1). *Note: Adjust saddles front to back as necessary.*
3. On 150 Gallon tanks, place tank saddles on H-mount brackets, then place the tank support sheet on the saddles. Secure the support sheet to the saddles using the 3/8" x 4" bolts and hardware.
4. Position tank (Item 8) in saddles and check for interferences. Fasten tank into the saddles using 2" tank straps (Not pictured) and tighten all nuts and bolts.
5. Re-tighten straps after filling the tank.





Dimensions and Spacing 150 Gallon Tanks

