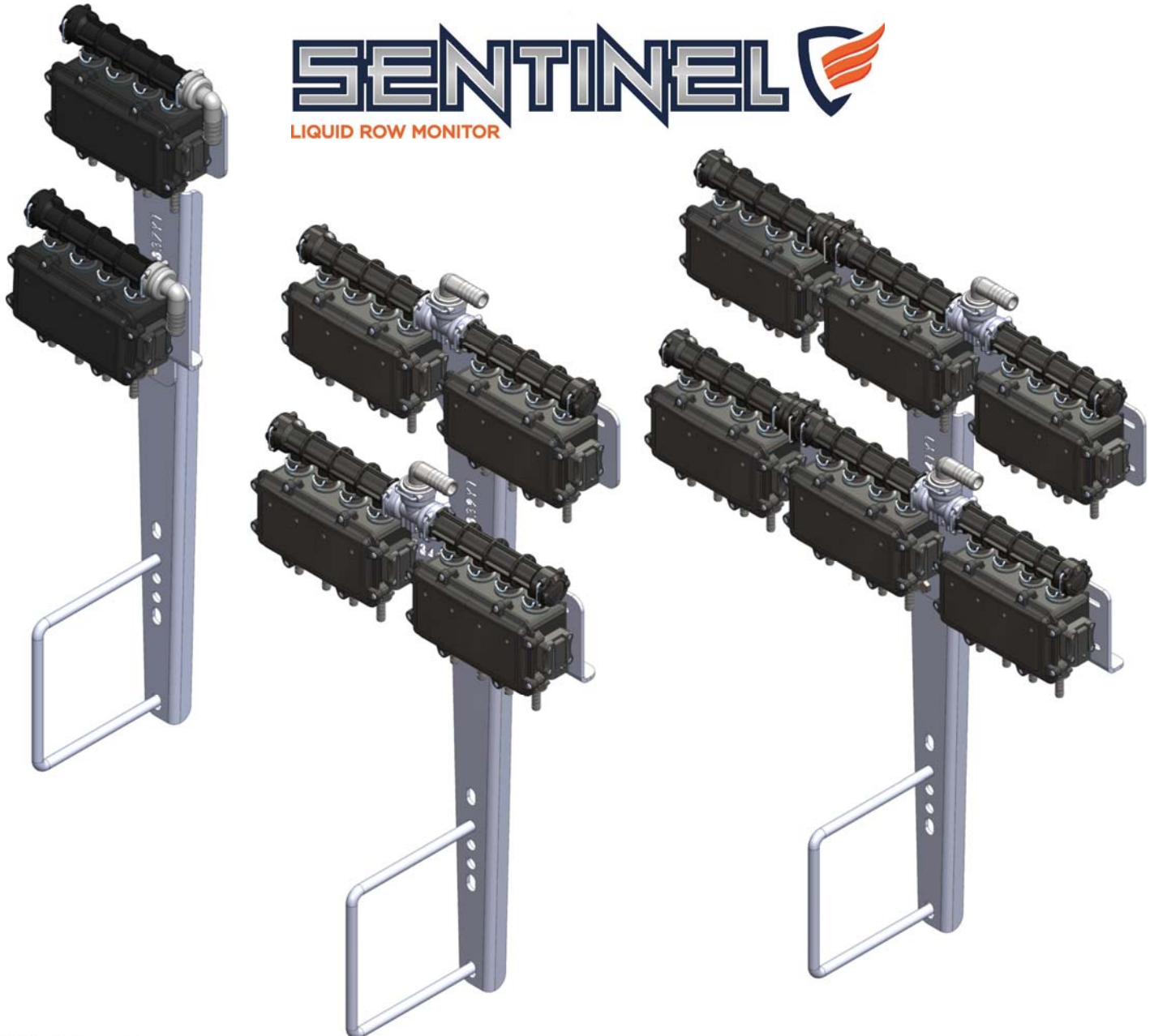




396-2938Y1

Sentinel™ Flowmeter Module Mounting Bracket and Plumbing Kit Installation Instructions



Kit Number:

515-100201: 4 Row Sentinel™ Flowmeter Mounting Bracket

515-100202: 8 Row Sentinel™ Flowmeter Mounting Bracket

515-100203: 12 Row Sentinel™ Flowmeter Mounting Bracket

(Plumbing fittings shown may vary)



Mounting Bracket Parts List

Kit Number: 515-100201

Kit Description: 4 Row Sentinel™ Flowmeter Module Mounting Bracket

ITEM NO.	PART NUMBER	DESCRIPTION	QTY.
1	400-2837Y1	Sentinel™ Flowmeter Module Mounting Bracket - 4 Row	1
2	380-XXXX	Square Bend U-Bolt Kit	1

*Size of U-Bolt varies, based on implement toolbar size.

Kit Number: 515-100202

Kit Description: 8 Row Sentinel™ Flowmeter Module Mounting Bracket

ITEM NO.	PART NUMBER	DESCRIPTION	QTY.
1	400-2839Y1	Sentinel™ Flowmeter Module Mounting Bracket - 8 Row	1
2	380-XXXX	Square Bend U-Bolt Kit	1

*Size of U-Bolt varies, based on implement toolbar size.

Kit Number: 515-100203

Kit Description: 12 Row Sentinel™ Flowmeter Module Mounting Bracket

ITEM NO.	PART NUMBER	DESCRIPTION	QTY.
1	400-2841Y1	Sentinel™ Flowmeter Module Mounting Bracket - 12 Row	1
2	380-XXXX	Square Bend U-Bolt Kit	1

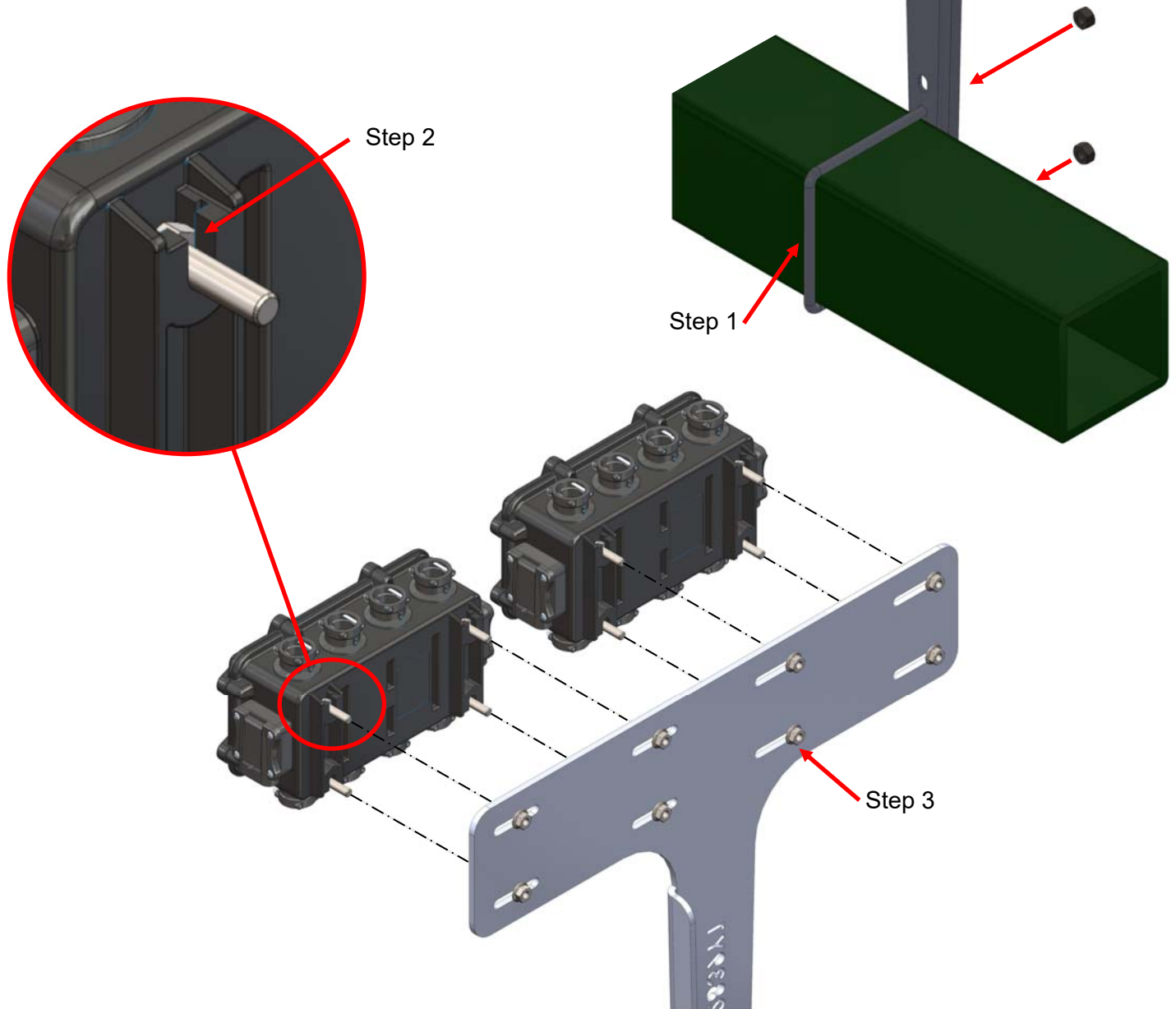
*Size of U-Bolt varies, based on implement toolbar size.



Step by Step Instructions

1. Attach T-Bracket to implement frame using included U-bolt and check for clearance.
2. Insert head of 3/8" bolts into flowmeter integrated holes as shown.
3. Attach Sentinel™ Flowmeter Module to T-Bracket and tighten flange nuts as shown. Do not to overtighten.

Note: 3/8" bolts and flange nuts are included with separate flowmeter kit.





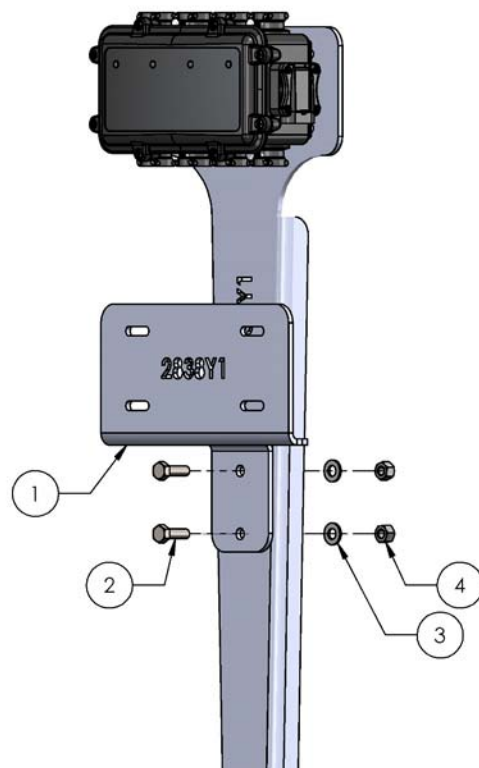
Optional Items that may be suggested for this equipment .

Kit Description: Additional Flowmeter Mounting Bracket Kit - 4 Row Kit Number: 515-100701

ITEM NO.	PART NUMBER	DESCRIPTION	QTY.
1	400-2838Y1	Additional Sentinel™ Flowmeter Module Mounting Bracket - 4 Row	1
2	300-060100-5	3/8" x 1" Hex Head Bolt - G5	2
3	323-06	3/8" Flange Nut	2

1. Attach additional flowmeter mounting bracket to T-Bracket using 3/8" bolts, washers and nylock nuts as shown.
2. Attach Sentinel™ Flowmeter to additional bracket and tighten flange nuts. (Step 3, Page 3)

Note: 3/8" bolts and flange nuts are included with separate flowmeter kit.

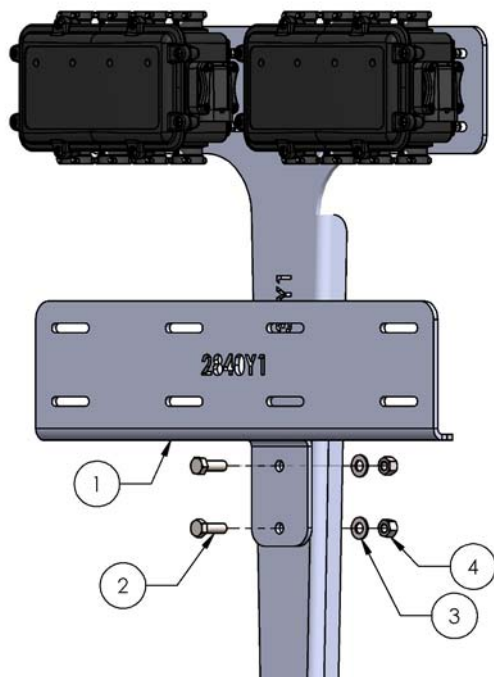


Kit Description: Additional Flowmeter Mounting Bracket Kit - 8 Row Kit Number: 515-100702

ITEM NO.	PART NUMBER	DESCRIPTION	QTY.
1	400-2840Y1	Additional Sentinel™ Flowmeter Module Mounting Bracket - 8Row	1
2	300-060100-5	3/8" x 1" Hex Head Bolt - G5	2
3	323-06	3/8" Flange Nut	2

1. Attach additional flowmeter mounting bracket to T-Bracket using 3/8" bolts, washers and nylock nuts as shown.
2. Attach Sentinel™ Flowmeter to additional bracket and tighten flange nuts. (Step 3, Page 3)

Note: 3/8" bolts and flange nuts are included with separate flowmeter kit.





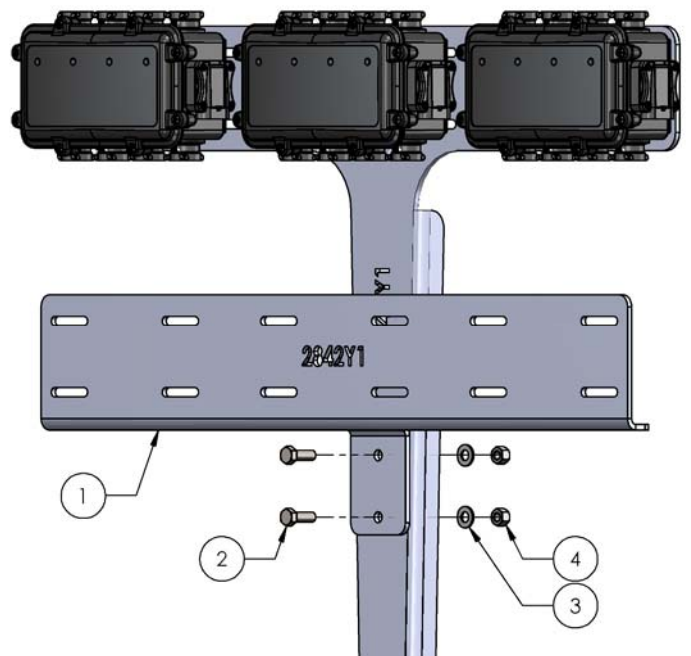
Optional Items that may be suggested for this equipment .

Kit Description: Additional Flowmeter Mounting Bracket Kit - 12 Row
Kit Number: 515-100703

ITEM NO.	PART NUMBER	DESCRIPTION	QTY.
1	400-2842Y1	Additional Sentinel(TM) Flowmeter Module Mounting Bracket - 12 Row	1
2	300-060100-5	3/8" x 1" Hex Head Bolt - G5	2
3	323-06	3/8" Flange Nut	2

1. Attach additional flowmeter mounting bracket to T-Bracket using 3/8" bolts, washers and nylock nuts as shown.
2. Attach Sentinel™ Flowmeter to additional bracket and tighten flange nuts. (Step 3, Page 3)

Note: 3/8" bolts and flange nuts are included with separate flowmeter kit.





Plumbing Kit Parts List Single Flowmeter Module

Kit Number: 515-00-010100

Kit Description: Single Flowmeter - 1/4" QC Outlet

Kit Number: 515-00-010200

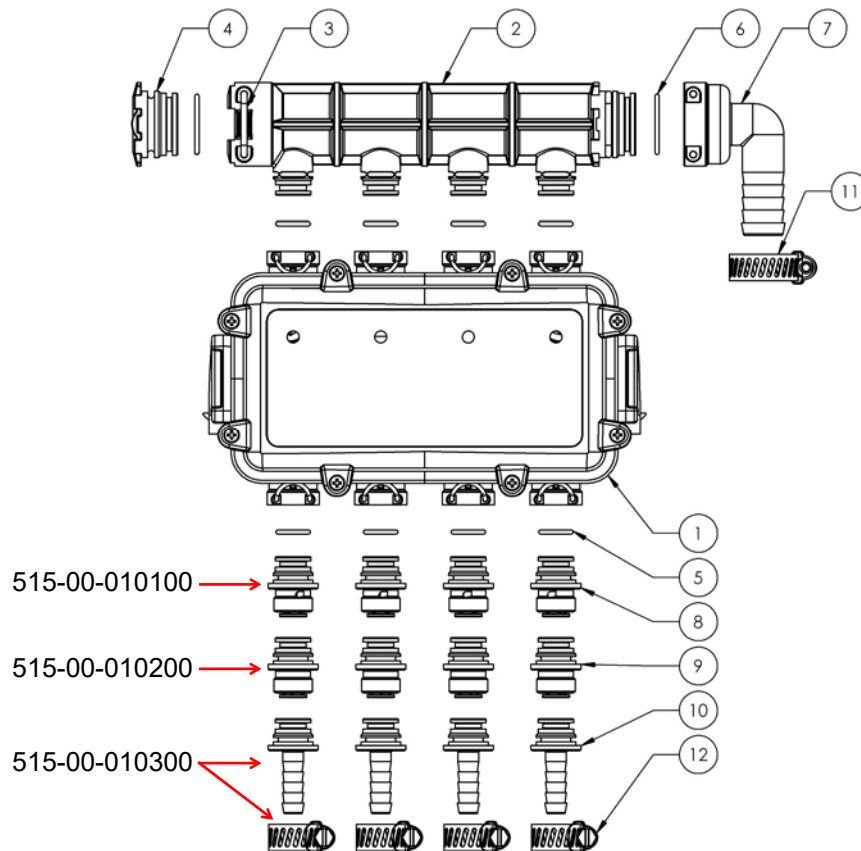
Kit Description: Single Flowmeter - 3/8" QC Outlet

Kit Number: 515-00-010300

Kit Description: Single Flowmeter - 3/8" HB Outlet

Note: Kit numbers listed and parts list are for retrofit kits. New system kits will be almost identical, but will include all parts required for a full system installation.

ITEM NO.	PART NUMBER	DESCRIPTION	QTY.
1	204-01-4625AAGB1B1	Sentinel™ Flowmeter Module	1
2	120-T3MT3F-4XT1M	T3 Male/Female Manifold w/ (4)T1 Male Outlets	1
3	124-02-010003	T3 Fork	2
4	120-T3MPLUG	T3 Male FC Plug	1
5	124-01-G11056-V	Viton O-Ring for T1 fittings	8
6	124-01-G11058-V	Viton O-Ring for T3 fittings	2
7	121-T3F075-90	T3 Female FC x 3/4" HB - 90 Degree	1
8	120-T1M025QC	T1 Male x 1/4" QC	4
9	120-T1M038QC	T1 Male x 3/8" QC	4
10	121-T1M038	T1 Male FC x 3/8" HB	4
11	350-1208	SS Hose Clamp - Size 12 - 1-1/4" Diameter	1
12	350-0605	SS Hose Clamp - Size 6 - 7/8" Diameter	4
13	384-1105	Hardware Kit - 5/16" x 1" Bolt & Flange Nuts	1





Plumbing Kit Parts List Dual Flowmeter Module

Kit Number: 515-00-020100

Kit Description: Dual Flowmeter - 1/4" QC Outlet

Kit Number: 515-00-020200

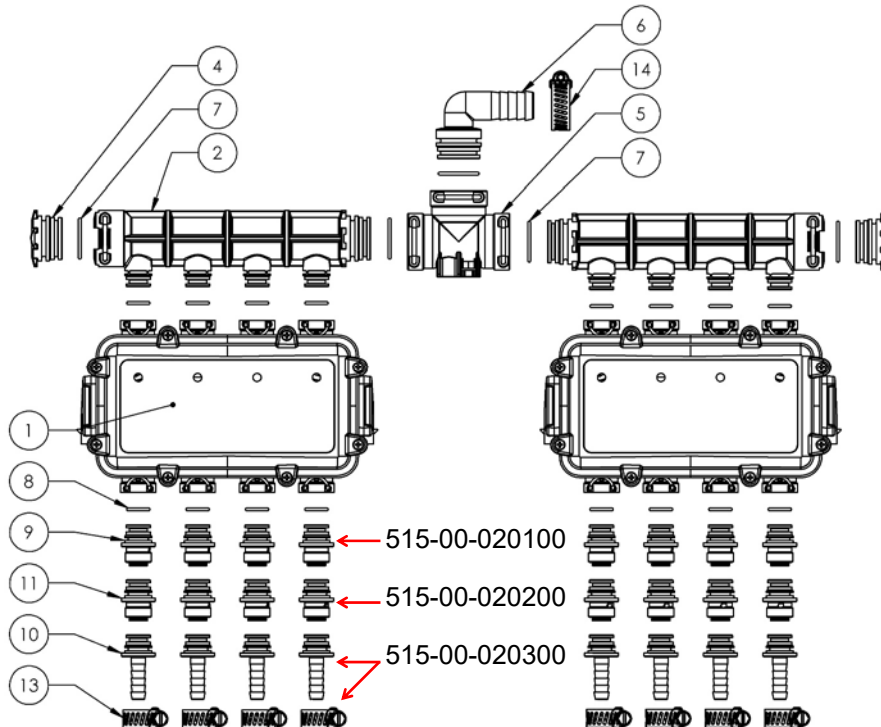
Kit Description: Dual Flowmeter - 3/8" QC Outlet

Kit Number: 515-00-020300

Kit Description: Dual Flowmeter - 3/8" HB Outlet

Note: Kit numbers listed and parts list are for retrofit kits. New system kits will be almost identical, but will include all parts required for a full system installation.

ITEM NO.	PART NUMBER	DESCRIPTION	QTY.
1	204-01-4625AAGB1B1	Sentinel™ Flowmeter Module	2
2	120-T3MT3F-4XT1M	T3 Male/Female Manifold w/ (4)T1 Male Outlets	2
3	124-02-010003	T3 Fork	5
4	120-T3MPLUG	T3 Male FC Plug	2
5	120-T3FTEE	T3 Tee	1
6	121-T3M075-90	T3 Male FC x 3/4" HB - 90 degree	1
7	124-01-G11058-V	Viton O-Ring for T3 fittings	5
8	124-01-G11056-V	Viton O-Ring for T1 fittings	16
9	120-T1M025QC	T1 Male x 1/4" QC	8
10	121-T1M038	T1 Male FC x 3/8" HB	8
11	120-T1M038QC	T1 Male x 3/8" QC	8
12	384-1105	Hardware Kit - 5/16" x 1" Bolt & Flange Nuts	2
13	350-0605	SS Hose Clamp - Size 6 - 7/8" Diameter	8
14	350-1208	SS Hose Clamp - Size 12 - 1-1/4" Diameter	1





Plumbing Kit Parts List

Triple Flowmeter Module

Kit Number: 515-00-030100

Kit Description: Triple Flowmeter - 1/4" QC Outlet

Kit Number: 515-00-030200

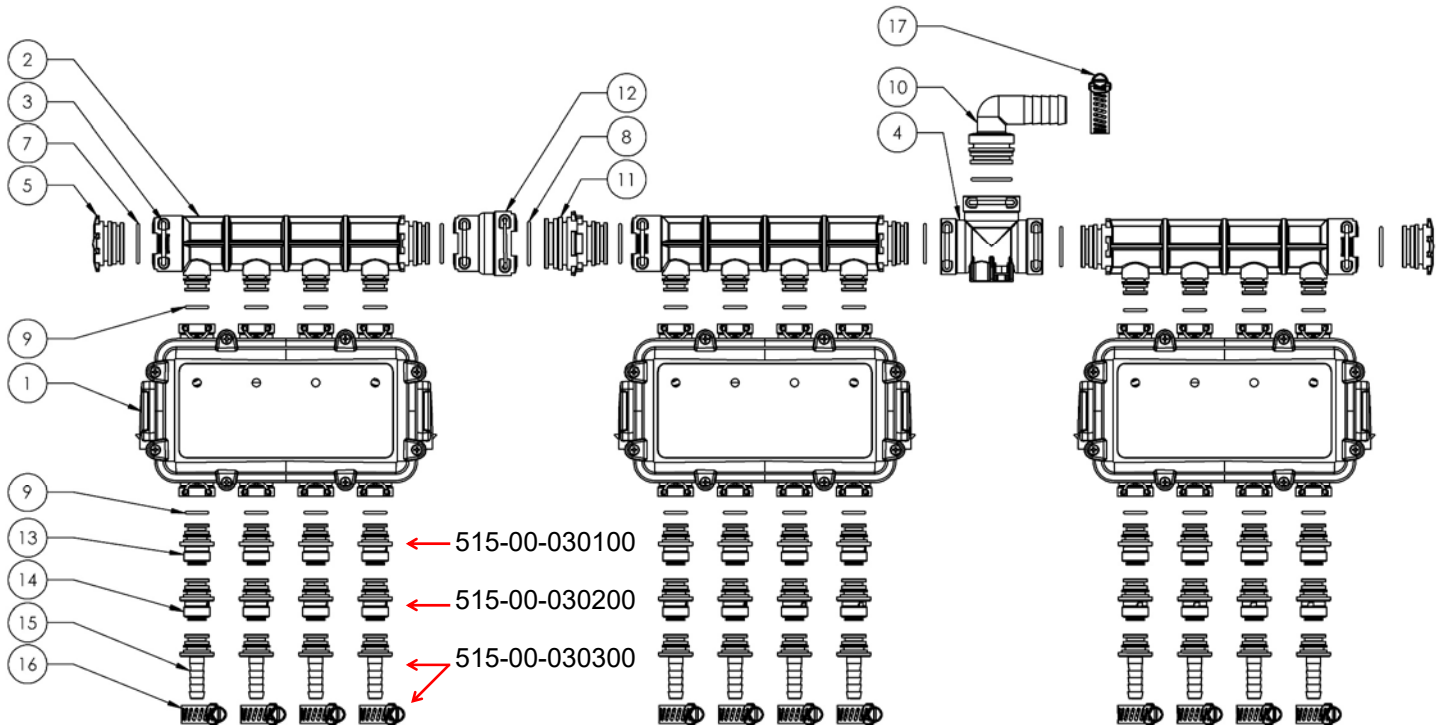
Kit Description: Triple Flowmeter - 3/8" QC Outlet

Kit Number: 515-00-030300

Kit Description: Triple Flowmeter - 3/8" HB Outlet

Note: Kit numbers listed and parts list are for retrofit kits. New system kits will be almost identical, but will include all parts required for a full system installation.

ITEM NO.	PART NUMBER	DESCRIPTION	QTY.
1	204-01-4625AAGB1B1	Sentinel™ Flowmeter Module	3
2	120-T3MT3F-4XT1M	T3 Male/Female Manifold w/ (4)T1 Male Outlets	3
3	124-02-010003	T3 Fork	7
4	120-T3FTEE	T3 Tee	1
5	120-T3MPLUG	T3 Male FC Plug	2
6	124-02-010004	T4 Fork	1
7	124-01-G11058-V	Viton O-Ring for T3 fittings	7
8	124-01-G11054-V	Viton O-Ring for T4 fittings	1
9	124-01-G11056-V	Viton O-Ring for T1 fittings	24
10	121-T3M075-90	T3 Male FC x 3/4" HB - 90 degree	1
11	120-T4MT3MRN	T4 Male x T3 Male FC Reducer Nipple	1
12	120-T4FT3FRC	T4 Female x T3 Female FC Reducer Coupling	1
13	120-T1M025QC	T1 Male x 1/4" QC	12
14	120-T1M038QC	T1 Male x 3/8" QC	12
15	121-T1M038	T1 Male FC x 3/8" HB	12
16	350-0605	SS Hose Clamp - Size 6 - 7/8" Diameter	12
17	350-1208	SS Hose Clamp - Size 12 - 1-1/4" Diameter	1
18	1384-1105	Hardware Kit - 5/16" x 1" Bolt & Flange Nuts	3





Plumbing Kit Parts List

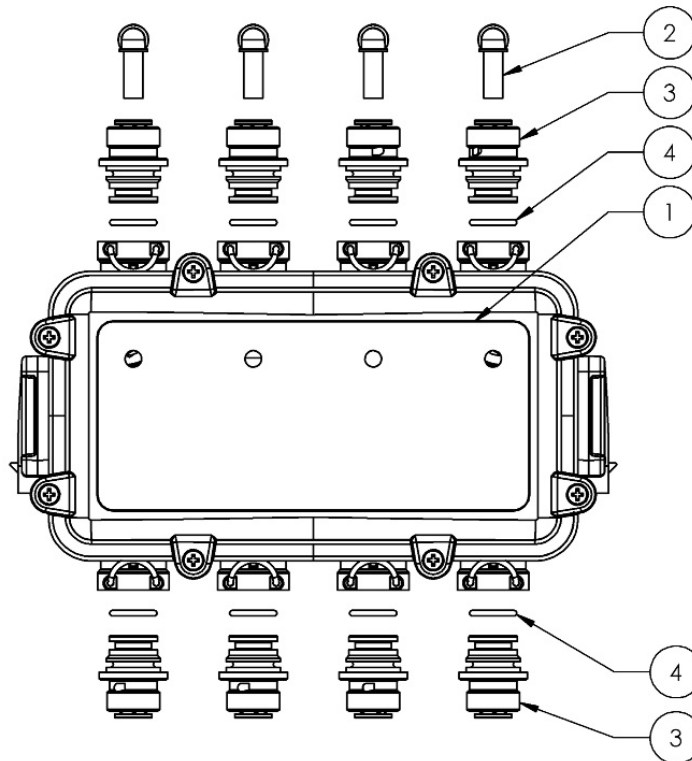
Single Row Kits

Kit Number: 515-00-100100

Kit Description: Sentinel Flowmeter Kit with 1/4" QC Inlet and Outlet

Note: Kit numbers listed and parts list are for retrofit kits. New system kits will be almost identical, but will include all parts required for a full system installation.

ITEM NO.	PART NUMBER	DESCRIPTION	QTY.
1	204-01-4625AAGB1B1	Sentinel™ Flowmeter Module	1
2	113-02-025025	Stem Elbow - 1/4" Stem x 1/4" QC	4
3	120-T1M025QC	T1 Male x 1/4" QC	8
4	124-01-G11056-V	Viton O-Ring for T1 fittings	16
5	384-1105	Hardware Kit - 5/16" x 1" Bolt & Flange Nuts	2





Plumbing Kit Parts List

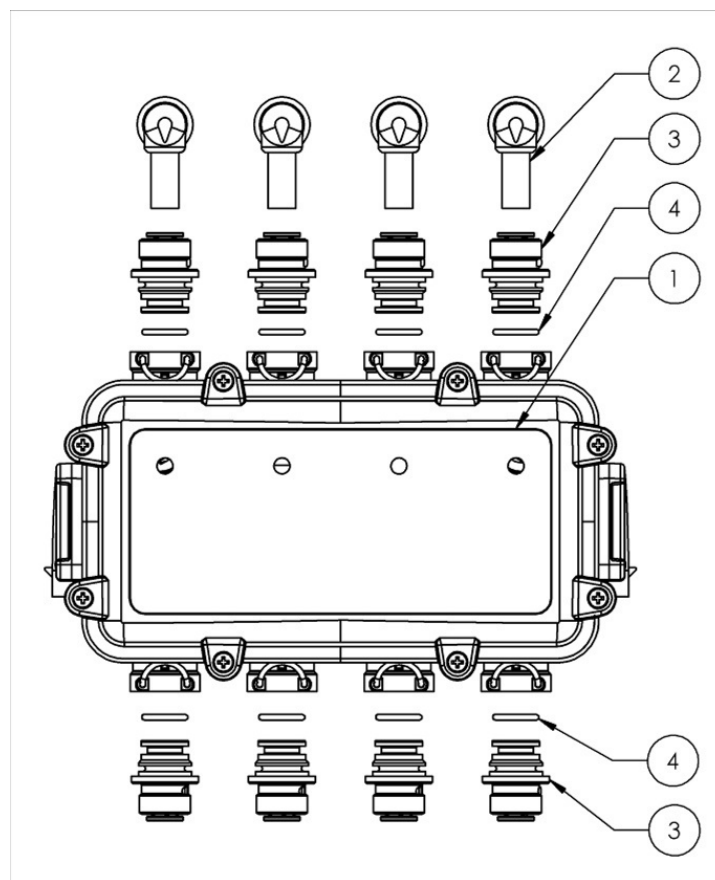
Single Row Kits

Kit Number: 515-00-100200

Kit Description: Sentinel Flowmeter Kit with 3/8" QC Inlet and Outlet

Note: Kit numbers listed and parts list are for retrofit kits. New system kits will be almost identical, but will include all parts required for a full system installation.

ITEM NO.	PART NUMBER	DESCRIPTION	QTY.
1	204-01-4625AAGB1B1	Sentinel™ Flowmeter Module	1
2	113-12-038038	Stem Elbow - 3/8" Stem x 3/8" QC	4
3	120-T1M038QC	T1 Male x 3/8" QC	8
4	124-01-G11056-V	Viton O-Ring for T1 fittings	16
5	384-1105	Hardware Kit - 5/16" x 1" Bolt & Flange Nuts	2





Plumbing Kit Parts List

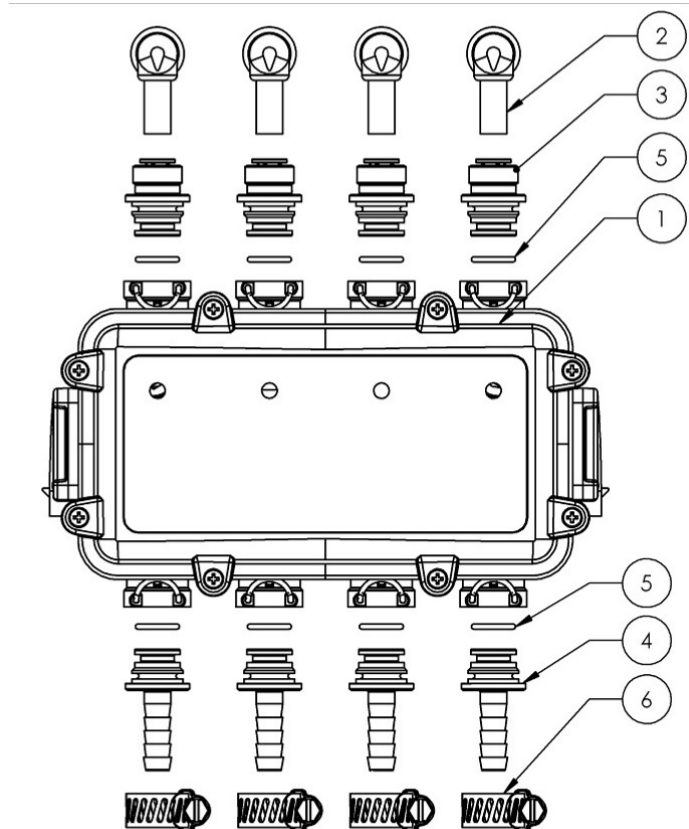
Single Row Kits

Kit Number: 515-00-100250

Kit Description: Sentinel Flowmeter Kit with 3/8" QC Inlet and 3/8" HB Outlet

Note: Kit numbers listed and parts list are for retrofit kits. New system kits will be almost identical, but will include all parts required for a full system installation.

ITEM NO.	PART NUMBER	DESCRIPTION	QTY.
1	204-01-4625AAGB1B1	Sentinel™ Flowmeter Module	1
2	113-12-038038	Stem Elbow - 3/8" Stem x 3/8" QC	4
3	120-T1M038QC	T1 Male x 3/8" QC	4
4	121-T1M038	T1 Male FC x 3/8" HB	4
5	124-01-G11056-V	Viton O-Ring for T1 fittings	8
6	350-0605	SS Hose Clamp - Size 6 - 7/8" Diameter	4
7	384-1105	Hardware Kit - 5/16" x 1" Bolt & Flange Nuts	1





Plumbing Kit Parts List

Single Row Kits

Kit Number: 515-00-100300

Kit Description: Sentinel Flowmeter Kit with 3/8" HB Inlet and Outlet

Note: Kit numbers listed and parts list are for retrofit kits. New system kits will be almost identical, but will include all parts required for a full system installation.

ITEM NO.	PART NUMBER	DESCRIPTION	QTY.
1	204-01-4625AAGB1B1	Sentinel™ Flowmeter Module	1
2	113-01-038038	3/8" Stem x 3/8" HB	4
3	113-12-038038	Stem Elbow - 3/8" Stem x 3/8" QC	4
4	120-T1M038QC	T1 Male x 3/8" QC	4
5	121-T1M038	T1 Male FC x 3/8" HB	4
6	124-01-G11056-V	Viton O-Ring for T1 fittings	8
7	350-0605	SS Hose Clamp - Size 6 - 7/8" Diameter	4
8	384-1105	Hardware Kit - 5/16" x 1" Bolt & Flange Nuts	1

