



# 396-2938Y1

## Sentinel™ Flowmeter Module Mounting Bracket and Plumbing Kit Installation Instructions



### **Kit Number:**

**515-02-100201: 4 Row Sentinel™ Flowmeter Mounting Bracket**

**515-02-100202: 8 Row Sentinel™ Flowmeter Mounting Bracket**

**515-02-100203: 12 Row Sentinel™ Flowmeter Mounting Bracket**

*(Plumbing fittings shown may vary)*



# Mounting Bracket Parts List

## Standard Mounting Bracket Kits

Use with Add-On brackets (page 5) or Dual Check Valve Mounting Brackets

**Kit Number: 515-02-100201**

**Kit Description: 4 Row Sentinel™ Flowmeter Module Mounting Bracket**

ITEM NO.	PART NUMBER	DESCRIPTION	QTY.
1	400-2837Y1-BK	Sentinel™ Flowmeter Module Mounting Bracket - 4 Row	1
2	380-XXXX	Square Bend U-Bolt Kit	1

**Kit Number: 515-02-100202**

**Kit Description: 8 Row Sentinel™ Flowmeter Module Mounting Bracket**

ITEM NO.	PART NUMBER	DESCRIPTION	QTY.
1	400-2839Y1-BK	Sentinel™ Flowmeter Module Mounting Bracket - 8 Row	1
2	380-XXXX	Square Bend U-Bolt Kit	1

**Kit Number: 515-02-100203**

**Kit Description: 12 Row Sentinel™ Flowmeter Module Mounting Bracket**

ITEM NO.	PART NUMBER	DESCRIPTION	QTY.
1	400-2841Y1-BK	Sentinel™ Flowmeter Module Mounting Bracket - 12 Row	1
2	380-XXXX	Square Bend U-Bolt Kit	1

## Low-Profile Mounting Bracket Kits

Use when mounting individual check valve at the row  
(Bracket has no additional mounting capability)

**Kit Number: 515-02-200201**

**Kit Description: 4 Row Sentinel™ Flowmeter Low-Profile Mounting Bracket**

ITEM NO.	PART NUMBER	DESCRIPTION	QTY.
1	400-3982Y1-BK	Low-Profile Sentinel™ Flowmeter Module Mounting Bracket - 4 Row	1
2	380-XXXX	Square Bend U-Bolt Kit	1

**Kit Number: 515-02-200202**

**Kit Description: 8 Row Sentinel™ Flowmeter Low-Profile Mounting Bracket**

ITEM NO.	PART NUMBER	DESCRIPTION	QTY.
1	400-3983Y1-BK	Low-Profile Sentinel™ Flowmeter Module Mounting Bracket - 8 Row	1
2	380-XXXX	Square Bend U-Bolt Kit	1

**Kit Number: 515-02-200203**

**Kit Description: 12 Row Sentinel™ Flowmeter Low-Profile Mounting Bracket**

ITEM NO.	PART NUMBER	DESCRIPTION	QTY.
1	400-3984Y1-BK	Low-Profile Sentinel™ Flowmeter Module Mounting Bracket - 12 Row	1
2	380-XXXX	Square Bend U-Bolt Kit	1

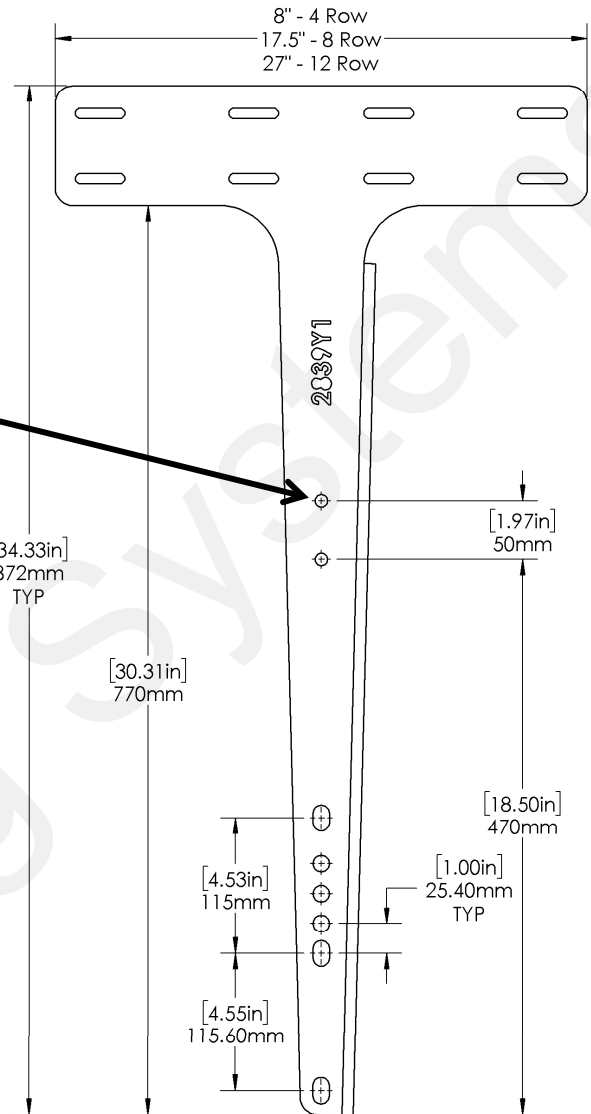


# Mounting Bracket Dimensions

## Standard Mounting Bracket Kits

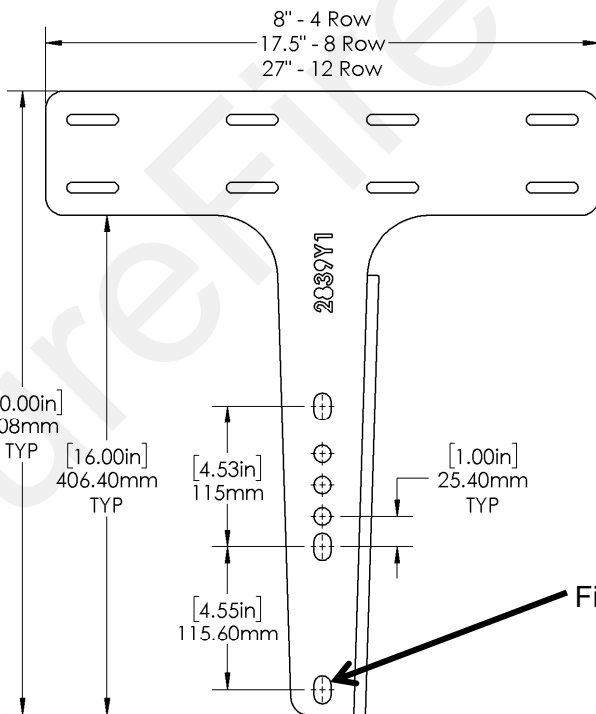
Use with Add-On brackets (page 5) or Dual Check Valve Mounting Brackets

Add-On brackets (page 5) or Dual Check Valve Mounting Bracket holes



## Low-Profile Mounting Bracket Kits

Use when mounting individual check valve at the row (Bracket has no additional mounting capability)



Fits 4-7" Toolbar



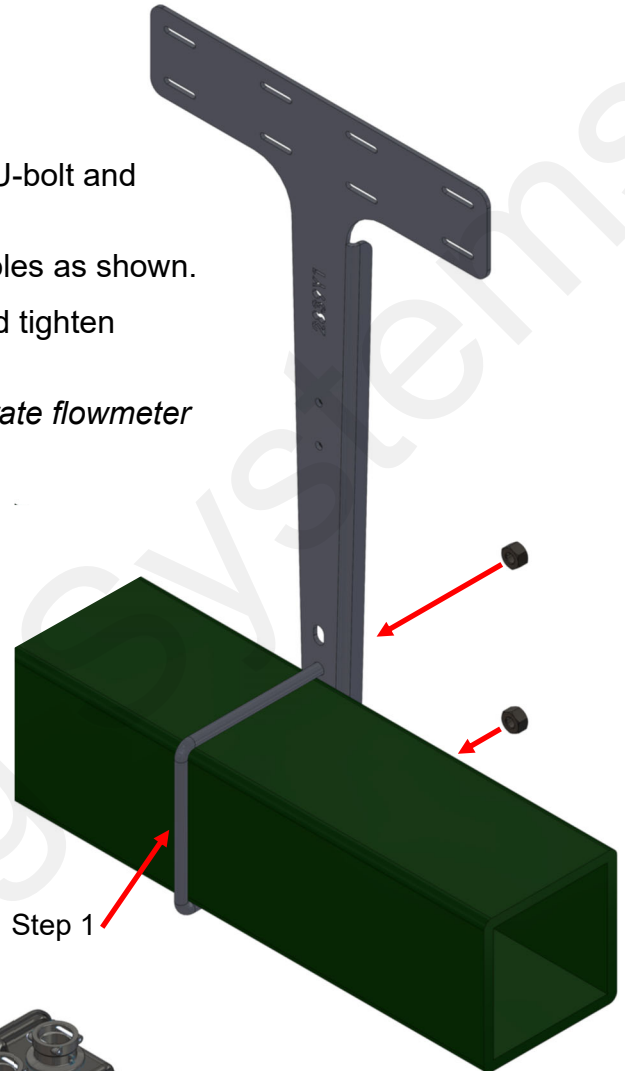
# Step by Step Instructions

1. Attach T-Bracket to implement frame using included U-bolt and check for clearance.
2. Insert head of 5/16" bolts into flowmeter integrated holes as shown.
3. Attach Sentinel™ Flowmeter Module to T-Bracket and tighten flange nuts as shown. Do not to overtighten.

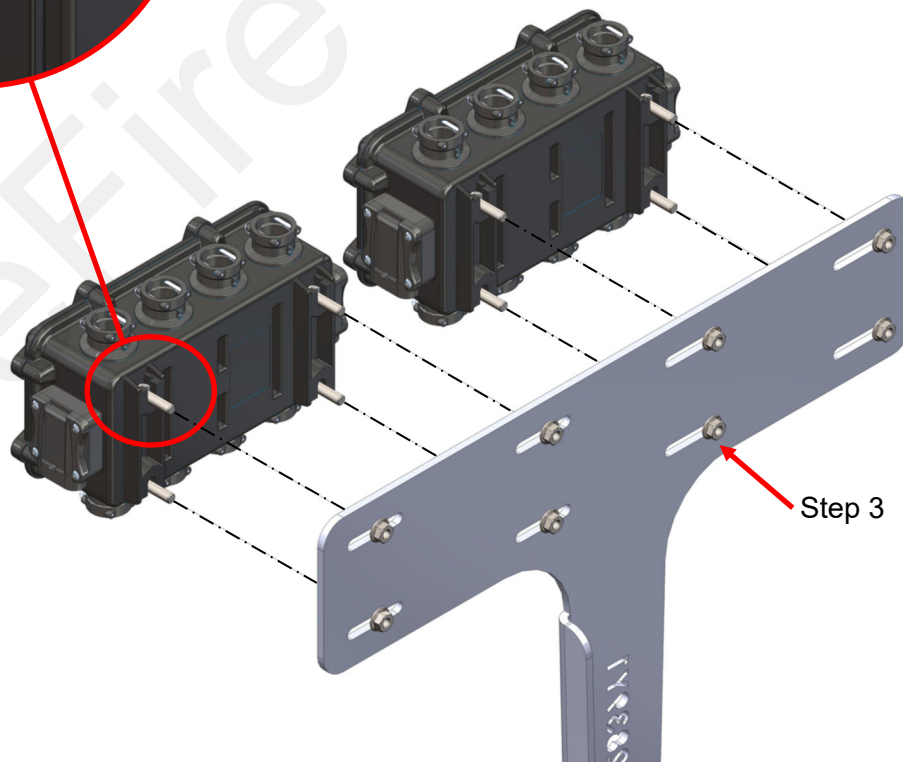
*Note: 5/16" bolts and flange nuts are included with separate flowmeter kit.*



Step 2



Step 1



Step 3



## Optional Items that may be suggested for this equipment

**Kit Description: Additional Flowmeter Mounting Bracket Kit - 4 Row**  
**Kit Number: 515-02-100701**

ITEM NO.	PART NUMBER	DESCRIPTION	QTY.
1	400-2838Y1	Additional Sentinel™ Flowmeter Module Mounting Bracket - 4 Row	1
2	300-060100-5	3/8" x 1" Hex Head Bolt - G5	2
3	323-06	3/8" Flange Nut	2

**Kit Description: Additional Flowmeter Mounting Bracket Kit - 8 Row**  
**Kit Number: 515-02-100702**

ITEM NO.	PART NUMBER	DESCRIPTION	QTY.
1	400-2840Y1	Additional Sentinel™ Flowmeter Module Mounting Bracket - 8 Row	1
2	300-060100-5	3/8" x 1" Hex Head Bolt - G5	2
3	323-06	3/8" Flange Nut	2

**Kit Description: Additional Flowmeter Mounting Bracket Kit - 12 Row**  
**Kit Number: 515-02-100703**

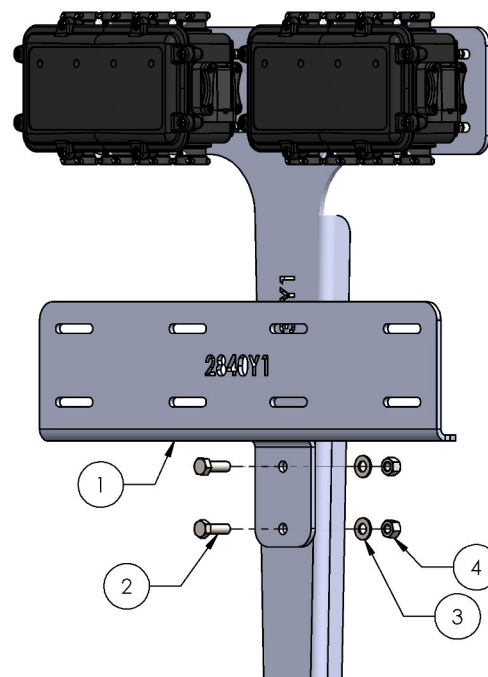
ITEM NO.	PART NUMBER	DESCRIPTION	QTY.
1	400-2842Y1	Additional Sentinel™ Flowmeter Module Mounting Bracket - 12 Row	1
2	300-060100-5	3/8" x 1" Hex Head Bolt - G5	2
3	323-06	3/8" Flange Nut	2

**Mounting Instructions:**

*These same instructions apply to all sizes/kits.*

1. Attach additional flowmeter mounting bracket to T-Bracket using 3/8" bolts, washers and nylock nuts as shown.
2. Attach Sentinel™ Flowmeter to additional bracket and tighten flange nuts. (Step 3, Page 3)

*Note: 3/8" bolts and flange nuts are included with separate flowmeter kit.*





# Plumbing Kit Parts List Single Flowmeter Module

**Kit Number:** 515-00-010100

**Kit Description:** Single Flowmeter - 1/4" QC Outlet

**Kit Number:** 515-00-010200

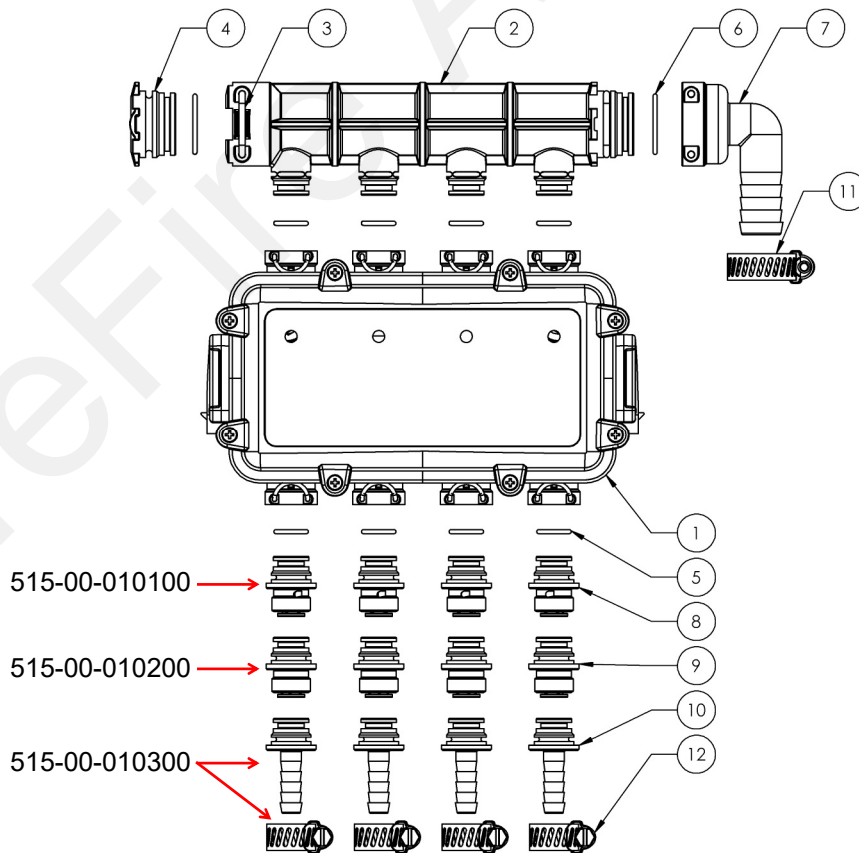
**Kit Description:** Single Flowmeter - 3/8" QC Outlet

**Kit Number:** 515-00-010300

**Kit Description:** Single Flowmeter - 3/8" HB Outlet

*Note: Kit numbers listed and parts list are for retrofit kits. New system kits will be almost identical, but will include all parts required for a full system installation.*

ITEM NO.	PART NUMBER	DESCRIPTION	QTY.
1	204-01-4625AAGB1B1	Sentinel™ Flowmeter Module	1
2	120-T3MT3F-4XT1M	T3 Male/Female Manifold w/ (4)T1 Male Outlets	1
3	124-02-010003	T3 Fork	2
4	120-T3MPLUG	T3 Male FC Plug	1
5	124-01-G11056-V	Viton O-Ring for T1 fittings	8
6	124-01-G11058-V	Viton O-Ring for T3 fittings	2
7	121-T3F075-90	T3 Female FC x 3/4" HB - 90 Degree	1
8	120-T1M025QC	T1 Male x 1/4" QC	4
9	120-T1M038QC	T1 Male x 3/8" QC	4
10	121-T1M038	T1 Male FC x 3/8" HB	4
11	350-1208	SS Hose Clamp - Size 12 - 1-1/4" Diameter	1
12	350-0605	SS Hose Clamp - Size 6 - 7/8" Diameter	4
13	384-1105	Hardware Kit - 5/16" x 1" Bolt & Flange Nuts	1





# Plumbing Kit Parts List Dual Flowmeter Module

**Kit Number:** 515-00-020100

**Kit Description:** Dual Flowmeter - 1/4" QC Outlet

**Kit Number:** 515-00-020200

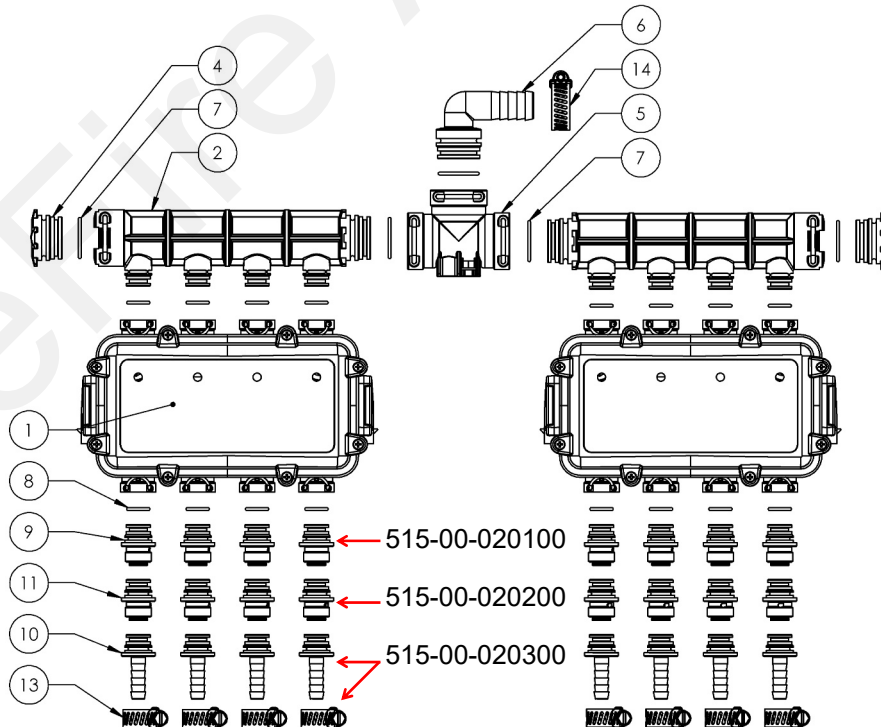
**Kit Description:** Dual Flowmeter - 3/8" QC Outlet

**Kit Number:** 515-00-020300

**Kit Description:** Dual Flowmeter - 3/8" HB Outlet

*Note: Kit numbers listed and parts list are for retrofit kits. New system kits will be almost identical, but will include all parts required for a full system installation.*

ITEM NO.	PART NUMBER	DESCRIPTION	QTY.
1	204-01-4625AAGB1B1	Sentinel™ Flowmeter Module	2
2	120-T3MT3F-4XT1M	T3 Male/Female Manifold w/ (4)T1 Male Outlets	2
3	124-02-010003	T3 Fork	5
4	120-T3MPLUG	T3 Male FC Plug	2
5	120-T3FTEE	T3 Tee	1
6	121-T3M075-90	T3 Male FC x 3/4" HB - 90 degree	1
7	124-01-G11058-V	Viton O-Ring for T3 fittings	5
8	124-01-G11056-V	Viton O-Ring for T1 fittings	16
9	120-T1M025QC	T1 Male x 1/4" QC	8
10	121-T1M038	T1 Male FC x 3/8" HB	8
11	120-T1M038QC	T1 Male x 3/8" QC	8
12	384-1105	Hardware Kit - 5/16" x 1" Bolt & Flange Nuts	2
13	350-0605	SS Hose Clamp - Size 6 - 7/8" Diameter	8
14	350-1208	SS Hose Clamp - Size 12 - 1-1/4" Diameter	1





# Plumbing Kit Parts List Triple Flowmeter Module

**Kit Number: 515-00-030100**

**Kit Description: Triple Flowmeter - 1/4" QC Outlet**

**Kit Number: 515-00-030200**

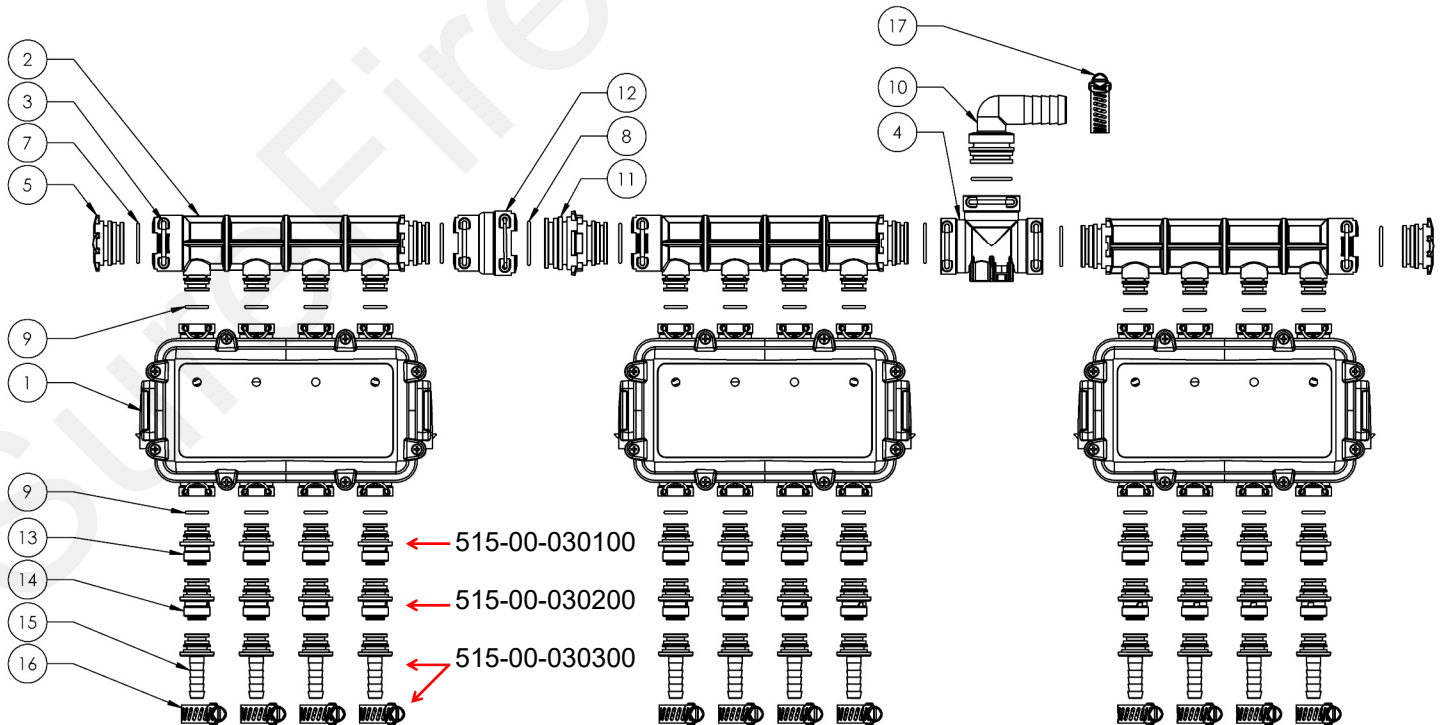
**Kit Description: Triple Flowmeter - 3/8" QC Outlet**

**Kit Number: 515-00-030300**

**Kit Description: Triple Flowmeter - 3/8" HB Outlet**

*Note: Kit numbers listed and parts list are for retrofit kits. New system kits will be almost identical, but will include all parts required for a full system installation.*

ITEM NO.	PART NUMBER	DESCRIPTION	QTY.
1	204-01-4625AAGB1B1	Sentinel™ Flowmeter Module	3
2	120-T3MT3F-4XT1M	T3 Male/Female Manifold w/ (4)T1 Male Outlets	3
3	124-02-010003	T3 Fork	7
4	120-T3FTEE	T3 Tee	1
5	120-T3MPLUG	T3 Male FC Plug	2
6	124-02-010004	T4 Fork	1
7	124-01-G11058-V	Viton O-Ring for T3 fittings	7
8	124-01-G11054-V	Viton O-Ring for T4 fittings	1
9	124-01-G11056-V	Viton O-Ring for T1 fittings	24
10	121-T3M075-90	T3 Male FC x 3/4" HB - 90 degree	1
11	120-T4MT3MRN	T4 Male x T3 Male FC Reducer Nipple	1
12	120-T4FT3FRC	T4 Female x T3 Female FC Reducer Coupling	1
13	120-T1M025QC	T1 Male x 1/4" QC	12
14	120-T1M038QC	T1 Male x 3/8" QC	12
15	121-T1M038	T1 Male FC x 3/8" HB	12
16	350-0605	SS Hose Clamp - Size 6 - 7/8" Diameter	12
17	350-1208	SS Hose Clamp - Size 12 - 1-1/4" Diameter	1
18	1384-1105	Hardware Kit - 5/16" x 1" Bolt & Flange Nuts	3







# Plumbing Kit Parts List

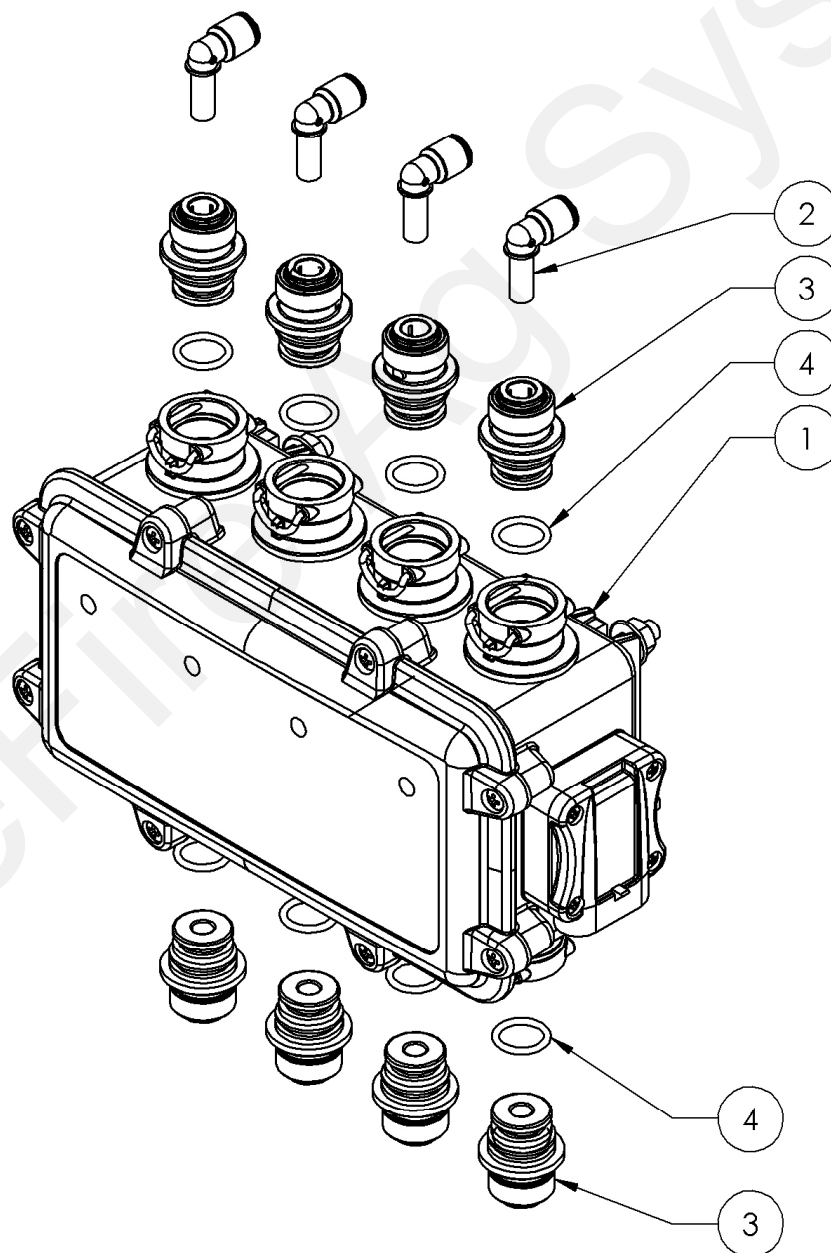
## Single Row Kits

**Kit Number:** 515-00-100100

**Kit Description:** Sentinel Flowmeter Kit with 1/4" QC Inlet and Outlet

*Note: Kit numbers listed and parts list are for retrofit kits. New system kits will be almost identical, but will include all parts required for a full system installation.*

ITEM NO.	PART NUMBER	DESCRIPTION	QTY.
1	204-01-4625AAGB1B1	Sentinel™ Flowmeter Module	1
2	113-02-025025	Stem Elbow - 1/4" Stem x 1/4" QC	4
3	120-T1M025QC	T1 Male x 1/4" QC	8
4	124-01-G11056-V	Viton O-Ring for T1 fittings	16
5	384-1105	Hardware Kit - 5/16" x 1" Bolt & Flange Nuts	2





# Plumbing Kit Parts List

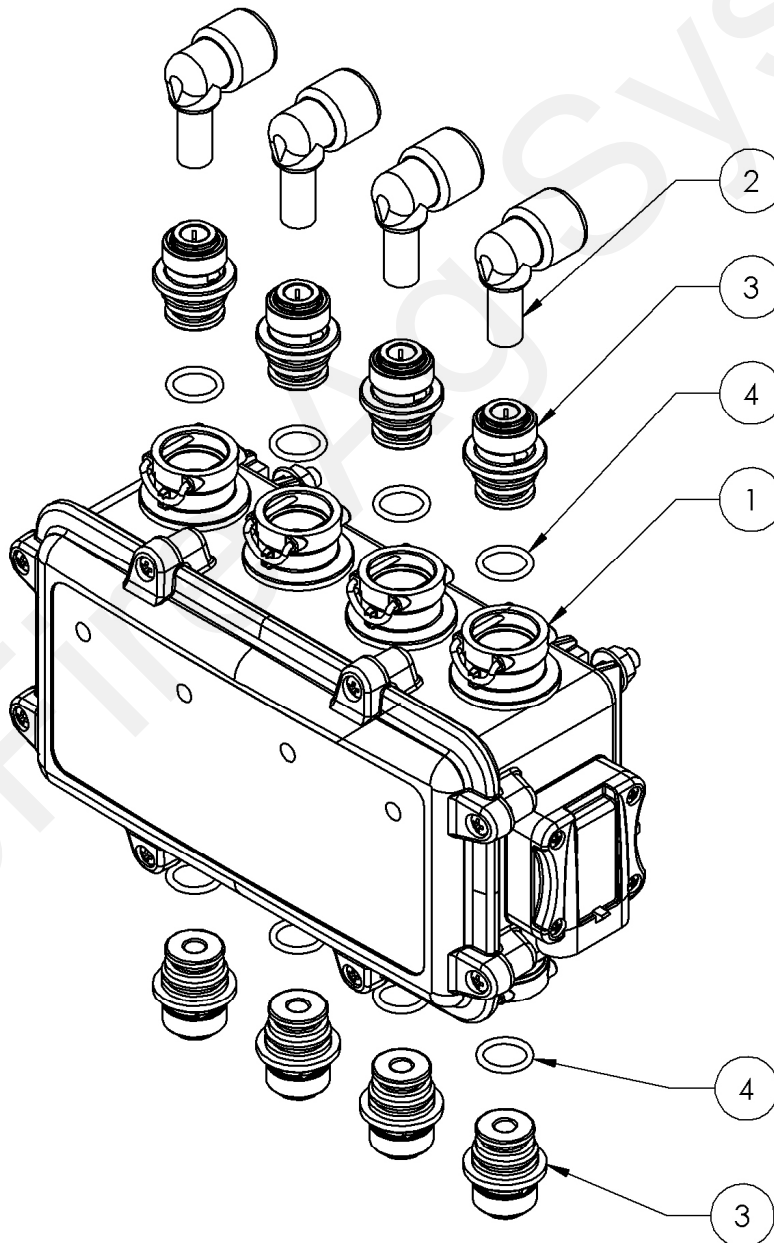
## Single Row Kits

**Kit Number:** 515-00-100200

**Kit Description:** Sentinel Flowmeter Kit with 3/8" QC Inlet and Outlet

*Note: Kit numbers listed and parts list are for retrofit kits. New system kits will be almost identical, but will include all parts required for a full system installation.*

ITEM NO.	PART NUMBER	DESCRIPTION	QTY.
1	204-01-4625AAGB1B1	Sentinel™ Flowmeter Module	1
2	113-12-038038	Stem Elbow - 3/8" Stem x 3/8" QC	4
3	120-T1M038QC	T1 Male x 3/8" QC	8
4	124-01-G11056-V	Viton O-Ring for T1 fittings	16
5	384-1105	Hardware Kit - 5/16" x 1" Bolt & Flange Nuts	2





# Plumbing Kit Parts List

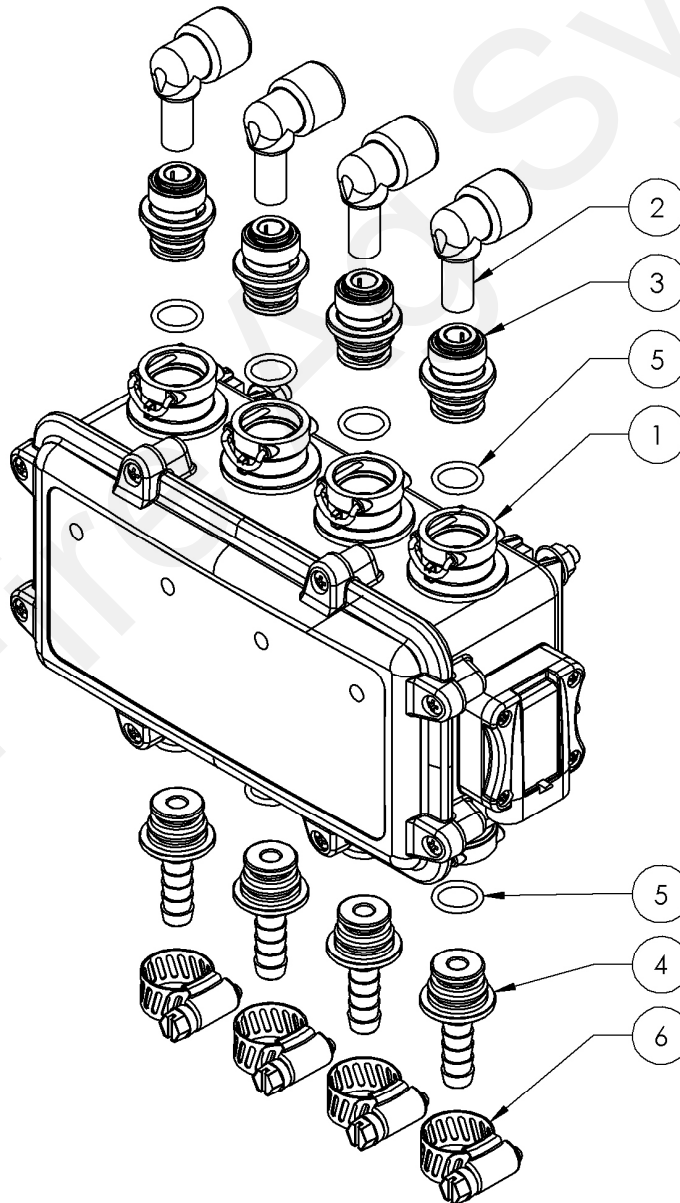
## Single Row Kits

**Kit Number:** 515-00-100250

**Kit Description:** Sentinel Flowmeter Kit with 3/8" QC Inlet and 3/8" HB Outlet

*Note: Kit numbers listed and parts list are for retrofit kits. New system kits will be almost identical, but will include all parts required for a full system installation.*

ITEM NO.	PART NUMBER	DESCRIPTION	QTY.
1	204-01-4625AAGB1B1	Sentinel™ Flowmeter Module	1
2	113-12-038038	Stem Elbow - 3/8" Stem x 3/8" QC	4
3	120-T1M038QC	T1 Male x 3/8" QC	4
4	121-T1M038	T1 Male FC x 3/8" HB	4
5	124-01-G11056-V	Viton O-Ring for T1 fittings	8
6	350-0605	SS Hose Clamp - Size 6 - 7/8" Diameter	4
7	384-1105	Hardware Kit - 5/16" x 1" Bolt & Flange Nuts	1





# Plumbing Kit Parts List

## Single Row Kits

**Kit Number:** 515-00-100300

**Kit Description:** Sentinel Flowmeter Kit with 3/8" HB Inlet and Outlet

*Note: Kit numbers listed and parts list are for retrofit kits. New system kits will be almost identical, but will include all parts required for a full system installation.*

ITEM NO.	PART NUMBER	DESCRIPTION	QTY.
1	204-01-4625AAGB1B1	Sentinel™ Flowmeter Module	1
2	113-01-038038	3/8" Stem x 3/8" HB	4
3	113-12-038038	Stem Elbow - 3/8" Stem x 3/8" QC	4
4	120-T1M038QC	T1 Male x 3/8" QC	4
5	121-T1M038	T1 Male FC x 3/8" HB	4
6	124-01-G11056-V	Viton O-Ring for T1 fittings	8
7	350-0605	SS Hose Clamp - Size 6 - 7/8" Diameter	4
8	384-1105	Hardware Kit - 5/16" x 1" Bolt & Flange Nuts	1

