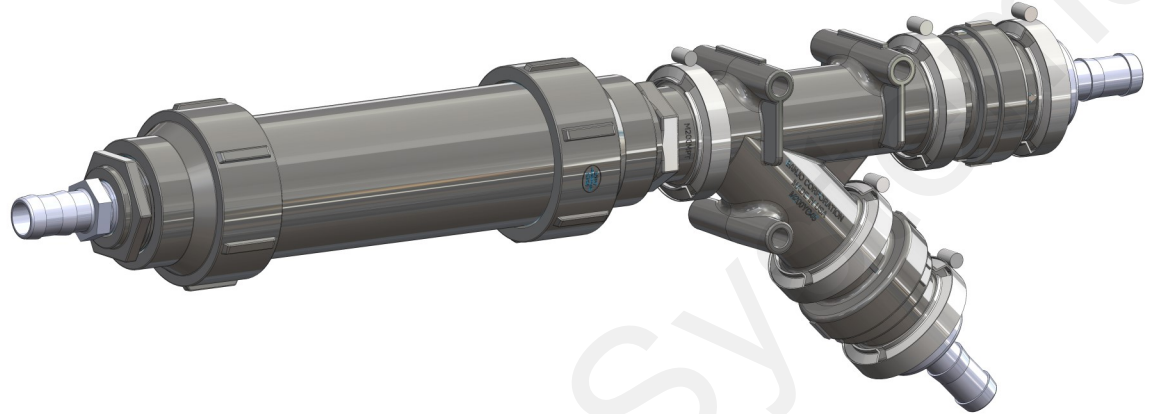




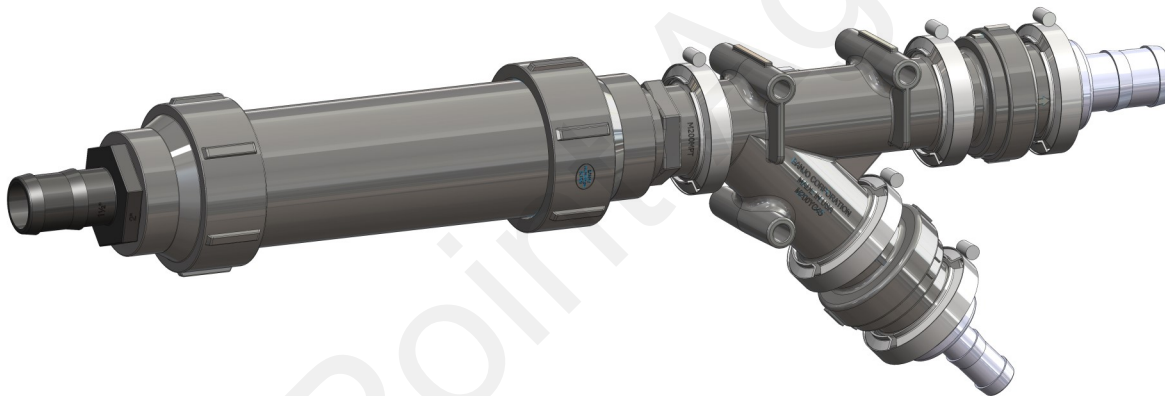
# 396-2917Y1

## 2" Poly Mixing Chamber Installation Instructions



**Kit Number:** 520-00-145150

**Kit Description:** 2" Mixing chamber with 1" HB Inlets and 1" HB Outlet



**Kit Number:** 520-00-145155

**Kit Description:** 2" Mixing Chamber with 1" & 1-1/2" HB Inlet and 1-1/2" HB Outlet



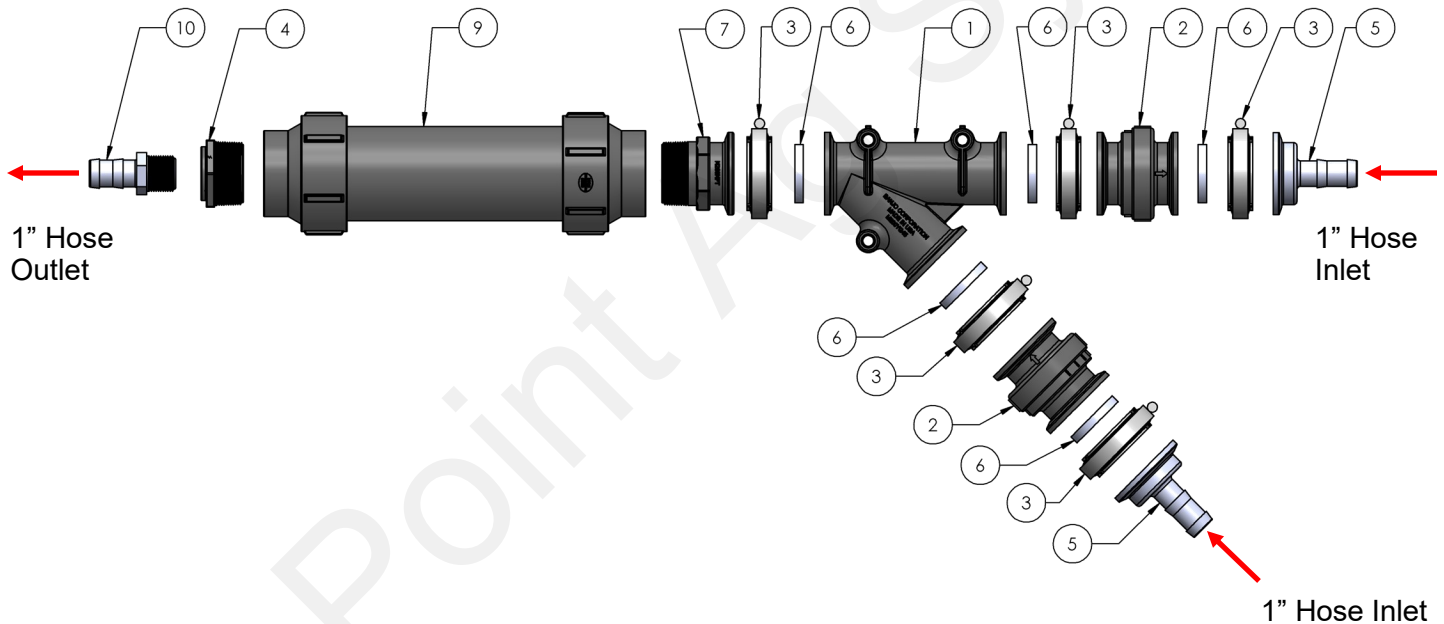
**Kit Number:** 520-00-145160

**Kit Description:** 2" Mixing Chamber with 1-1/2" HB & 3/8" QC Inlets and 1-1/2" HB Outlet



# Parts List and Exploded View Kit: 520-00-145150

ITEM NO.	PART NUMBER	DESCRIPTION	QTY.
1	105-200YG45	2" Manifold Y with 3/4" gauge port	1
2	136-MCV200	2" Poly Flanged Check Valve	2
3	105-FC200	2" Manifold Clamp	5
4	100-200100RB	2" MPT x 1" FPT Reducer Bushing	1
5	105-200100BRB	2" Flange x 1" Hose Barb	2
6	105-150G	1 1/2" EPDM Gasket	5
7	105-200MPT	2" Manifold x 2" MPT	1
8	100-075PLUG	3/4" Pipe Plug	1
9	716-01-100150	Poly 2" Mixing Chamber	1
10	101-100100	1" MPT x 1" HB	1



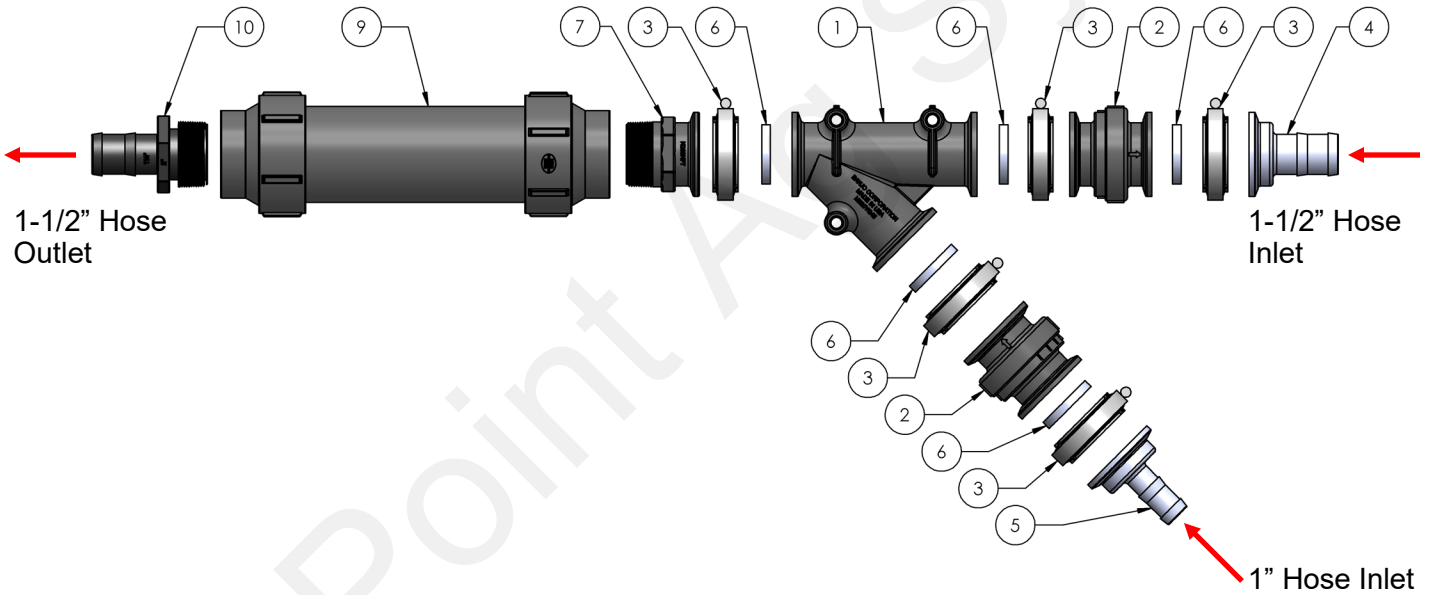
### General Instructions:

1. Assemble Mixing Chamber fittings as shown.
2. Connect hose coming from each pump (after the flowmeter) to inlet hose barbs.
3. Connect hose from system (Section Valves, LiquiShift, Flow Indicators, etc.) to outlet hose barb.



# Parts List and Exploded View Kit: 520-00-145155

ITEM NO.	PART NUMBER	DESCRIPTION	QTY.
1	105-200YG45	2" Manifold Y with 3/4" gauge port	1
2	136-MCV200	2" Poly Flanged Check Valve	2
3	105-FC200	2" Manifold Clamp	5
4	105-200150BRB	2" Manifold X 1-1/2" Barb	1
5	105-200100BRB	2" Flange x 1" Hose Barb	1
6	105-150G	1 1/2" EPDM Gasket	5
7	105-200MPT	2" Manifold x 2" MPT	1
8	100-075PLUG	3/4" Pipe Plug	1
9	716-01-100150	Poly 2" Mixing Chamber	1
10	101-200150	2" MPT x 1-1/2" HB	1



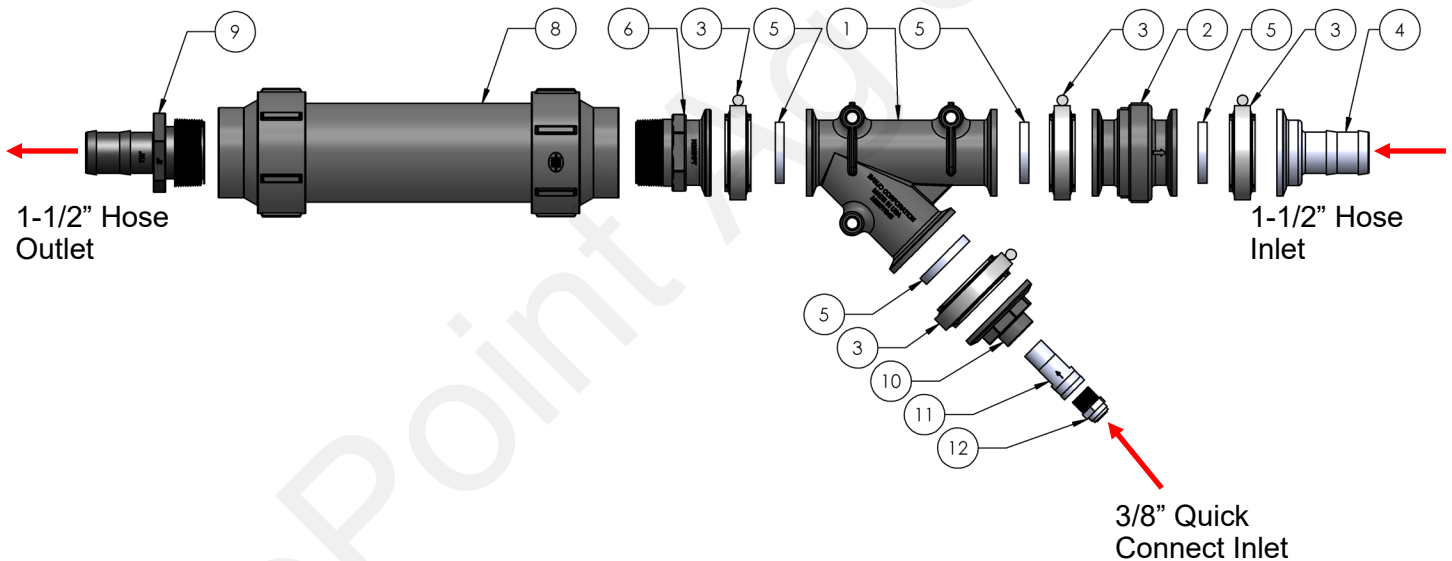
### General Instructions:

1. Assemble Mixing Chamber fittings as shown.
2. Connect hose coming from each pump (after the flowmeter) to inlet hose barbs.
3. Connect hose from system (Section Valves, LiquiShift, Flow Indicators, etc.) to outlet hose barb.



# Parts List and Exploded View Kit: 520-00-145160

ITEM NO.	PART NUMBER	DESCRIPTION	QTY.
1	105-200YG45	2" Manifold Y with 3/4" gauge port	1
2	136-MCV200	2" Poly Flanged Check Valve	1
3	105-FC200	2" Manifold Clamp	4
4	105-200150BRB	2" Manifold X 1-1/2" Barb	1
5	105-150G	1 1/2" EPDM Gasket	4
6	105-200MPT	2" Manifold x 2" MPT	1
7	100-075PLUG	3/4" Pipe Plug	1
8	716-01-100150	Poly 2" Mixing Chamber	1
9	101-200150	2" MPT x 1-1/2" HB	1
10	105-200PLG050	2" Manifold Plug x 1/2" FPT	1
11	716-333-0011-102	1/2" SS Check Valve—12PSI	1
12	113-06-038050	QC to MPT - 3/8" QC x 1/2" MPT	1



### General Instructions:

1. Assemble Mixing Chamber fittings as shown.
2. Connect hose coming from each pump (after the flowmeter) to inlet hose barbs or quick connect fitting.
3. Connect hose from system (Section Valves, LiquiShift® , Flow Indicators, etc.) to outlet hose barb.