



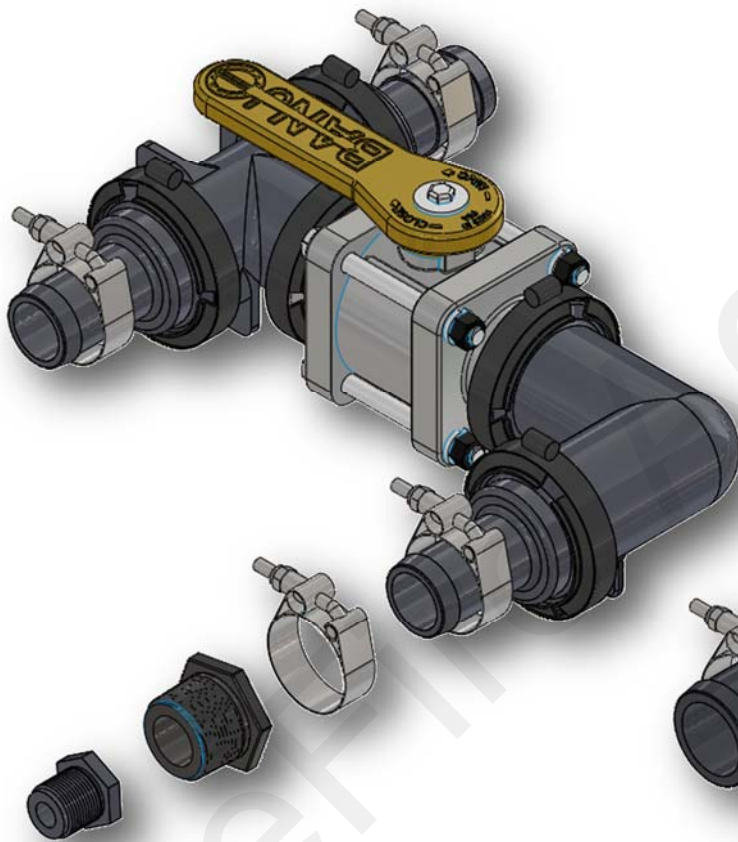
# 396-2888Y1

## Plumbing Discharge Kit Installation Instructions

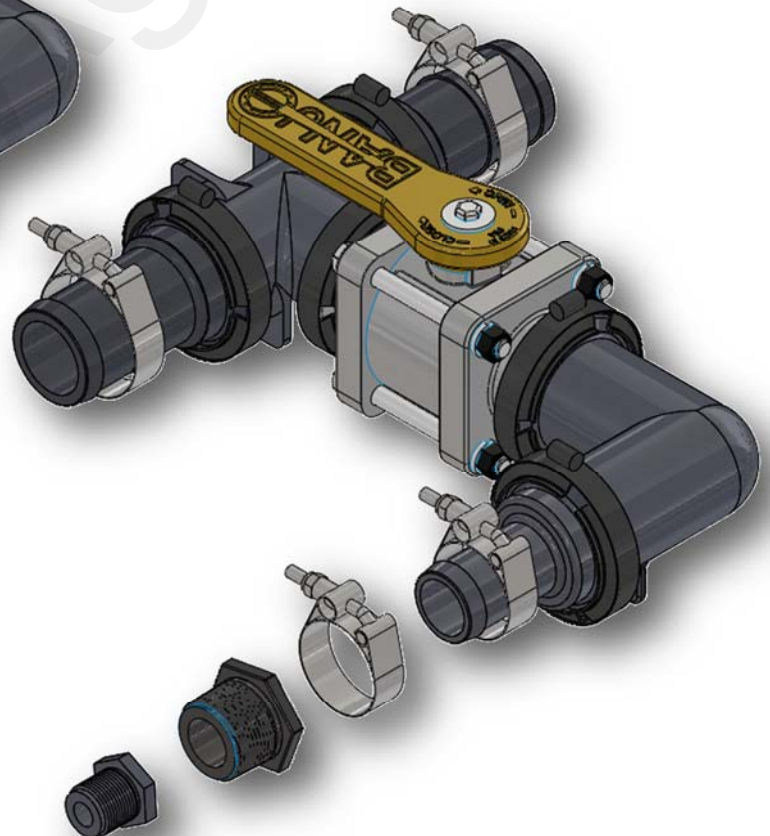
**Kit Number: 520-00-103600**

**Kit Description:**

*2" or 1-1/2" Fill Line to 1-1/2" Tie In Kit for D70 and D115 PumpRight*



**For use with 1-1/2" Fill Line**

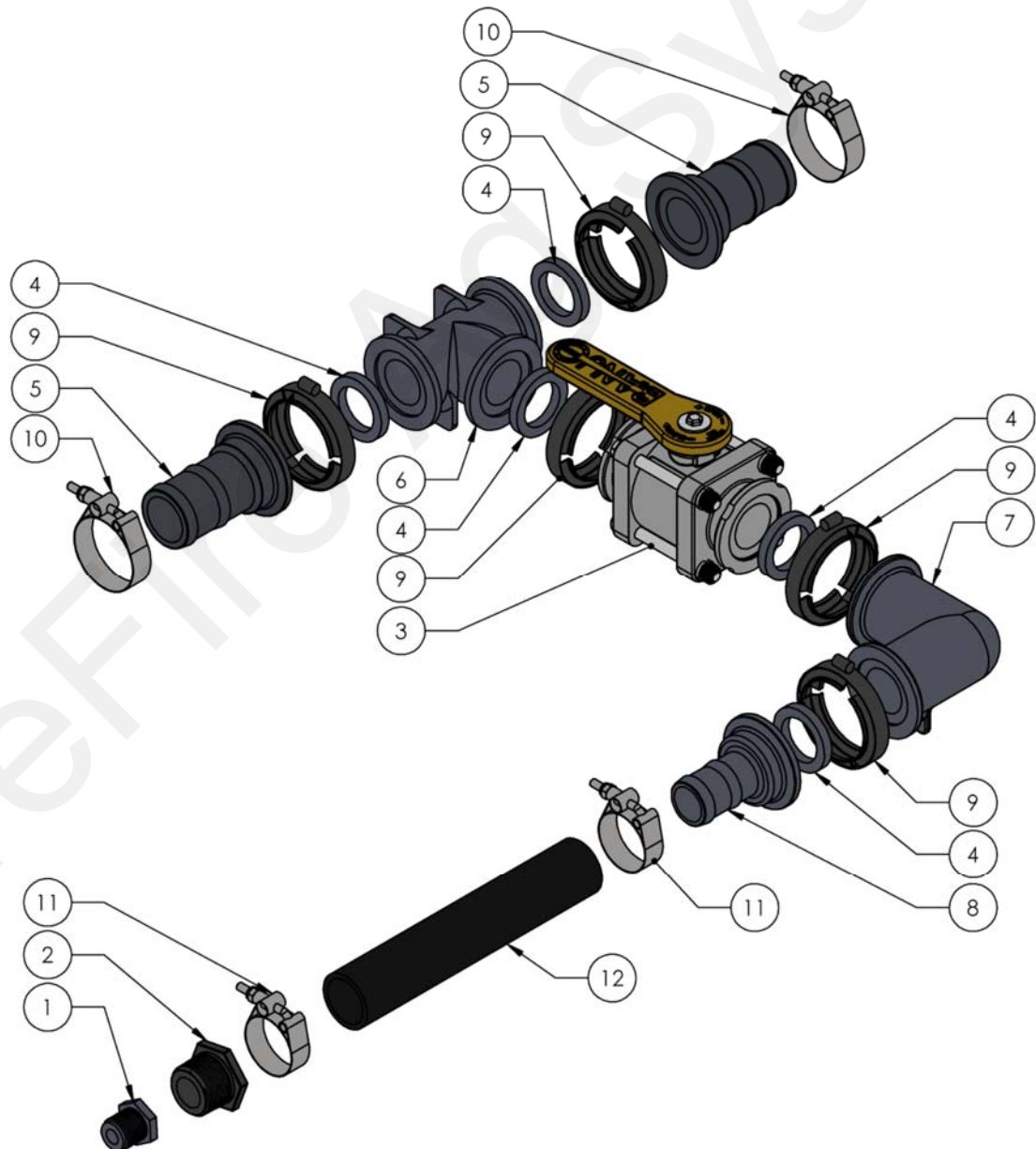


**For use with 2" Fill Line**



# Parts List and Exploded View

ITEM NO.	PART NUMBER	DESCRIPTION	QTY.
1	100-075PLUG	3/4" Pipe Plug	1
2	100-125PLUG	1-1/4" Pipe Plug	1
3	102-200MVCF	2" Manifold Standard Port Poly Valve	1
4	105-150G	1 1/2" EPDM Manifold Gasket for 200 Series	5
5	105-200BRB	2" Manifold x 2" HB	2
6	105-200TEE	2" Manifold Tee Fitting	1
7	105-200CPG90	2" Manifold Coupling - 90 Degree (Optional)	1
8	105-200150BRB	2" Manifold x 1-1/2" Barb	1
9	105-FC200	2" Manifold Clamp	5
10	350-TC231	T-Bolt Hose Clamp - 2.31 - 2.62" Diameter	2
11	350-TC181	T-Bolt Hose Clamp - 1.81 - 2.06" Diameter	2
12	280-150-ENF	1-1/2" Enforcer Fertilizer Solution Hose	1





# Step by Step Instructions

1. Assemble Discharge Kit as shown on previous page. (Item 7, 90° coupling is optional depending on implement.)
2. Using the correct size hose barbs for your fill kit, cut 2" or 1-1/2" fill line and insert the two hose barbs of the discharge kit into fill line. Tighten with hose clamps provided.
3. Included 3/4" and 1-1/4" plugs can be used as necessary to plug unused fill/discharge bung on tank.
4. Route provided 1-1/2" hose to D70 or D115 PumpRight systems. Tighten with hose clamps provided.

NOTE: Splice into the fill line where it will be convenient to close the valve while filling the tank.

